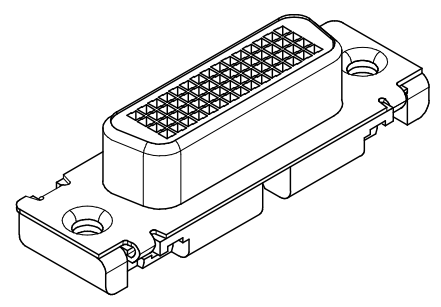
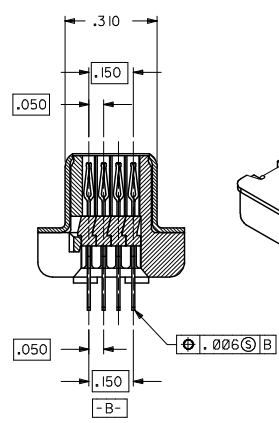
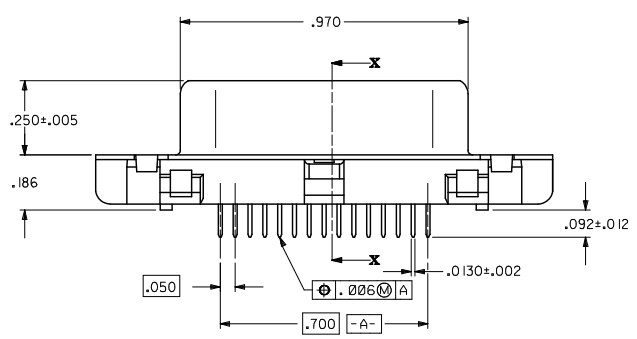
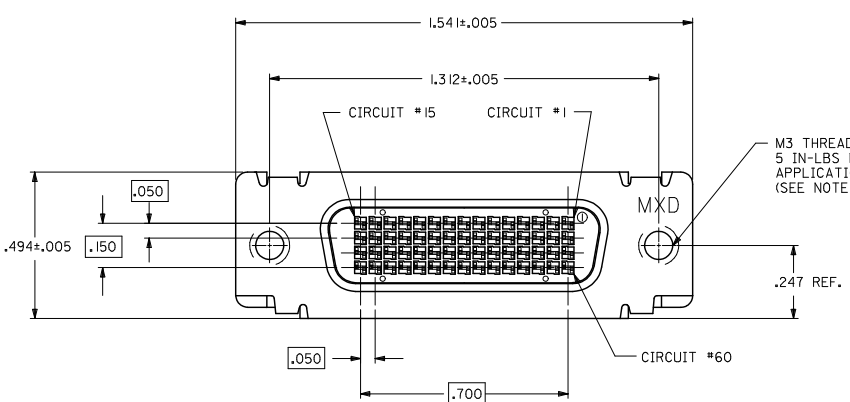


13 12 11 10 9 8 7 6 5 4 3 2 1

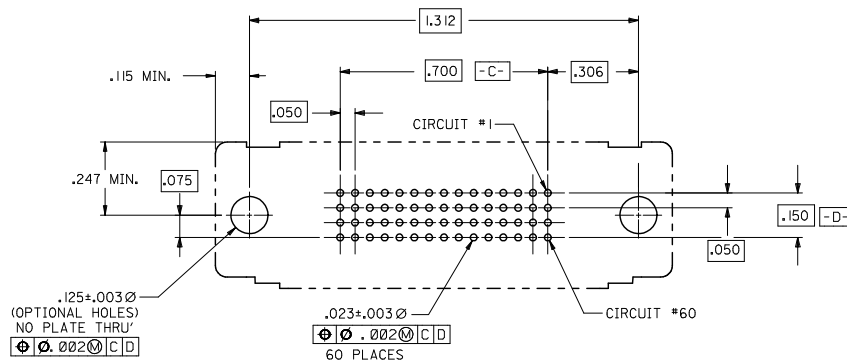


- NOTES:
- 1) MATERIALS:
 - HOUSING: GLASS FILLED LCP (LIQUID CRYSTAL POLYMER), UL 94V-0, COLOR: BLACK.
 - MOLDED STICK: GLASS FILLED LCP (LIQUID CRYSTAL POLYMER), UL 94V-0, COLOR: BLACK.
 - FEMALE TERMINAL: HIGH PERFORMANCE COPPER ALLOY
 - OUTER SHELL: DEEP DRAWN STEEL.
 - 2) PLATING :
 - TERMINAL: 30 microinches / 0.76 micrometer MIN. GOLD IN SELECTIVE AREA.
 - 100 microinches / 2.54 micrometer MIN. TIN IN SELECTIVE AREA.
 - OVER NICKEL UNDERPLATE OVERALL.
 - OUTER SHELL: 100 microinches / 2.54 MIN. BRIGHT NICKEL OVER COPPER FLASH (OPTIONAL)
 - 3) CONFORMS TO PRODUCT SPECIFICATION PS-70928.
 - 4) PARTS PACKAGED PK-70873-0291.
 - 5) THREAD GAUGE MAY REQUIRE UP TO 1 IN.-LB. OF TORQUE DURING GAUGING PROCESS.
 - 6) PART COMPLIES WITH CLASS B OF COSMETIC SPECIFICATION PS-45499-002

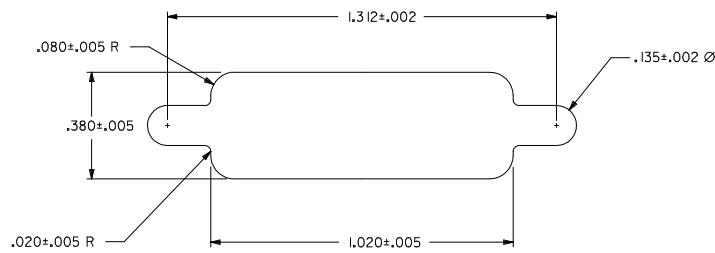
SECTION X-X

REVISE NOTES EIC NO.: LCP2010-0117 T: DRWNSDANIELLEY 2009/07/23 CHADKORGAN 2009/07/24 APPR: SHILLER 2009/07/24	QUALITY SYMBOLS ▽=0 ▽=0	GENERAL TOLERANCES (UNLESS SPECIFIED)		DIMENSION STYLE INCH ONLY		SCALE 4:1	DESIGN UNITS INCH	THIRD ANGLE PROJECTION	
		4 PLACES ±--- ±---	mm INCH	DRAWN BY MOS	DATE 1993/12/07	TITLE .050 PITCH CKT LFH VERTICAL I/O - M3 SHIELD RECEPTACLE			
		3 PLACES ±--- ±.010		CHECKED BY MOS	DATE 1993/12/07	MOLEX INCORPORATED			
		2 PLACES ±--- ±--- 1 PLACE ±--- ±---		APPROVED BY CAB	DATE 1993/12/07	MATERIAL NO. 70928-0002		DOCUMENT NO. SDA-70928-0002	SHEET NO. 1 OF 2
DRAFT WHERE APPLICABLE MUST REMAIN WITHIN DIMENSIONS		THIS DRAWING CONTAINS INFORMATION THAT IS PROPRIETARY TO MOLEX INCORPORATED AND SHOULD NOT BE USED WITHOUT WRITTEN PERMISSION							

12 11 10 9 8 7 6 5 4 3 2 1

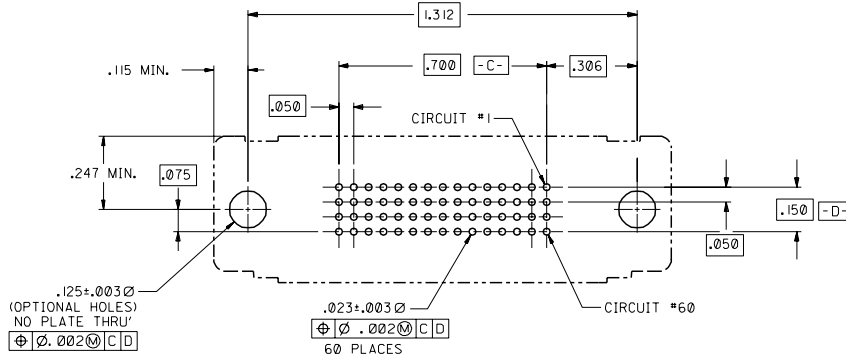


RECOMMENDED P.C.B. LAYOUT
COMPONENT SIDE

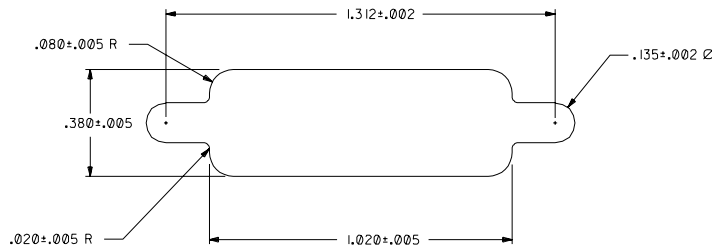


RECOMMENDED PANEL CUT-OUT

SEE SHEET 1 EC NO. UEP2010-0117 TDRWNSDANIELLEY 2009/07/23 CHADSDORIAN 2009/07/24 APPR:SHILLER 2009/07/24	QUALITY SYMBOLS 	GENERAL TOLERANCES (UNLESS SPECIFIED)		DIMENSION STYLE INCH ONLY	SCALE 4:1	DESIGN UNITS INCH	THIRD ANGLE PROJECTION	
		4 PLACES ±--- ±---	mm	INCH	DRAWN BY MOS	DATE 1993/12/07	TITLE .050 PITCH CKT LFH VERTICAL I/O - M3 SHIELD RECEPTACLE	
		3 PLACES ±--- ±.010			CHECKED BY MOS	DATE 1993/12/07	MOLEX INCORPORATED	
		2 PLACES ±--- ±--- 1 PLACE ±--- ±---			APPROVED BY CAB	DATE 1993/12/07		
		ANGULAR ±1/2°		MATERIAL NO. 70928-0002	DOCUMENT NO. SDA-70928-0002	SHEET NO. 2 OF 2		
DRAFT WHERE APPLICABLE MUST REMAIN WITHIN DIMENSIONS				THIS DRAWING CONTAINS INFORMATION THAT IS PROPRIETARY TO MOLEX INCORPORATED AND SHOULD NOT BE USED WITHOUT WRITTEN PERMISSION				



RECOMMENDED P.C.B. LAYOUT
COMPONENT SIDE



RECOMMENDED PANEL CUT-OUT

C	SEE SHEET I
B	SEE SHEET I
A	SEE SHEET I

MFG.	SH.	REV.	LTR.	REVISIONS
REVISIONS				
DIMENSIONS SHOWN IN METRIC INCH				
UNLESS OTHERWISE SPECIFIED TOLERANCES ANGULAR 1/2°				
INCH		METRIC		
2 PLACE	± .010	---		
3 PLACE	±	±		
4 PLACE	---	±		
DRAFT WHERE APPLICABLE MUST REMAIN WITHIN DIMENSIONS				
DRWG. BY	MOS	CHK'D. BY	MOS	
APP'D.	CFW	SCALE	4:1	
PART NO.		DRAWG. NO.		
70928-0002		SDA-70928-0002		
FILE NAME		THIS DRAWING CONTAINS INFORMATION THAT IS PROPRIETARY TO MOLEX INC. AND SHOULD NOT BE USED WITHOUT WRITTEN PERMISSION.		
57892811A		CD		
SHEET NO.		DATE		
2		4/14/94		
MOLEX INCORPORATED		U.S.A.		
68932				