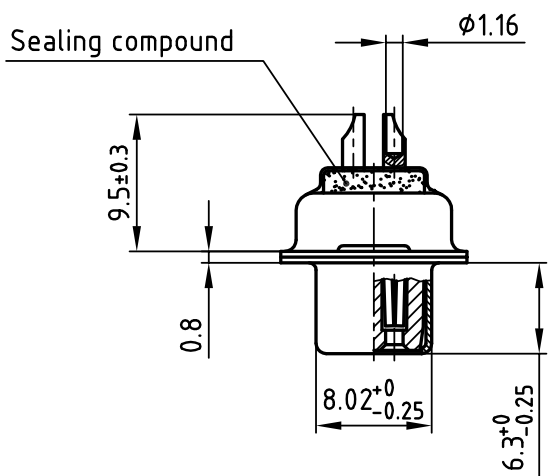
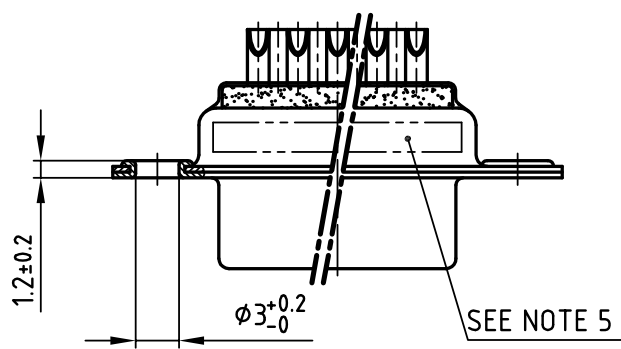
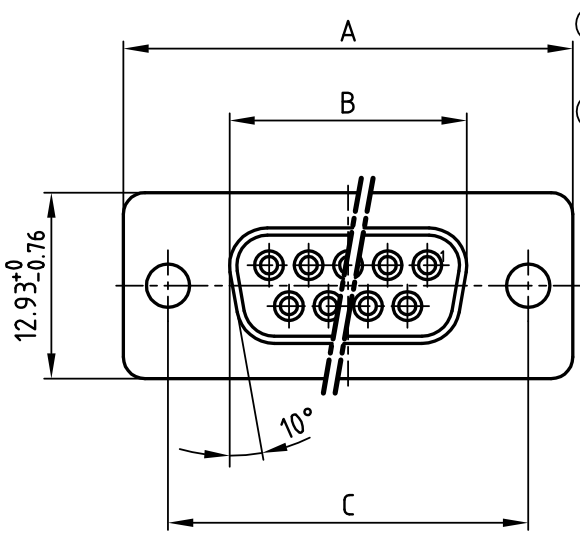


used for: D-SUB

POS.	A ^{-0.76}	B ^{-0.25}	C	PART-NO.
9	31.19	16.46	25.00 ^{+0.12} _{-0.13}	4STD09SCM99A10X
15	39.52	24.79	33.30 ^{+0.15} _{-0.1}	4STD15SCM99A10X
25	53.42	38.50	47.04 ±0.13	4STD25SCM99A10X
37	69.70	54.96	63.50 ±0.13	4STD37SCM99A10X



Directive 2002/95/EC
RoHS Compliant

NOTES:

1. METALSHELLS: COPPER ALLOY; min. 320µin TIN
2. INSULATORS: PBT GF UL 94 V-0, BLACK
3. CONTACTS: COPPER ALLOY
SOLDER CUP ACCEPTS CABLE AWG 20
4. PLATING: min. 30µin HARD GOLD OVER min. 50µin NICKEL
5. CONNECTOR IS PART MARKED: PART-NO. CONEC ABC

APPROVAL # FREIGABE # DEBLOCAGE # AUTORIZACION # APPROVAL	
CUSTOMER APPROVAL DATE:	
NAME:	TITLE:
COMPANY NAME:	
APPROVAL # FREIGABE # DEBLOCAGE # AUTORIZACION # APPROVAL	

THIS DRAWING MAY NOT BE COPIED OR REPRODUCED IN ANY WAY, AND MAY NOT BE PASSED ON TO A THIRD PARTY WITHOUT WRITTEN PERMISSION.
 OWNERSHIP AND COPYRIGHT OF CONEC GmbH
 DO NOT ALTER CAD DRAWING BY HAND

tolerance		dim. in mm	
1999	date	name	
drawn	26.04.	Barcinski	
appd.	26.04.	Mickenbecker	
norm	DIN 41652		
d-old			
3 x b	Ä 3045	25.06.2008	Petker
a	Origin		
rev.	description	date	name



scale:	2:1	
material:	SEE NOTES	
title:	D-SUB FEMALE SOLDER CUP 9-37pos. for watertight hood	
dwg no:	AutoCAD 2000	DIN-A
	18K11B2A	4
		sh: 1/1
part no:	SEE TABLE	