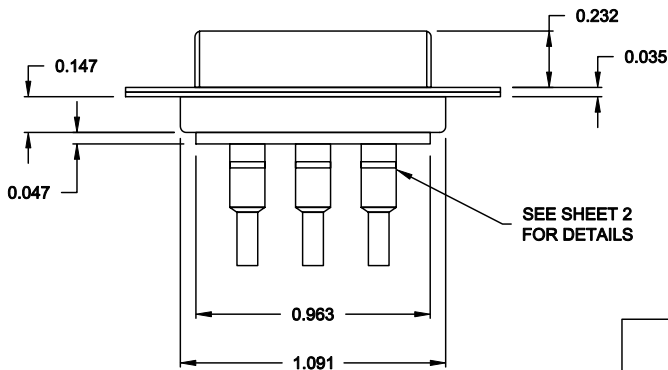
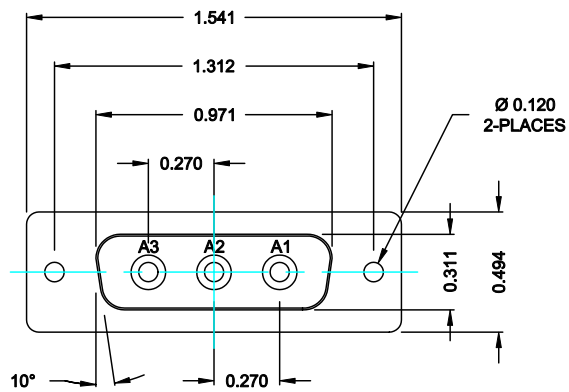


DESCRIPTION: COAXIAL - SOLDER CUP - FEMALE



**SPECIFICATIONS:**

**ELECTRICAL:**

INSULATOR RESISTANCE: 5,000 MegOHMS Min.  
 DIELECTRIC WITHSTANDING: 1,000VAC r.m.s.  
 OPERATING TEMPERATURE: -55° C ~ +125° C  
 CONTACT RESISTANCE: 30 Milliohms Max.  
 COAXIAL PINS: 75 OHM

**MECHANICAL:**

CONTACT INSERTION FORCE: 4.5 Kg Max.  
 CONTACT SEPARATOR FORCE: 0.3Kg Min.


**MATERIALS:**

CONTACTS: BRASS  
 INSULATOR: PBT UL94V-0 RATED,  
 230°C PROCESS TEMP.  
 SHELL: STEEL  
 FINISH: NICKEL  
 SHELL: NICKEL

**6823W3203L001**

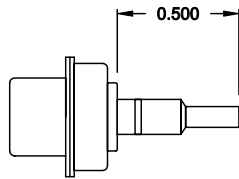
00 = 75 OHM COAXIAL

**RoHS COMPLIANT**

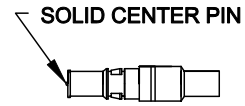
|   |   |                              |                           |                                  |
|---|---|------------------------------|---------------------------|----------------------------------|
|  | THESE DRAWINGS AND SPECIFICATIONS ARE THE PROPERTY OF NorComp AND SHALL NOT BE REPRODUCED, COPIED OR USED AS THE BASIS FOR THE MANUFACTURE OF SALE OF APPARATUS WITHOUT WRITTEN PERMISSION. |                              | DRAWN:<br><b>C. SMITH</b> | DATE:<br><b>09-21-06</b>         |
|   |   |                              | CHECKED:<br><b>X</b>      | DATE:<br><b>X</b>                |
|   | <b>NorComp</b>  |                              | SCALE:<br><b>N.T.S.</b>   | SHEET<br><b>1</b> OF<br><b>2</b> |
|   |   | DWG NO. <b>6823W3203L001</b> |                           |                                  |

DESCRIPTION: 682 SERIES CONTACTS

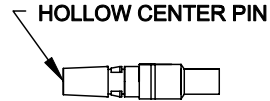
NOTE:  
COAXIAL CONTACTS SUPPLIED - NOT PRE-LOADED.



COAXIAL CONTACT  
ACCEPTS 75 OHM COAX, RG179/U




FEMALE COAXIAL CONTACT



MALE COAXIAL CONTACT

RoHS COMPLIANT

|   |   |               |          |       |          |   |     |   |
|---|---|---------------|----------|-------|----------|---|-----|---|
|  | THESE DRAWINGS AND SPECIFICATIONS ARE THE PROPERTY OF NorComp AND SHALL NOT BE REPRODUCED, COPIED OR USED AS THE BASIS FOR THE MANUFACTURE OF SALE OF APPARATUS WITHOUT WRITTEN PERMISSION. | DRAWN:        | C. SMITH | DATE: | 09-21-06 |   |     |   |
|   |   | CHECKED:      | X        | DATE: | X        |   |     |   |
| <b>NorComp</b>  | SCALE:  | N.T.S.        | SHEET    | 2     | OF       | 2 | REV | 1 |
|   | DWG NO.   | 6823W3203L001 |          |       |          |   |     |   |