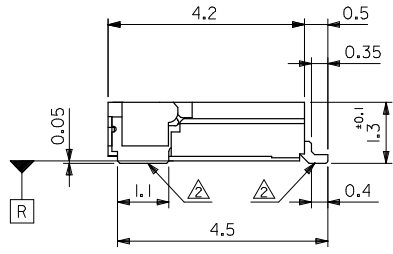
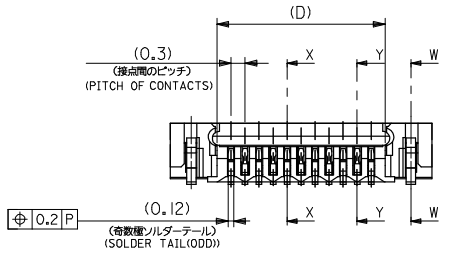
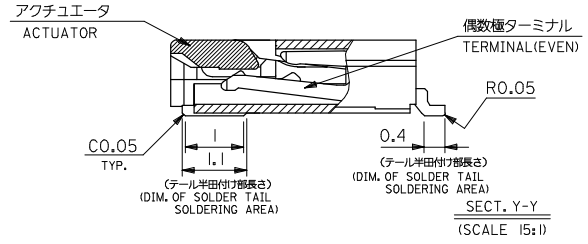
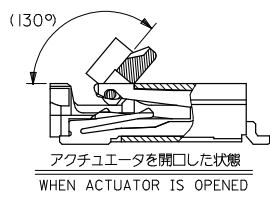
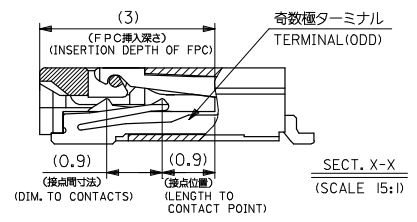
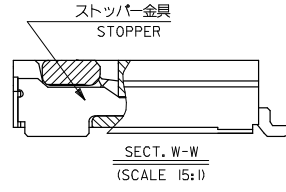
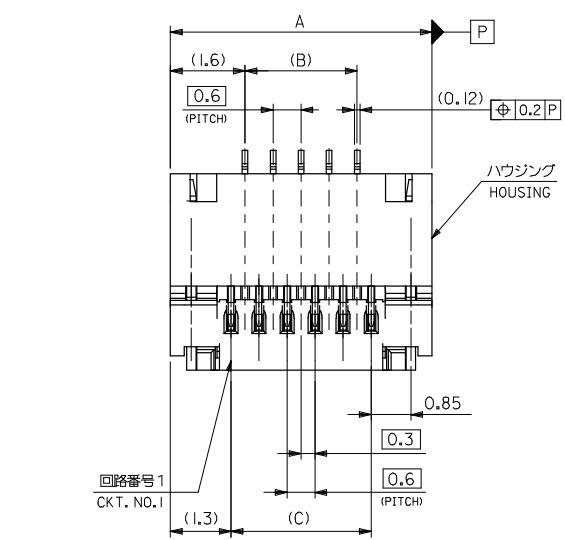


10 9 8 7 6 5 4 3 2 1



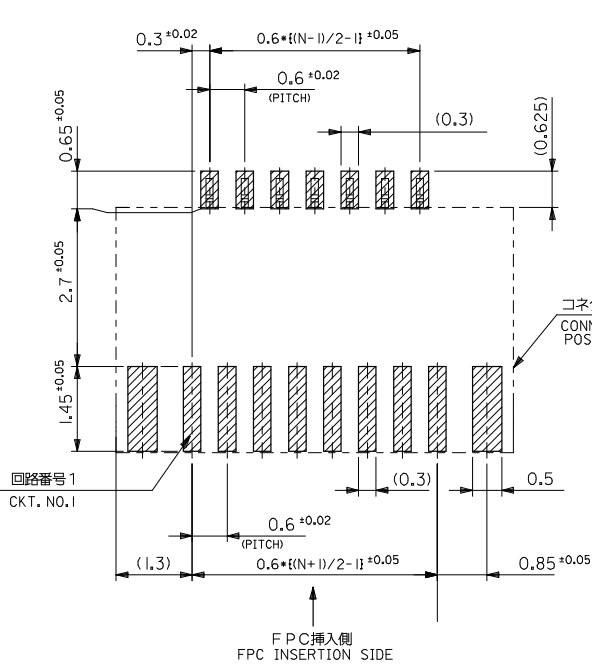
15.6	15.0	14.4	17.6	54809-5198	54809-5128	51
15.0	14.4	13.8	17.0	54809-4998	54809-4928	49
13.8	13.2	12.6	15.8	54809-4598	54809-4528	45
12.0	11.4	10.8	14.0	54809-3998	54809-3928	39
10.8	10.2	9.6	12.8	54809-3598	54809-3528	35
10.2	9.6	9.0	12.2	54809-3398	54809-3328	33
9.6	9.0	8.4	11.6	54809-3198	54809-3128	31
8.4	7.8	7.2	10.4	54809-2798	54809-2728	27
7.8	7.2	6.6	9.8	54809-2598	54809-2528	25
7.2	6.6	6.0	9.2	54809-2398	54809-2328	23
6.6	6.0	5.4	8.6	54809-2198	54809-2128	21
6.0	5.4	4.8	8.0	54809-1998	54809-1928	19
4.8	4.2	3.6	6.8	54809-1598	54809-1528	15
3.6	3.0	2.4	5.6	54809-1198	54809-1128	11
D	C	B	A	EMBOSSED TAPE	MATERIAL NO.	CKT.
				ORDER No. オ-ダ-番号	54809-**28	MODEL NO.

注記 NOTES

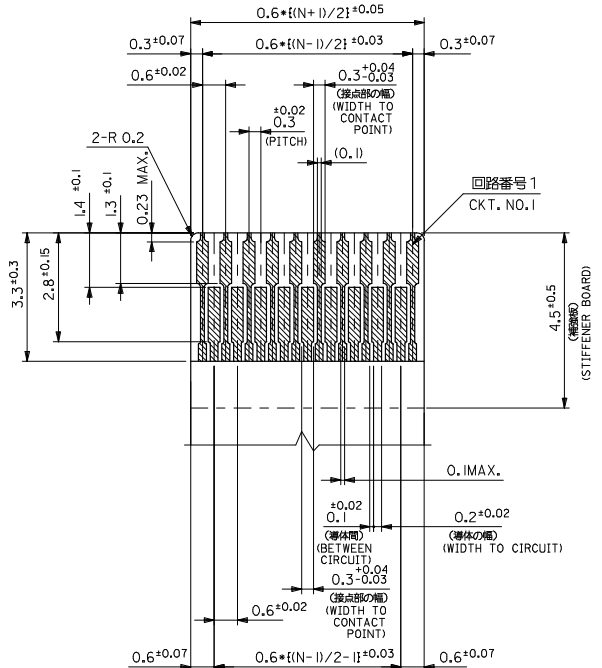
1. 使用材料 MATERIAL  
 ハウジング HOUSING : LCP , UL94V-0  
 アクチュエータ ACTUATOR : PA 46 - UL94V-0  
 ターミナル : リン青銅 (1=0.12) , 銀・ビスマス (2%) , ニッケル下地  
 TERMINAL PHOSPHOR BRONZE , TIN- 2% BISMUTH OVER NICKEL PLATING.  
 金具 : リン青銅 (1=0.2) , 銀メッキ , ニッケル下地  
 STOPPER PHOSPHOR BRONZE , TIN OVER NICKEL PLATING.  
 △ ソルダテール半田付け面の寸法は、基準面 R に対し、  
 上方0MAX. , 下方0.1MAX. とする。  
 又、相違のバツキ幅は0.1MAX. とする。  
 MISALIGNMENT OF SOLDER TAILS AND FITTING NAILS FROM R  
 UPPER DIRECTION 0 MAX. , LOWER DIRECTION 0.1 MAX.  
 OFFSET BETWEEN SOLDER TAILS AND FITTING NAILS : 0.1 MAX.  
 3. 一般公差 : ±0.3  
 GENERAL TOLERANCES : ±0.3  
 4. 本製品は54809-\*\*-27の鉛フリー品である。  
 THIS PRODUCT IS LEAD FREE OF 54809-\*\*-27

REVISED EC NO: J2008-4026 G DRAWN:MABEL 2008/05/27 CHKD:THARYAMA 2008/05/27 APPR:NIKIITA 2008/05/27 REV	GENERAL TOLERANCES (UNLESS SPECIFIED)		DIMENSION STYLE MM ONLY		SCALE ---	DESIGN UNITS METRIC	THIRD ANGLE PROJECTION
	10 UNDER	±---	DRAWN BY M. NABEI	DATE '03/12/22	TITLE 0.3 FPC CONN E/O HSG ASSY (H=1.3) -LEAD FREE-		
	10 OVER 30 UNDER	±---	CHECKED BY K. TOJO	DATE '03/12/22	MOLEX INCORPORATED		
	30 OVER	±---	APPROVED BY M. SASAO	DATE '03/12/22	MATERIAL NO. SEE TABLE	DOCUMENT NO. SD-54809-036	SHEET NO. 1 OF 2
ANGULAR ±--- °		DRAFT WHERE APPLICABLE MUST REMAIN WITHIN DIMENSIONS		THIS DRAWING CONTAINS INFORMATION THAT IS PROPRIETARY TO MOLEX INCORPORATED AND SHOULD NOT BE USED WITHOUT WRITTEN PERMISSION			

10 9 8 7 6 5 4 3 2 1



参考基板レイアウト  
RECOMMENDED P.C.BOARD  
PATTERN DIM. (REF.)  
(マウント面)  
(MOUNTING SIDE)



適合FPC推奨寸法  
APPLICABLE FPC  
RECOMMENDED DIM.  
(仕上がり厚さ: 0.2 ± 0.03)  
(THICKNESS: 0.2 ± 0.03)

FPCについて:

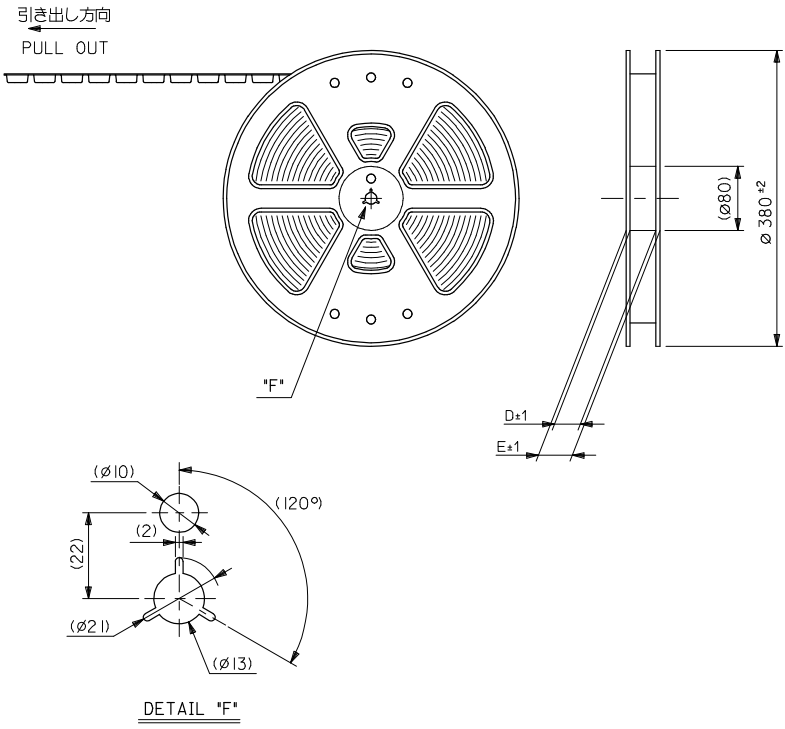
打抜き方向は、導体側から補強板側を推奨いたします。  
補強フィルム材質は、ポリイミドを推奨いたします。  
接着剤は、熱硬化接着剤を推奨いたします。

ABOUT FPC  
RECOMMENDED PUNCHER DIRECTION: FROM CONDUCTOR SIDE TO STIFFENER BOARD SIDE.

RECOMMENDED MATERIAL  
STIFFENER FILM: POLYIMIDE  
BONDING AGENT: THERMOSETTING BONDING AGENT

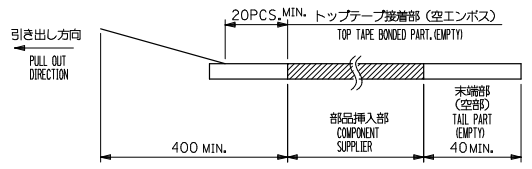
REVISED EC NO: J2008-4026 DRAWN BY: M.NABEI CHKD: THARYAMA APPR: NIKITA	DESCRIPTION 2008/05/27 2008/05/27 2008/05/27	GENERAL TOLERANCES (UNLESS SPECIFIED)		DIMENSION STYLE	SCALE	DESIGN UNITS	THIRD ANGLE PROJECTION	
		10 UNDER	± ---	MM ONLY	---	METRIC		
		10 OVER 30 UNDER	± ---	DRAWN BY	DATE	TITLE		
		30 OVER	± ---	M. NABEI	'03/12/22	0.3 FPC CONN E/O HSG ASSY (H=1.3) -LEAD FREE-		
G	REV	ANGULAR ± --- °		CHECKED BY	DATE	MOLEX INCORPORATED		
		DRAFT WHERE APPLICABLE MUST REMAIN WITHIN DIMENSIONS		K. TOJO	'03/12/22	MATERIAL NO. DOCUMENT NO. SHEET NO.		
				M. SASAO	'03/12/22	SEE SHEET 1 SD-54809-036 2 OF 2		
				SIZE A3		THIS DRAWING CONTAINS INFORMATION THAT IS PROPRIETARY TO MOLEX INCORPORATED AND SHOULD NOT BE USED WITHOUT WRITTEN PERMISSION		

10 9 8 7 6 5 4 3 2 1

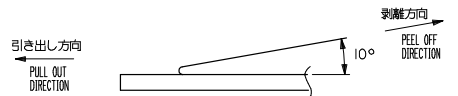


**注記 NOTES**

1. 製品詳細寸法については、図面SD-54809-036を参照下さい。  
RE DETAILED DIMENSION, SEE SD-54809-036.
2. 梱包数量: 2500個/リール  
NUMBER OF CONNECTORS: 2500PCS/REEL
3. リードテープ長さ LEAD TAPE LENGTH



4. トップテープの剥離強度: 0.1 ~ 1.3N (10 ~ 130gf) (剥離方向は下図参照)  
尚、本規格値は出荷時に適用。(但し、輸送時に剥離が発生しないこと。)  
PEELING OFF FORCE OF TOP TAPE: 0.1 ~ 1.3N (10 ~ 130gf)  
(PEELING DIRECTION AS SHOWN IN FOLLOWING FIG.)  
THIS REQUIREMENT SHOULD BE APPLIED AT SHIPMENT.  
PEEL OFF SHOULD NOT BE ALLOWED, DURING TRANSPORTATION.



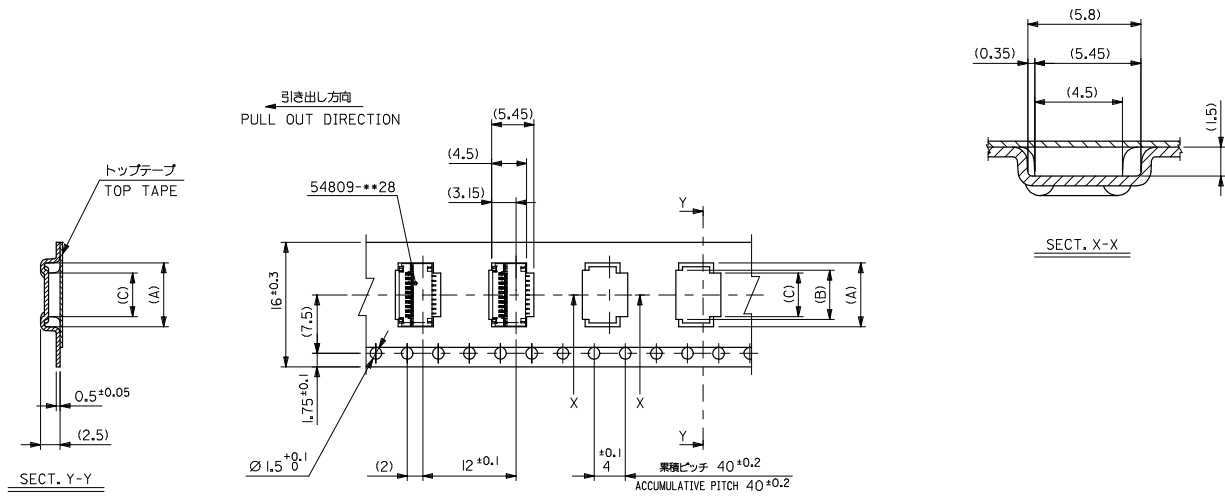
5. 材料 (MATERIAL)  
キャリアテープ (CARRIER TAPE): ポリプロピレン (POLYPROPYLENE)  
トップテープ (TOP TAPE): PET, PE, PEF  
リール (REEL): ポリスチレン (PS) <リサイクル材を含む>  
POLYSTYRENE(PS) <RECYCLE MATERIAL CONTAINED>
6. 本製品は54809-\*\*-91の鉛フリー品である。  
THIS PRODUCT IS LEAD FREE OF 54809-\*\*-91

tb\_frame\_A3\_J\_ME\_S  
Rev. D 2004/04/02

REVISED		EC NO: J2008-4026		2008/05/27		DRW: M. NABE I		2008/05/27		CHKD: THARYAMA		2008/05/27		APPR: NIKITA		2008/05/27		54809-**-98		MODEL NO.			
GENERAL TOLERANCES (UNLESS SPECIFIED)				DIMENSION STYLE				SCALE				DESIGN UNITS				THIRD ANGLE PROJECTION							
10 UNDER ±---				MM ONLY				---				METRIC											
10 OVER 30 UNDER ±---				DRAWN BY				DATE				TITLE											
30 OVER ±---				M. NABE I				'03/12/22				EMBSTP PKG											
ANGULAR ±--- °				CHECKED BY				DATE				FOR 0.3 FPC CONN E/O											
DRAFT WHERE APPLICABLE				K. TOJO				'03/12/22				-LEAD FREE-											
MUST REMAIN				APPROVED BY				DATE				MOLEX INCORPORATED											
WITHIN DIMENSIONS				M. SASAO				'03/12/22				SEE TABLE				SD-54809-037				SHEET NO.			
				MATERIAL NO.				DOCUMENT NO.				1 OF 4											
				A3				THIS DRAWING CONTAINS INFORMATION THAT IS PROPRIETARY TO MOLEX															
								INCORPORATED AND SHOULD NOT BE USED WITHOUT WRITTEN PERMISSION															

EN-02JA(021)

10 9 8 7 6 5 4 3 2 1

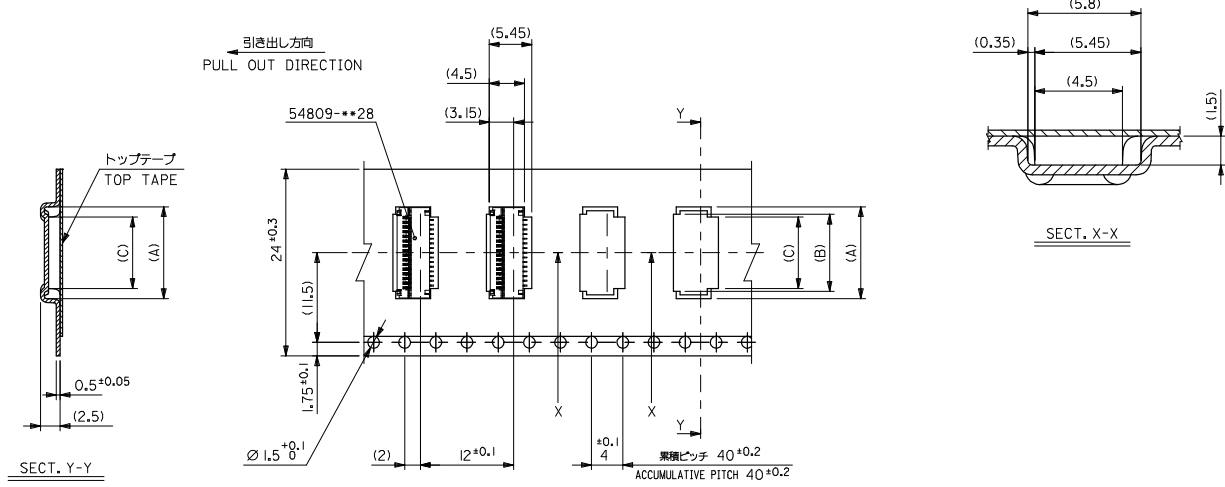


16mm幅キャリアテープ  
16mm WIDTH CARRIER TAPE

16	21.4	17.4	6.8	7.5	9.4	54809-2398	23
			6.2	6.9	8.8	54809-2198	21
			5.6	6.3	8.2	54809-1998	19
			4.4	5.1	7.0	54809-1598	15
			3.2	3.9	5.8	54809-1198	11
キャリアテープ幅 CARRIER TAPE WIDTH	E	D	C	B	A	MATERIAL NO.	仕様 CKT.

REVISED EC NO: J2008-4026 DRAWN BY: M.NABEI CHKD: THARYAMA APPR: NIKITA REV	DESCRIPTION 2008/05/27 2008/05/27 2008/05/27	GENERAL TOLERANCES (UNLESS SPECIFIED)		DIMENSION STYLE MM ONLY		SCALE ---	DESIGN UNITS METRIC	THIRD ANGLE PROJECTION	
		10 UNDER	±---	DRAWN BY M. NABEI	DATE '03/12/22	TITLE EMBSTP PKG FOR 0.3 FPC CONN E/O -LEAD FREE-			
		10 OVER 30 UNDER	±---	CHECKED BY K. TOJO	DATE '03/12/22	MOLEX INCORPORATED			
		30 OVER	±---	APPROVED BY M. SASAO	DATE '03/12/22	DOCUMENT NO. SD-54809-037			
		ANGULAR	±--- °	MATERIAL NO. SEE TABLE	DOCUMENT NO. SD-54809-037	SHEET NO. 2 OF 4			
DRAFT WHERE APPLICABLE MUST REMAIN WITHIN DIMENSIONS		SIZE A3		THIS DRAWING CONTAINS INFORMATION THAT IS PROPRIETARY TO MOLEX INCORPORATED AND SHOULD NOT BE USED WITHOUT WRITTEN PERMISSION					

10 9 8 7 6 5 4 3 2 1

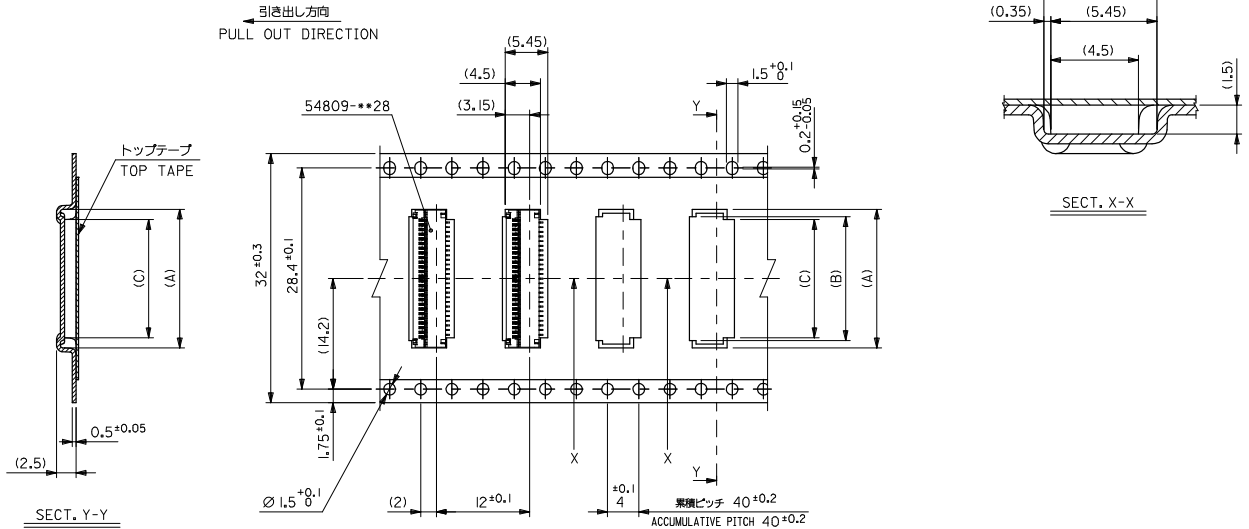


24mm幅キャリアテープ  
24mm WIDTH CARRIER TAPE

24	29.4	25.4	13.4	14.1	16.0	54809-4598	45
			11.6	12.3	14.2	54809-3998	39
			10.4	11.1	13.0	54809-3598	35
			9.8	10.5	12.4	54809-3398	33
			9.2	9.9	11.8	54809-3198	31
			8.0	8.7	10.6	54809-2798	27
			7.4	8.1	10.0	54809-2598	25
キャリアテープ幅 CARRIER TAPE WIDTH	E	D	C	B	A	MATERIAL NO.	標記 CKT.

REVISED EC NO: J2008-4026 DRAWN: M. NABEI 2008/05/27 CHECKED: TH. YUJIMA 2008/05/27 APPR: N. KITA 2008/05/27 B	GENERAL TOLERANCES (UNLESS SPECIFIED)		DIMENSION STYLE MM ONLY		SCALE ---	DESIGN UNITS METRIC	THIRD ANGLE PROJECTION
	10 UNDER	±---	DRAWN BY M. NABEI	DATE '03/12/22	TITLE EMBSTP PKG FOR 0.3 FPC CONN E/O -LEAD FREE-		
	10 OVER 30 UNDER	±---	CHECKED BY K. TOJO	DATE '03/12/22	MOLEX INCORPORATED		
	30 OVER	±---	APPROVED BY M. SASAO	DATE '03/12/22	MATERIAL NO. SEE TABLE	DOCUMENT NO. SD-54809-037	SHEET NO. 3 OF 4
	ANGULAR	±--- °	THIS DRAWING CONTAINS INFORMATION THAT IS PROPRIETARY TO MOLEX INCORPORATED AND SHOULD NOT BE USED WITHOUT WRITTEN PERMISSION				
DRAFT WHERE APPLICABLE MUST REMAIN WITHIN DIMENSIONS							

10 9 8 7 6 5 4 3 2 1



32mm幅キャリアテープ  
32mm WIDTH CARRIER TAPE

32	37.4	33.4	15.2	15.9	17.8	54809-5198	51
キャリアテープ幅 CARRIER TAPE WIDTH	E	D	C	B	A	54809-4998	49

REVISED EC NO: J2008-4026 DRAWN BY: M.NABEI CHECKED BY: K.TOJO APPR: NIKITA DATE: 2008/05/27 DATE: 2008/05/27 DATE: 2008/05/27	GENERAL TOLERANCES (UNLESS SPECIFIED)		DIMENSION STYLE MM ONLY		SCALE ---	DESIGN UNITS METRIC	THIRD ANGLE PROJECTION
	10 UNDER	±---	DRAWN BY M. NABEI	DATE '03/12/22	TITLE EMBSTP PKG FOR 0.3 FPC CONN E/O -LEAD FREE-		
	10 OVER 30 UNDER	±---	CHECKED BY K. TOJO	DATE '03/12/22	MOLEX INCORPORATED		
	30 OVER	±---	APPROVED BY M. SASAO	DATE '03/12/22	MATERIAL NO. SEE TABLE	DOCUMENT NO. SD-54809-037	SHEET NO. 4 OF 4
ANGULAR ±--- °		DRAFT WHERE APPLICABLE MUST REMAIN WITHIN DIMENSIONS		THIS DRAWING CONTAINS INFORMATION THAT IS PROPRIETARY TO MOLEX INCORPORATED AND SHOULD NOT BE USED WITHOUT WRITTEN PERMISSION			