

注記
NOTES:

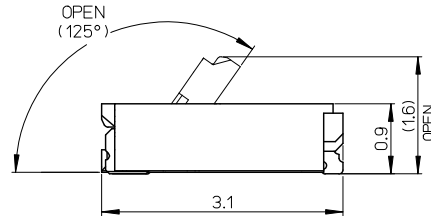
1.材質

MATERIAL

ハウジング:LCP(液晶ポリマー)、ガラス充填、UL94V-0
HOUSING:LCP(LIQUID CRYSTAL POLYMER),
GLASS FILLED,UL94V-0
アクチュエータ:ナイロン、ガラス充填、UL94V-0
ACTUATOR:NYLON(POLYAMIDE),
GLASS FILLED,UL94V-0
ターミナル:銅合金(t=0.15)
TERMINAL:COPPER ALLOY(t=0.15)
金具:銅合金(t=0.15)
NAIL:銅合金(t=0.15)

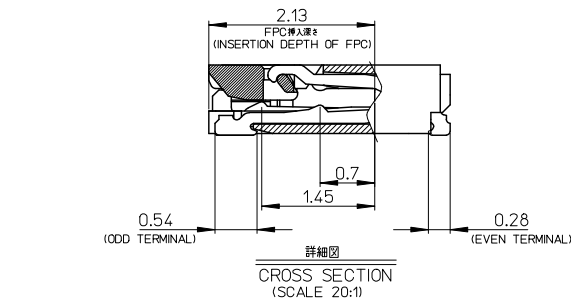
2.めっき仕様
PLATING

ターミナル
TERMINAL
部分金めっき
SEPARATED GOLD PLATING
下地ニッケルめっき
UNDER PLATING:NICKEL PLATING
金具
NAIL
めっき
TIN PLATING
下地ニッケルめっき
UNDER PLATING:NICKEL PLATING
3.平坦度は、0.1ミリ以下とする。
TAILS COPLANARITY TO BE 0.1 MAXIMUM.
4.ELV及びRoHS適合品
ELV AND RoHS COMPLIANT



| | | | | | | |
|---------------------|-------|------|------|------|--------------------------------------|----------------|
| 0.10 | 16.15 | 14.4 | 15 | 17.4 | 501628-5191 | 51 |
| 0.089 | 14.35 | 12.6 | 13.2 | 15.6 | 501628-4591 | 45 |
| 0.078 | 12.55 | 10.8 | 11.4 | 13.8 | 501628-3991 | 39 |
| 0.075 | 11.95 | 10.2 | 10.8 | 13.2 | 501628-3791 | 37 |
| 0.071 | 11.35 | 9.6 | 10.2 | 12.6 | 501628-3591 | 35 |
| 0.067 | 10.75 | 9.0 | 9.6 | 12.0 | 501628-3391 | 33 |
| 0.064 | 10.15 | 8.4 | 9 | 11.4 | 501628-3191 | 31 |
| 0.056 | 8.95 | 7.2 | 7.8 | 10.2 | 501628-2791 | 27 |
| 0.046 | 7.15 | 5.4 | 6 | 8.4 | 501628-2191 | 21 |
| 0.028 | 4.15 | 2.4 | 3 | 5.4 | 501628-1191 | 11 |
| 重さ (g) WEIGHT(g) | D | C | B | A | EMBOSSED PACKAGE オーダー番号 ORDER No. | 極数 CIRCUITS |

CONNECTOR SERIES No. 501628-xx11

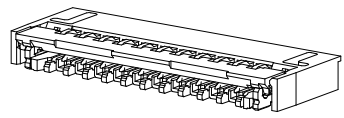
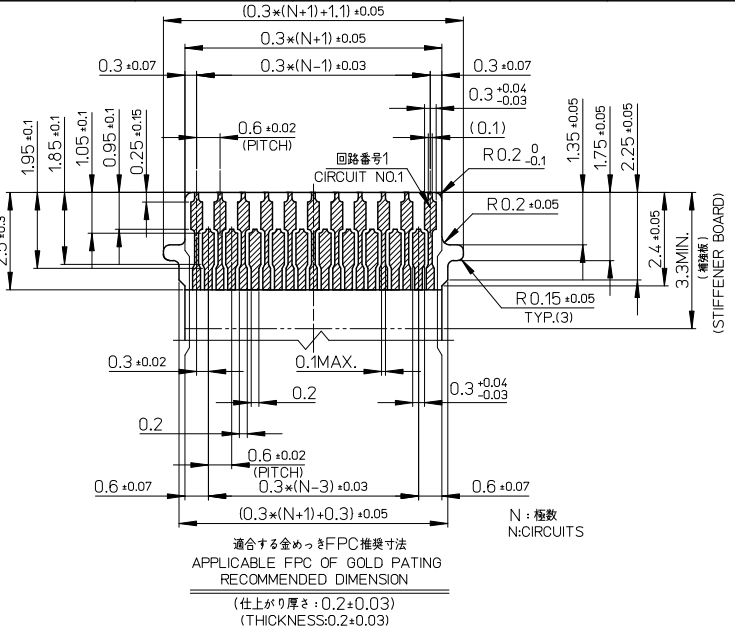
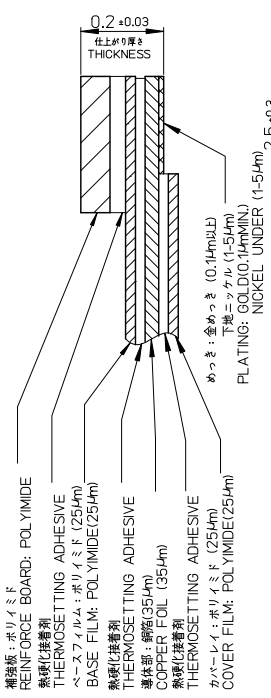
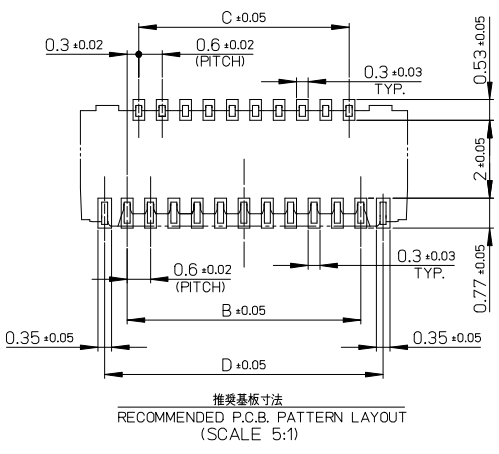


| | |
|-------------------|-------------|
| REVISED | DESCRIPTION |
| EC NO: J2010-0068 | |
| DRW:KUSATO | 2009/07/30 |
| CHKD:SHIMOYAMA | 2009/07/31 |
| APPR:KIMORI KAWA | 2009/07/31 |

| | |
|--|-------|
| GENERAL TOLERANCES (UNLESS SPECIFIED) | |
| 10 UNDER | ±0.2 |
| 10 OVER 30 UNDER | ±0.25 |
| 30 OVER | ±0.3 |
| ANGULAR | ±1° |
| DRAFT WHERE APPLICABLE MUST REMAIN WITHIN DIMENSIONS | |

| | | | |
|--|--------------------|--|---------------------------|
| DIMENSION STYLE MM ONLY | SCALE 40:1 | DESIGN UNITS METRIC | THIRD ANGLE PROJECTION |
| DRAWN BY HSHIMOYAMA | DATE 2005/03/25 | TITLE 0.3 FPC CONN. (H=0.9) HS'G ASSY BOTTOM CONTACT NICKEL BARRIER | |
| CHECKED BY HHIRATA | DATE 2005/03/25 | MOLEX INCORPORATED | |
| APPROVED BY MSASAO | DATE 2005/03/25 | DOCUMENT NO. SD-501628-001 | SHEET NO. 1 OF 2 |
| THIS DRAWING CONTAINS INFORMATION THAT IS PROPRIETARY TO MOLEX INCORPORATED AND SHOULD NOT BE USED WITHOUT WRITTEN PERMISSION | | | |

10 9 8 7 6 5 4 3 2 1



ISO VIEW (参考)

FPC構造仕様
STRUCTURE OF FPC

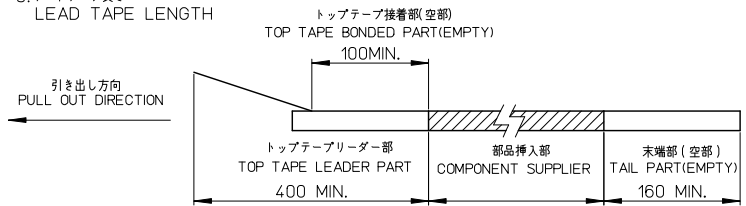
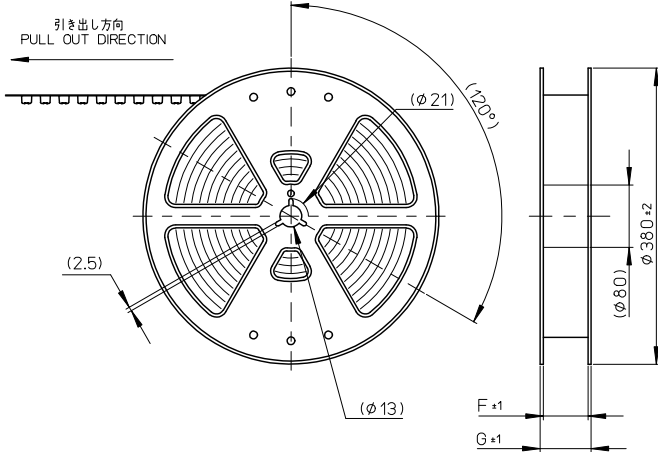
| | | | | | | |
|---|---------------------------------------|--|----------------------------|--|--|-------------------------------|
| REVISED EC NO: J2010-0068 DRAWN BY: DRINKUSATO 2009/07/30 CHECKED BY: CHYKOSHINOYAMA 2009/07/31 APPROVED BY: KNOBIKAWA 2009/07/31 | GENERAL TOLERANCES (UNLESS SPECIFIED) | | DIMENSION STYLE MM ONLY | SCALE 40:1 | DESIGN UNITS METRIC | THIRD ANGLE PROJECTION |
| | 10 UNDER | ±0.2 | DRAWN BY HSHIMOYAMA | DATE 2005/03/25 | TITLE 0.3 FPC CONN. (H=0.9) HS'G ASSY BOTTOM CONTACT NICKEL BARRIER | |
| | 10 OVER 30 UNDER | ±0.25 | CHECKED BY HIRATA | DATE 2005/03/25 | MOLEX INCORPORATED | |
| | 30 OVER | ±0.3 | APPROVED BY MSASAO | DATE 2005/03/25 | MATERIAL NO. SEE TABLE | DOCUMENT NO. SD-501628-001 |
| ANGULAR | ±1° | DRAFT WHERE APPLICABLE MUST REMAIN WITHIN DIMENSIONS | | THIS DRAWING CONTAINS INFORMATION THAT IS PROPRIETARY TO MOLEX INCORPORATED AND SHOULD NOT BE USED WITHOUT WRITTEN PERMISSION | | |

10 9 8 7 6 5 4 3 2 1

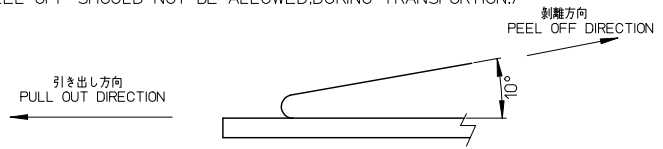
注記)

NOTES

- 1.製品番号501628-***11の詳細寸法は、製品単体図面を参照下さい。
IN THE PACKAGE PART NUMBER 501628-***11 DETAIL DIMENSIONS, SEE SALES DRAWING FOR CONNECTOR.
- 2.梱包数量：3000個/リール
NUMBER OF CONNECTORS : 3000 PCS/REEL
- 3.リードテープ長さ
LEAD TAPE LENGTH



- 4.トップテープの剥離強度 (剥離方向は下図参照)
PEELING OFF FORCE OF TOP TAPE (PEELING DIRECTION AS SHOWN IN FOLLOWING FIGURE)
0.1-1.3N (10-130gf)
尚、本規格値は出荷時に適用。
THIS REQUIREMENT SHOULD BE APPLIED AT SHIPMENT.
(但し、輸送時に剥離が発生しないこと)
(PEEL OFF SHOULD NOT BE ALLOWED DURING TRANSPORTATION.)



5.材料

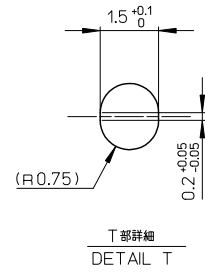
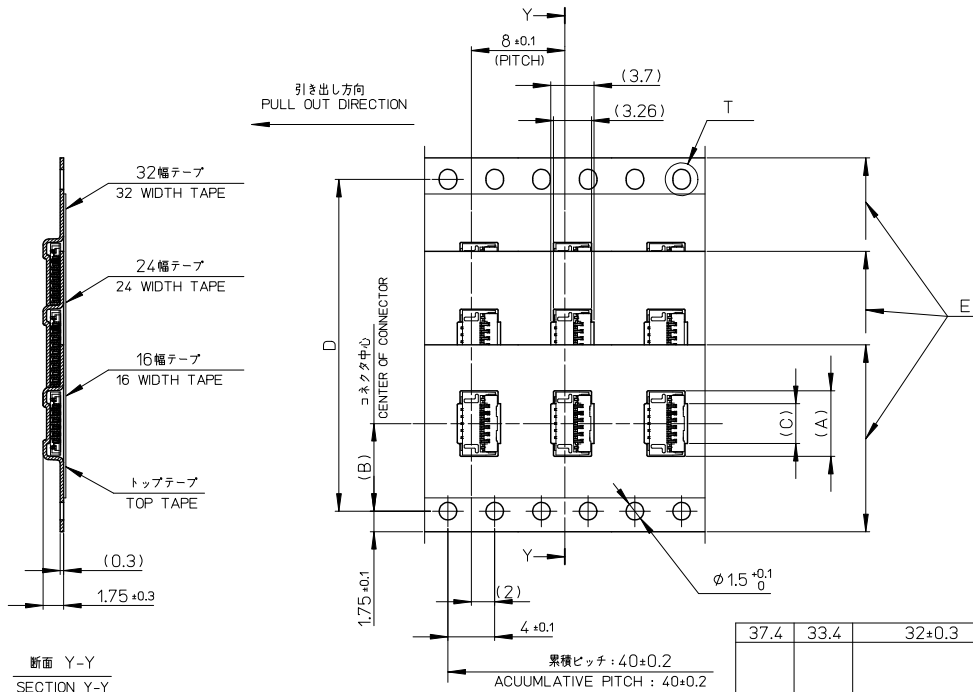
MATERIAL
 キャリアテープ：ポリスチレン (PS)
 CARRIER TAPE: POLYSTYRENE (PS)
 トップテープ：PET、PE、PEF
 TOP TAPE : PET, PE, PEF
 リール：ポリスチレン
 REEL: POLYSTYLENE

6.ELV及びRoHS適合品

ELV AND RoHS COMPLIANT

| | | | | | | |
|---|---------------------------------------|--|----------------------------|---|---|-------------------------------|
| REVISED EC NO: J2010-0068 DRAWN BY: DRWNGUSATO 2009/07/30 CHECKED BY: CHYKOSHINOYAMA 2009/07/31 APPROVED BY: KIMORI KAWA 2009/07/31 | GENERAL TOLERANCES (UNLESS SPECIFIED) | | DIMENSION STYLE MM ONLY | SCALE --- | DESIGN UNITS METRIC | THIRD ANGLE PROJECTION |
| | 10 UNDER | ± --- | DRAWN BY HSHIMOYAMA | DATE 2005/08/22 | TITLE 0.3 FPC CONN.(FOR 501628-***11) TAPING PACKAGE NICKEL BARRIER | |
| | 10 OVER 30 UNDER | ± --- | CHECKED BY HHIRATA | DATE 2005/08/22 | MOLEX INCORPORATED | |
| | 30 OVER | ± --- | APPROVED BY MSASAO | DATE 2005/08/22 | MATERIAL NO. SEE TABLE | DOCUMENT NO. SD-501628-003 |
| ANGULAR ± --- ° | | DRAFT WHERE APPLICABLE MUST REMAIN WITHIN DIMENSIONS | | THIS DRAWING CONTAINS INFORMATION THAT IS PROPRIETARY TO MOLEX INCORPORATED AND SHOULD NOT BE USED WITHOUT WRITTEN PERMISSION | | |

10 9 8 7 6 5 4 3 2 1



| | | | | | | | | |
|------|------|---------------------|------|------|------|------|--------------|----------|
| 37.4 | 33.4 | 32±0.3 | 28.4 | 15.4 | 14.2 | 17.6 | 501628-5191 | 51 |
| 29.4 | 25.4 | 24±0.3 | ± | 13.6 | 11.5 | 15.8 | 501628-4591 | 45 |
| | | | | 11.8 | | 14 | 501628-3991 | 39 |
| | | | | 11.2 | | 13.4 | 501628-3791 | 37 |
| | | | | 10.6 | | 12.8 | 501628-3591 | 35 |
| | | | | 10.0 | | 12.2 | 501628-3391 | 33 |
| 21.4 | 17.4 | 16±0.3 | | 9.4 | 7.5 | 11.6 | 501628-3191 | 31 |
| | | | | 8.2 | | 10.4 | 501628-2791 | 27 |
| | | | | 6.4 | | 8.6 | 501628-2191 | 21 |
| G | F | E | D | C | B | A | 製品番号 | 極数 |
| | | EMBOSSED TAPE WIDTH | | | | | MATERIAL NO. | CIRCUITS |

| | | | | | | | |
|--|---------------------------------------|---|----------------------------|--------------------|--|------------------------|------------------------|
| REVISED IEC NO: J2010-0068 DRAWN BY: DRWNGKUSATO 2009/07/30 CHECKED BY: CHYKOSHINOYAMA 2009/07/31 APPROVED BY: APPR:KMORI KAWA 2009/07/31 | GENERAL TOLERANCES (UNLESS SPECIFIED) | | DIMENSION STYLE MM ONLY | | SCALE --- | DESIGN UNITS METRIC | THIRD ANGLE PROJECTION |
| | 10 UNDER | ±--- | DRAWN BY HSHIMOYAMA | DATE 2005/08/22 | TITLE 0.3 FPC CONN.(FOR 501628 -**11) TAPING PACKAGE NICKEL BARRIER | | |
| | 10 OVER 30 UNDER | ±--- | CHECKED BY HHIRATA | DATE 2005/08/22 | MOLEX INCORPORATED | | |
| | 30 OVER | ±--- | APPROVED BY MSASAO | DATE 2005/08/22 | DOCUMENT NO. SD-501628-003 | | |
| | ANGULAR | ±--- ° | MATERIAL NO. SEE TABLE | | SHEET NO. 2 OF 2 | | |
| DRAFT WHERE APPLICABLE MUST REMAIN WITHIN DIMENSIONS | | THIS DRAWING CONTAINS INFORMATION THAT IS PROPRIETARY TO MOLEX INCORPORATED AND SHOULD NOT BE USED WITHOUT WRITTEN PERMISSION | | | | | |