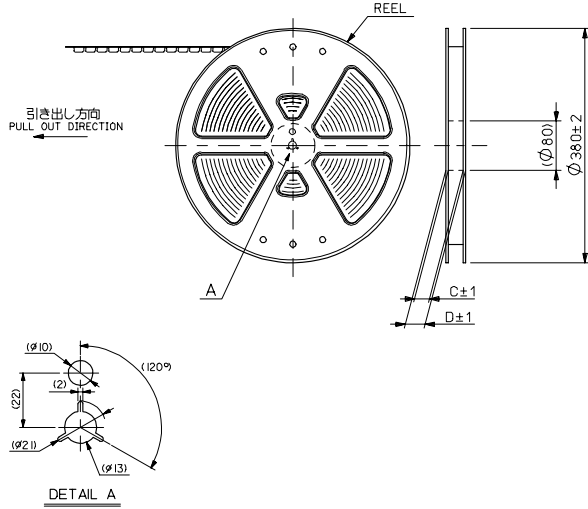
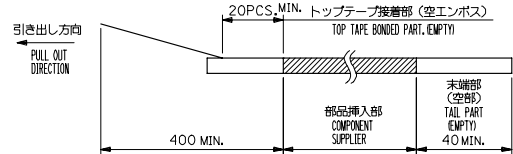


10 9 8 7 6 5 4 3 2 1

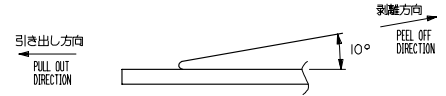


**注記 NOTES**

1. 製品詳細寸法については、図面SD-54393-024を参照下さい。  
RE DETAILED DIMENSION, SEE SD-54393-024.
2. 梱包数量：2000個/リール  
NUMBER OF CONNECTORS：2000PCS/REEL
3. リードテープ長さ LEAD TAPE LENGTH



4. トップテープの剥離強度：0.1N~1.3N (10gf~130gf)  
(剥離方向は下図参照)  
尚、本規格値は出荷時に適用。(但し、輸送時に剥離が発生しないこと。)  
PEELING OFF FORCE OF TOP TAPE：0.1N ~ 1.3N(10gf ~ 130gf)  
(PEELING DIRECTION AS SHOWN IN FOLLOWING FIG.)  
THIS REQUIREMENT SHOULD BE APPLIED AT SHIPMENT.  
PEEL OFF SHOULD NOT BE ALLOWED, DURING TRANSPORTATION.



5. 材料 (MATERIAL)  
キャリアテープ (CARRIER TAPE)：ポリプロピレン (POLYPROPYLENE)  
トップテープ (TOP TAPE)：PET, PE, PEF  
リール (REEL)：ポリスチレン (PS) <リサイクル材を含む>  
POLYSTYREN (PS) <RECYCLE MATERIAL CONTAINED>
6. 本製品は54393-\*\*-91の鉛フリー品です。  
THIS PRODUCT IS LEAD FREE OF 54393-\*\*-91

REVISED EC NO. J2006-3255 DRW:HYAJIMA CHK:MTANAKA APP:NIKIITA	2006/05/22	2006/05/22	2006/05/26	GENERAL TOLERANCES (UNLESS SPECIFIED)	DIMENSION STYLE MM ONLY	SCALE ---	DESIGN UNITS METRIC	MODEL NO. 54393-**-81	THIRD ANGLE PROJECTION		
	10 UNDER	±---	DRAWN BY H.SHIMABUKUR							DATE '04/01/29	TITLE 0.3 FPC CONN (EASY ON) HSG ASSY EMBSTP PKG -LEAD FREE-
	10 OVER 30 UNDER	±---	CHECKED BY K.TOJO							DATE '04/01/29	
	30 OVER	±---	APPROVED BY M.SASAO							DATE '04/01/29	
ANGULAR	±---°	MATERIAL NO.	DOCUMENT NO.	SHEET NO. 1 OF 4							
DRAFT WHERE APPLICABLE MUST REMAIN WITHIN DIMENSIONS				SEE CHART	SD-54393-023		THIS DRAWING CONTAINS INFORMATION THAT IS PROPRIETARY TO MOLEX INCORPORATED AND SHOULD NOT BE USED WITHOUT WRITTEN PERMISSION				

10 9 8 7 6 5 4 3 2 1

F F

E E

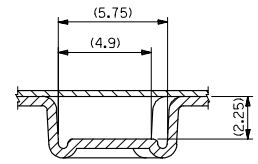
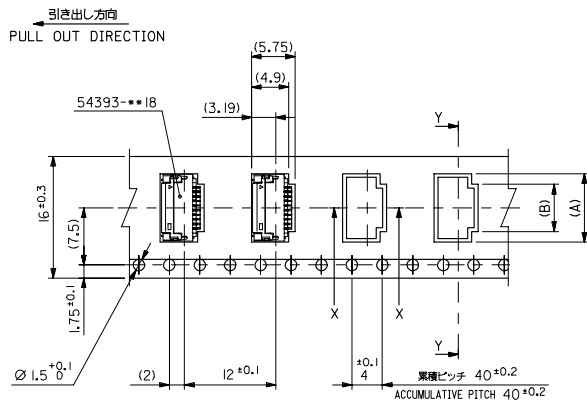
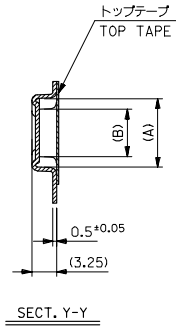
D D

C C

B B

A A

Rev. D 2004/04/02 9 8 7 6 5 4 3 2 1 EN-02JA(021)



16mm幅キャリアテープ  
16mm WIDTH CARRIER TAPE

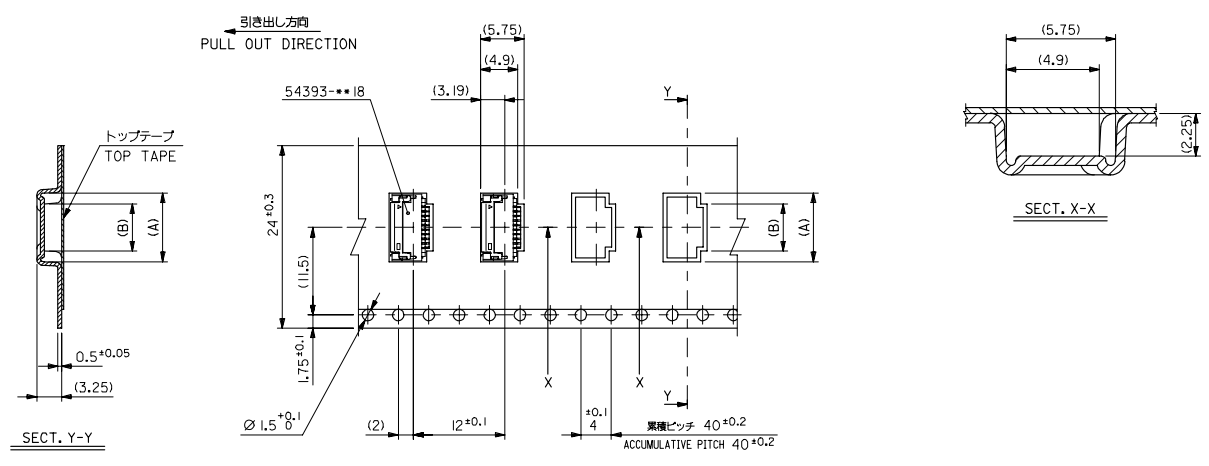
16	21.4	17.4	5.0	7.8	54393-1781	I7
キャリアテープ幅 CARRIER TAPE WIDTH	D	C	B	A	MATERIAL NO.	部品 CKT.

54393-\*\*\*81 MODEL NO.

REVISED IEC NO. J2006-3255 DRW:HYAJIMA CHK:MTANAKA APPR:NIKIITA	GENERAL TOLERANCES (UNLESS SPECIFIED)		DIMENSION STYLE MM ONLY		SCALE ---	DESIGN UNITS METRIC	THIRD ANGLE PROJECTION
	10 UNDER	± ---	DRAWN BY H.SHIMABUKUR	DATE '04/01/29	TITLE 0.3 FPC CONN (EASY ON) HSG ASSY EMBSTP PKG -LEAD FREE- MOLEX INCORPORATED		
	10 OVER 30 UNDER	± ---	CHECKED BY K.TOJO	DATE '04/01/29			
	30 OVER	± ---	APPROVED BY M.SASAO	DATE '04/01/29			
ANGULAR	± --- °	MATERIAL NO. SEE CHART		DOCUMENT NO. SD-54393-023	SHEET NO. 2 OF 4		
DRAFT WHERE APPLICABLE MUST REMAIN WITHIN DIMENSIONS		THIS DRAWING CONTAINS INFORMATION THAT IS PROPRIETARY TO MOLEX INCORPORATED AND SHOULD NOT BE USED WITHOUT WRITTEN PERMISSION					

10 9 8 7 6 5 4 3 2 1

F E D C B A

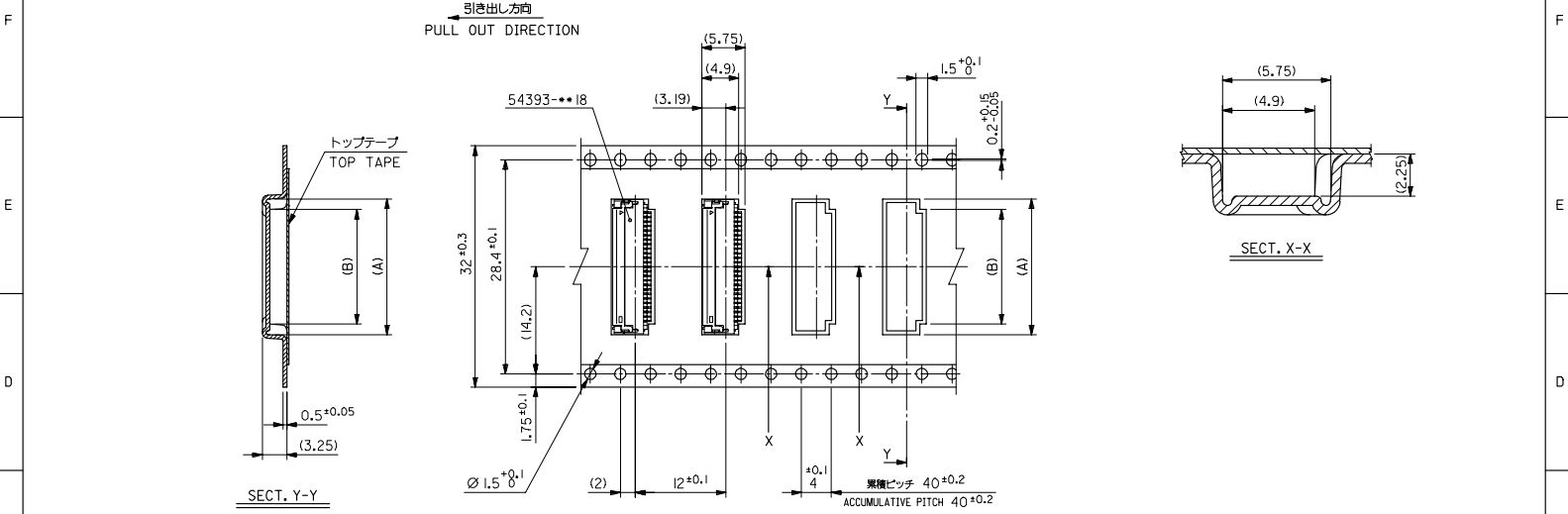


24mm幅キャリアテープ  
24mm WIDTH CARRIER TAPE

24	29.4	25.4	13.4	16.2	54393-4581	45
			11.6	14.4	54393-3981	39
			9.8	12.6	54393-3381	33
			8.0	10.8	54393-2781	27
			6.8	9.6	54393-2381	23
			6.2	9.0	54393-2181	21
キャリアテープ幅 CARRIER TAPE WIDTH	D	C	B	A	MATERIAL NO.	図 庫 番 号 CKT.

REVISED IEC NO: J2006-3255 DRW: H.YAJIMA CHK: H.TANAKA APPR: N. KITA 2006/05/22 2006/05/22 2006/05/26	GENERAL TOLERANCES (UNLESS SPECIFIED)		DIMENSION STYLE MM ONLY		SCALE ---	DESIGN UNITS METRIC	THIRD ANGLE PROJECTION
	10 UNDER	± ---	DRAWN BY H. SHIMABUKUR	DATE '04/01/29	TITLE 0.3 FPC CONN (EASY ON) HSG ASSY EMBSTP PKG -LEAD FREE- MOLEX INCORPORATED		
	10 OVER 30 UNDER	± ---	CHECKED BY K. TOJO	DATE '04/01/29			
	30 OVER	± ---	APPROVED BY M. SASAO	DATE '04/01/29			
	ANGULAR	± --- °	MATERIAL NO. SEE CHART		DOCUMENT NO. SD-54393-023	SHEET NO. 3 OF 4	
DRAFT WHERE APPLICABLE MUST REMAIN WITHIN DIMENSIONS		SIZE A3	THIS DRAWING CONTAINS INFORMATION THAT IS PROPRIETARY TO MOLEX INCORPORATED AND SHOULD NOT BE USED WITHOUT WRITTEN PERMISSION				

10 9 8 7 6 5 4 3 2 1

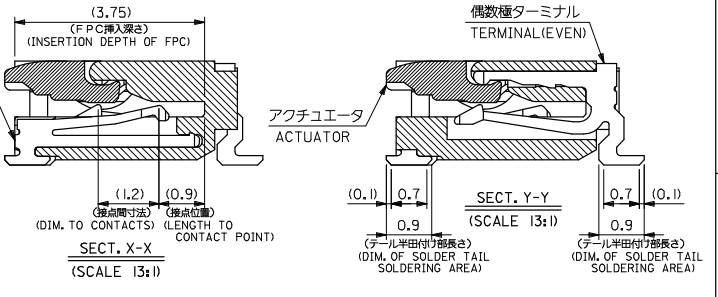
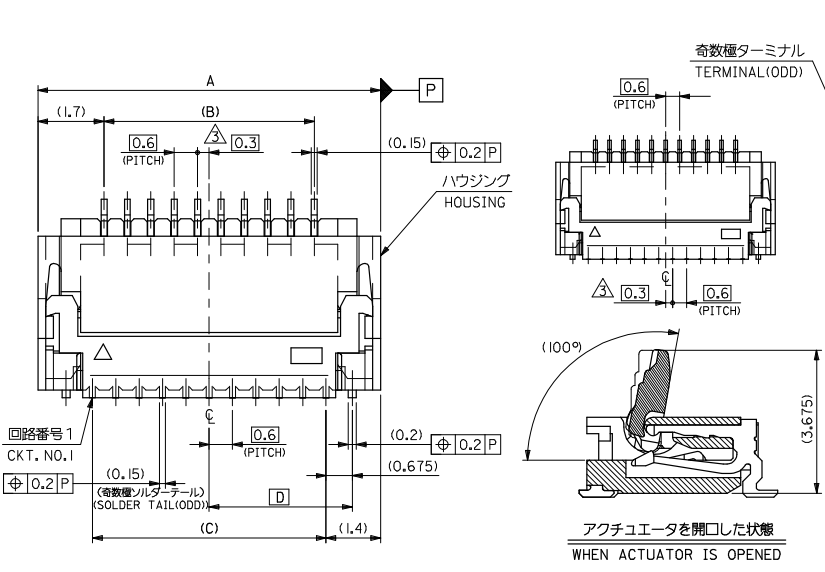


32mm幅キャリアテープ  
32mm WIDTH CARRIER TAPE

32	37.4	33.4	15.2	18.0	54393-5181	51
キャリアテープ幅 CARRIER TAPE WIDTH	D	C	B	A	MATERIAL NO.	部品 CKT.

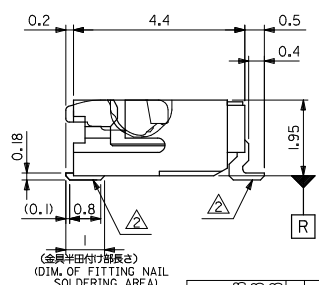
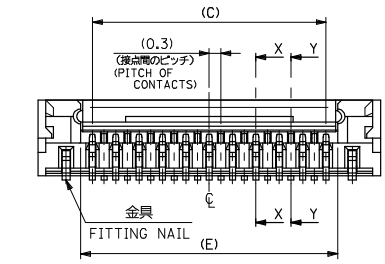
REVISED EC NO: J2006-3255 DRW:HYAJIMA CHK:MTANAKA APPR:NIKIITA 2006/05/22 2006/05/22 2006/05/26	GENERAL TOLERANCES (UNLESS SPECIFIED)		DIMENSION STYLE MM ONLY		SCALE ---	DESIGN UNITS METRIC	THIRD ANGLE PROJECTION
	10 UNDER	± ---	DRAWN BY H.SHIMABUKUR	DATE '04/01/29	TITLE 0.3 FPC CONN (EASY ON) HSG ASSY EMBSTP PKG -LEAD FREE- MOLEX INCORPORATED		
	10 OVER 30 UNDER	± ---	CHECKED BY K.TOJO	DATE '04/01/29			
	30 OVER	± ---	APPROVED BY M.SASAO	DATE '04/01/29			
ANGULAR	± --- °	MATERIAL NO. SEE CHART		DOCUMENT NO. SD-54393-023	SHEET NO. 4 OF 4		
DRAFT WHERE APPLICABLE MUST REMAIN WITHIN DIMENSIONS		THIS DRAWING CONTAINS INFORMATION THAT IS PROPRIETARY TO MOLEX INCORPORATED AND SHOULD NOT BE USED WITHOUT WRITTEN PERMISSION					

10 9 8 7 6 5 4 3 2 1



注記 NOTES

- 1. 使用材料 MATERIAL
  - ハウジング : LCP , UL94V-0
  - ハウジング ACTUATOR : PPS , UL94V-0
  - ターミナル : リン青銅 (t=0.15), ニッケル下地金メッキ
  - 金具 : リン青銅 (t=0.2), ニッケル下地金メッキ
- 2. FITTING NAIL PHOS-BRO., GOLD OVER NICKEL PLATING.
- 3. ソルダータール半田付け面のスレ量、及び金具半田付け面のスレ量は、基準面 R に対し、上方向 OMA X、下方向 O.18MA X、とする。
- 4. 又、粗目のバリつき量は 0.1MA X、とする。
- 5. MISALIGNMENT OF SOLDER TAILS AND FITTING NAILS FROM R UPPER DIRECTION +0 MAX., LOWER DIRECTION : 0.18 MAX. OFFSET BETWEEN SOLDER TAILS AND FITTING NAILS : 0.1 MAX.
- 6. (N-1) / 2 が偶数の場合、偶数極側に適用。
- 7. (N-1) / 2 が奇数の場合、奇数極側に適用。
- 8. IF (N-1) / 2 = EVEN, APPLY FOR EVEN CIRCUIT SIDE.
- 9. IF (N-1) / 2 = ODD, APPLY FOR ODD CIRCUIT SIDE.



15.6	8.175	15	14.4	17.8	54393-5181	54393-5118	51
13.8	7.275	13.2	12.6	16	54393-4581	54393-4518	45
12	6.375	11.4	10.8	14.2	54393-3981	54393-3918	39
10.2	5.475	9.6	9	12.4	54393-3381	54393-3318	33
8.4	4.575	7.8	7.2	10.6	54393-2781	54393-2718	27
7.2	3.975	6.6	6.0	9.4	54393-2381	54393-2318	23
6.6	3.675	6	5.4	8.8	54393-2181	54393-2118	21
5.4	3.075	4.8	4.2	7.6	54393-1781	54393-1718	17

REVISED EC NO: J2008-4034 2008/05/28  
 DRAWN: MABEI 2008/05/28  
 CHECKED: THARYAMA 2008/05/28  
 APPR: NIKITA 2008/05/28

DESCRIPTION: 0.3 FPC CONN (EASY ON) HSG ASSY -LEAD FREE-

GENERAL TOLERANCES (UNLESS SPECIFIED):  
 10 UNDER ± ---  
 10 OVER 30 UNDER ± ---  
 30 OVER ± ---  
 ANGULAR ± --- °  
 DRAFT WHERE APPLICABLE MUST REMAIN WITHIN DIMENSIONS

DIMENSION STYLE: MM ONLY  
 DRAWN BY: H. SHIMABUKUR DATE: '04/01/29  
 CHECKED BY: K. TOJO DATE: '04/01/29  
 APPROVED BY: M. SASAO DATE: '04/01/29

SCALE: 10:1  
 DESIGN UNITS: METRIC  
 THIRD ANGLE PROJECTION

TITLE: 0.3 FPC CONN (EASY ON) HSG ASSY -LEAD FREE-

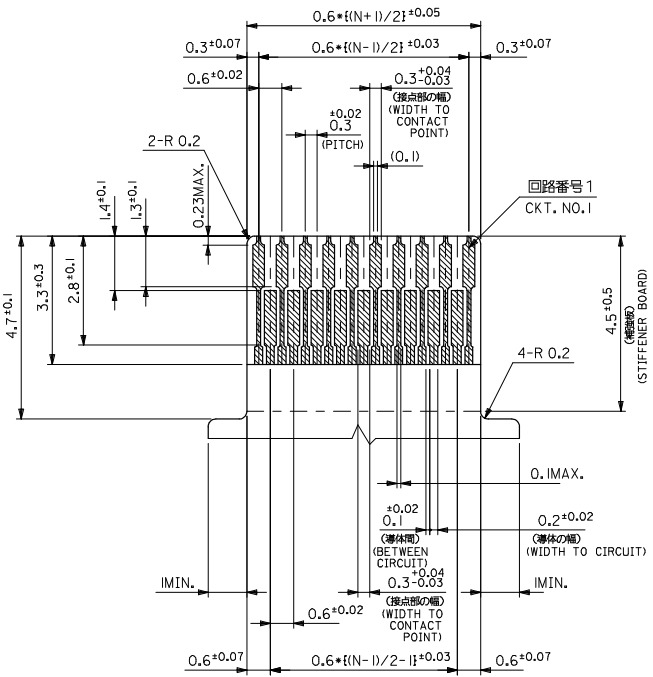
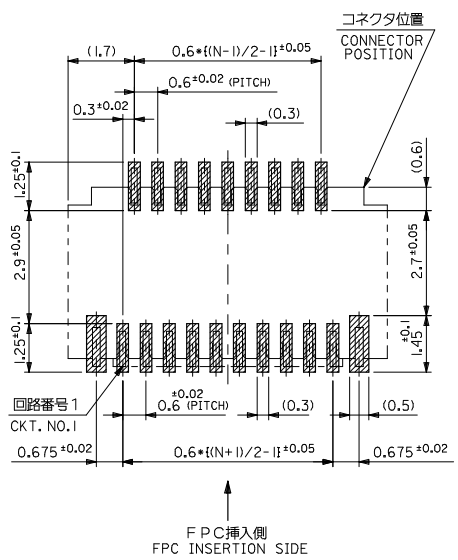
MATERIAL NO.: SEE TABLE  
 DOCUMENT NO.: SD-54393-024

MOLEX MOLEX INCORPORATED

EMBOSSED TAPE ORDER No. オダー番号 MATERIAL NO. CKT. MODEL NO. 54393-\*\*-18

SHEET NO. 1 OF 2

10 9 8 7 6 5 4 3 2 1



参考基板レイアウト  
RECOMMENDED P.C.BOARD  
PATTERN DIM. (REF.)  
(マウント面)  
(MOUNTING SIDE)

FPCについて:  
打抜き方向は導体側から補強板側を推奨致します。  
補強フィルム材質はポリイミドを推奨致します。  
接着剤は熱硬化接着剤を推奨致します。

ABOUT FPC:  
RECOMMENDED PUNCHER DIRECTION : FROM CONDUCTOR SIDE TO STIFFENER BOARD SIDE.  
RECOMMENDED MATERIALS:  
STIFFENER FILM : POLYIMIDE  
BONDING AGENT : THERMOSETTING BONDING AGENT

適合FPC推奨寸法  
APPLICABLE FPC  
RECOMMENDED DIM.  
(仕上がり厚さ: 0.2 ±0.03)  
(THICKNESS : 0.2 ±0.03)

REVISED EC NO: J2008-4034 DRAWN BY: HIRAHARA CHKD: THARYAMA APPR: NIKITA D	DESCRIPTION 2008/05/28 2008/05/28 2008/05/28	GENERAL TOLERANCES (UNLESS SPECIFIED)		DIMENSION STYLE MM ONLY		SCALE ---	DESIGN UNITS METRIC	THIRD ANGLE PROJECTION	
		10 UNDER	±---	DRAWN BY H. SHIMABUKUR	DATE '04/01/29	TITLE 0.3 FPC CONN (EASY ON) HSG ASSY -LEAD FREE-			
		10 OVER 30 UNDER	±---	CHECKED BY K. TOJO	DATE '04/01/29	MOLEX INCORPORATED			
		30 OVER	±---	APPROVED BY M. SASAO	DATE '04/01/29	DOCUMENT NO. SD-54393-024			
ANGULAR ±--- °		DRAFT WHERE APPLICABLE MUST REMAIN WITHIN DIMENSIONS		MATERIAL NO. SEE SHEET 1		SHEET NO. 2 OF 2			