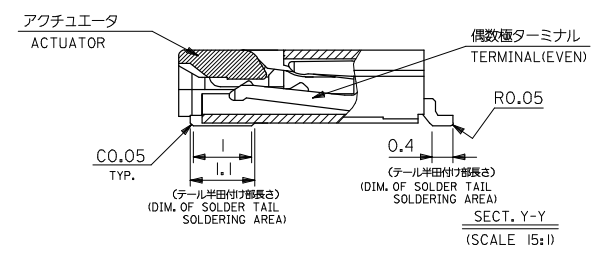
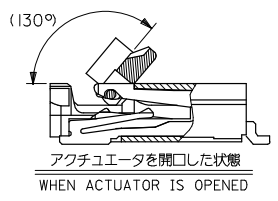
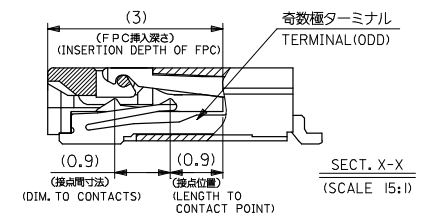
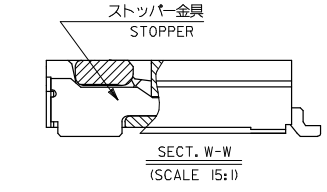
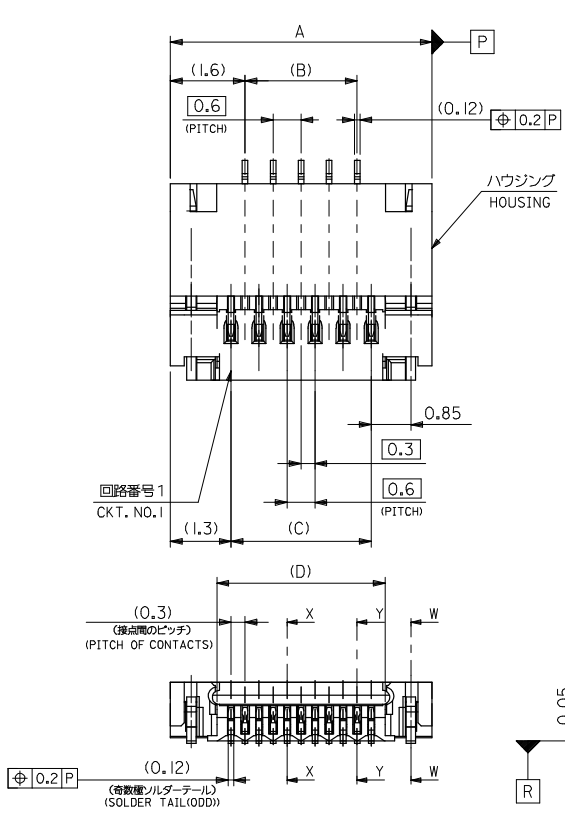
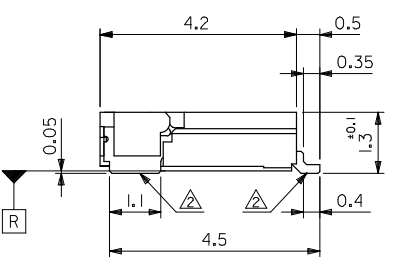


10 9 8 7 6 5 4 3 2 1



回路番号1
CKT. NO.1

- 注記 NOTES**
1. 使用材料 MATERIAL
ハウジング HOUSING: LCP, UL94V-0
アクチュエータ ACTUATOR: PA 46-UL94V-0
ターミナル: リン青銅 (1=0.12), 銀・ビスマス (2%), ニッケル下地
TERMINAL: PHOSPHOR BRONZE, TIN-2% BISMUTH OVER NICKEL PLATING.
金具: リン青銅 (1=0.2), 銀・ビスマス, ニッケル下地
STOPPER: PHOSPHOR BRONZE, TIN OVER NICKEL PLATING.
 2. ソルダテール半田付け面の寸法は、基準面 [R] に対し、
上方0.05MAX., 下方0.1MAX.とする。
又、相違のバツキ幅は0.1MAX.とする。
MISALIGNMENT OF SOLDER TAILS AND FITTING NAILS FROM [R]
UPPER DIRECTION: 0 MAX., LOWER DIRECTION: 0.1 MAX.
OFFSET BETWEEN SOLDER TAILS AND FITTING NAILS: 0.1 MAX.
 3. 一般公差: ±0.3
GENERAL TOLERANCES: ±0.3
 4. 本製品は54809-**-27の鉛フリー品である。
THIS PRODUCT IS LEAD FREE OF 54809-**-27



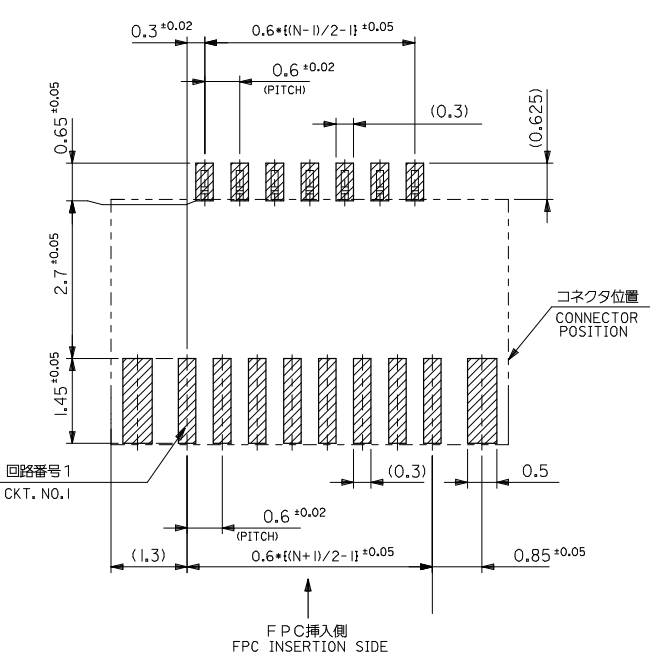
15.6	15.0	14.4	17.6	54809-5198	54809-5128	51
15.0	14.4	13.8	17.0	54809-4998	54809-4928	49
13.8	13.2	12.6	15.8	54809-4598	54809-4528	45
12.0	11.4	10.8	14.0	54809-3998	54809-3928	39
10.8	10.2	9.6	12.8	54809-3598	54809-3528	35
10.2	9.6	9.0	12.2	54809-3398	54809-3328	33
9.6	9.0	8.4	11.6	54809-3198	54809-3128	31
8.4	7.8	7.2	10.4	54809-2798	54809-2728	27
7.8	7.2	6.6	9.8	54809-2598	54809-2528	25
7.2	6.6	6.0	9.2	54809-2398	54809-2328	23
6.6	6.0	5.4	8.6	54809-2198	54809-2128	21
6.0	5.4	4.8	8.0	54809-1998	54809-1928	19
4.8	4.2	3.6	6.8	54809-1598	54809-1528	15
3.6	3.0	2.4	5.6	54809-1198	54809-1128	11
D	C	B	A	EMBOSSED TAPE ORDER No. オ-ダ-番号	MATERIAL NO.	CKT.
				54809-**-28	MODEL NO.	

ib_frame_A3_J_ME_S
Rev. D 2004/04/02

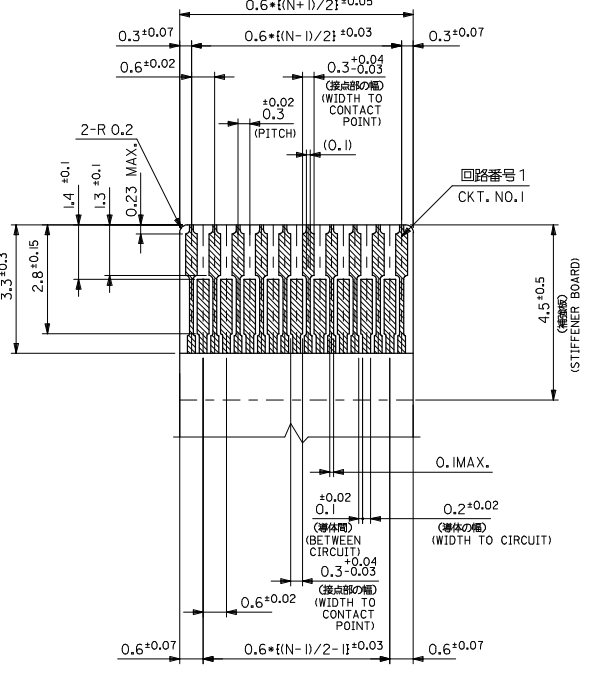
REVISED EC NO: J2008-4026 G DRAWN: MABEL 2008/05/27 CHKD: THARYAMA 2008/05/27 APPR: NIKITA 2008/05/27 REV DESCRIPTION	GENERAL TOLERANCES (UNLESS SPECIFIED)		DIMENSION STYLE MM ONLY		SCALE ---	DESIGN UNITS METRIC	THIRD ANGLE PROJECTION	
	10 UNDER ± --- 10 OVER 30 UNDER ± --- 30 OVER ± ---	± --- ± --- ± ---	DRAWN BY M. NABEI DATE '03/12/22	CHECKED BY K. TOJO DATE '03/12/22	TITLE 0.3 FPC CONN E/O HSG ASSY (H=1.3) -LEAD FREE-			
	ANGULAR ± --- ° DRAFT WHERE APPLICABLE MUST REMAIN WITHIN DIMENSIONS	APPROVED BY M. SASAO DATE '03/12/22	MATERIAL NO. SEE TABLE		DOCUMENT NO. SD-54809-036		SHEET NO. 1 OF 2	
	THIS DRAWING CONTAINS INFORMATION THAT IS PROPRIETARY TO MOLEX INCORPORATED AND SHOULD NOT BE USED WITHOUT WRITTEN PERMISSION							

EN-02JA(021)

10 9 8 7 6 5 4 3 2 1



参考基板レイアウト
RECOMMENDED P.C.BOARD
PATTERN DIM. (REF.)
(マウント面)
(MOUNTING SIDE)



適合FPC推奨寸法
APPLICABLE FPC
RECOMMENDED DIM.
(仕上がり厚さ: 0.2 ± 0.03)
(THICKNESS: 0.2 ± 0.03)

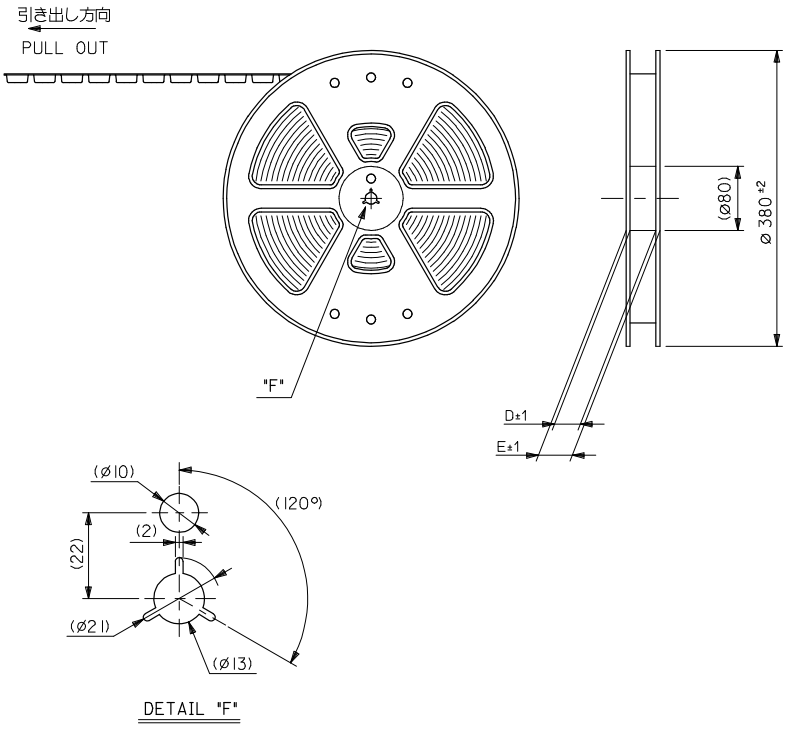
FPCについて:
打抜き方向は、導体側から補強板側を推奨いたします。
補強フィルム材質は、ポリイミドを推奨いたします。
接着剤は、熱硬化接着剤を推奨いたします。

ABOUT FPC
RECOMMENDED PUNCHER DIRECTION: FROM CONDUCTOR SIDE TO STIFFENER BOARD SIDE.

RECOMMENDED MATERIAL
STIFFENER FILM: POLYIMIDE
BONDING AGENT: THERMOSETTING BONDING AGENT

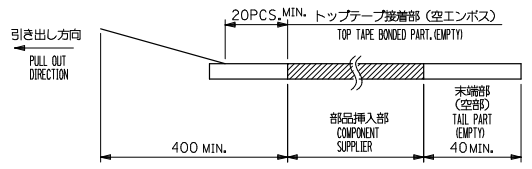
REVISED EC NO: J2008-4026 DRAWN BY: M.NABEI CHKD: THARYAMA APPR: NIKITA	DESCRIPTION G	GENERAL TOLERANCES (UNLESS SPECIFIED)		DIMENSION STYLE MM ONLY		SCALE ---	DESIGN UNITS METRIC	THIRD ANGLE PROJECTION	
		10 UNDER	± ---	DRAWN BY M. NABEI	DATE '03/12/22	TITLE 0.3 FPC CONN E/O HSG ASSY (H=1.3) -LEAD FREE-			
		10 OVER 30 UNDER	± ---	CHECKED BY K. TOJO	DATE '03/12/22	MOLEX INCORPORATED			
		30 OVER	± ---	APPROVED BY M. SASAO	DATE '03/12/22	DOCUMENT NO. SD-54809-036			
ANGULAR ± --- °		DRAFT WHERE APPLICABLE MUST REMAIN WITHIN DIMENSIONS		MATERIAL NO. SEE SHEET 1		SHEET NO. 2 OF 2			
<small>SIZE A3 THIS DRAWING CONTAINS INFORMATION THAT IS PROPRIETARY TO MOLEX INCORPORATED AND SHOULD NOT BE USED WITHOUT WRITTEN PERMISSION</small>									

10 9 8 7 6 5 4 3 2 1

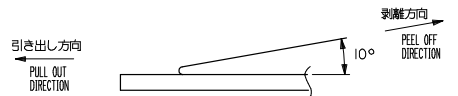


注記 NOTES

1. 製品詳細寸法については、図面SD-54809-036を参照下さい。
RE DETAILED DIMENSION, SEE SD-54809-036.
2. 梱包数量: 2500個/リール
NUMBER OF CONNECTORS: 2500PCS/REEL
3. リードテープ長さ LEAD TAPE LENGTH



4. トップテープの剥離強度: 0.1 ~ 1.3N (10 ~ 130gf) (剥離方向は下図参照)
尚、本規格値は出荷時に適用。(但し、輸送時に剥離が発生しないこと。)
PEELING OFF FORCE OF TOP TAPE: 0.1 ~ 1.3N (10 ~ 130gf)
(PEELING DIRECTION AS SHOWN IN FOLLOWING FIG.)
THIS REQUIREMENT SHOULD BE APPLIED AT SHIPMENT.
PEEL OFF SHOULD NOT BE ALLOWED, DURING TRANSPORTATION.



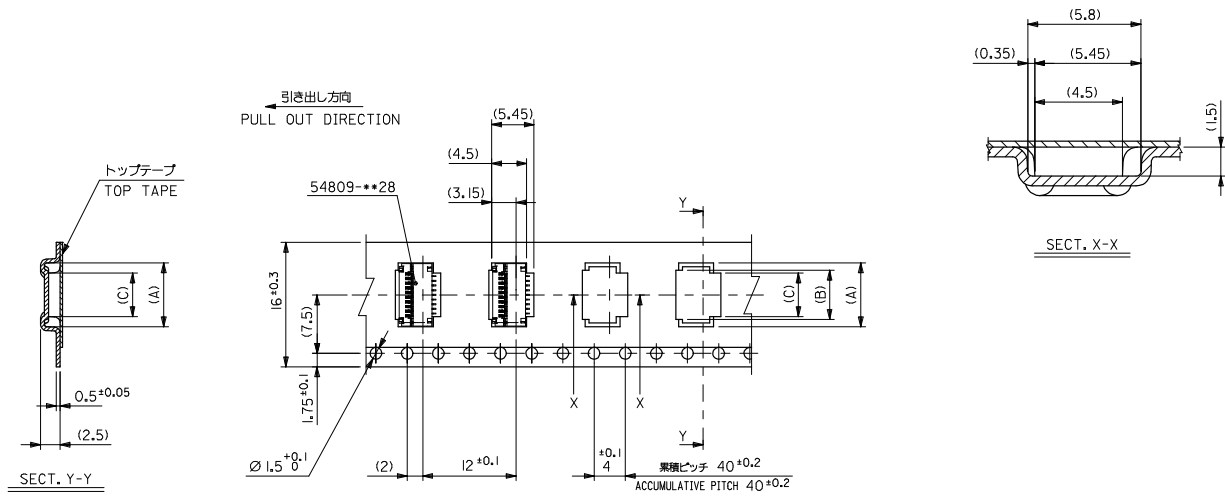
5. 材料 (MATERIAL)
キャリアテープ (CARRIER TAPE): ポリプロピレン (POLYPROPYLENE)
トップテープ (TOP TAPE): PET, PE, PEF
リール (REEL): ポリスチレン (PS) <リサイクル材を含む>
POLYSTYRENE(PS) <RECYCLE MATERIAL CONTAINED>
6. 本製品は54809-**-91の鉛フリー品である。
THIS PRODUCT IS LEAD FREE OF 54809-**-91

tb_frame_A3_J_ME_S
Rev. D 2004/04/02

REVISED EC NO: J2008-4026 DRAWN BY: M.NABEI CHECKED BY: K.TOJO APPROVED BY: M.SASAO DATE: 2008/05/27 DATE: 2008/05/27 DATE: 2008/05/27	GENERAL TOLERANCES (UNLESS SPECIFIED)		DIMENSION STYLE MM ONLY	SCALE ---	54809-***98	MODEL NO.
	10 UNDER	±---	DRAWN BY M.NABEI	DATE '03/12/22	DESIGN UNITS METRIC	THIRD ANGLE PROJECTION
	10 OVER 30 UNDER	±---	CHECKED BY K.TOJO	DATE '03/12/22	TITLE EMBSTP PKG FOR 0.3 FPC CONN E/O -LEAD FREE-	
	30 OVER	±---	APPROVED BY M.SASAO	DATE '03/12/22	MOLEX INCORPORATED	
	ANGULAR ±--- °	DRAFT WHERE APPLICABLE MUST REMAIN WITHIN DIMENSIONS	MATERIAL NO. SEE TABLE	DOCUMENT NO. SD-54809-037	SHEET NO. 1 OF 4	
			THIS DRAWING CONTAINS INFORMATION THAT IS PROPRIETARY TO MOLEX INCORPORATED AND SHOULD NOT BE USED WITHOUT WRITTEN PERMISSION			

EN-02JA(021)

10 9 8 7 6 5 4 3 2 1

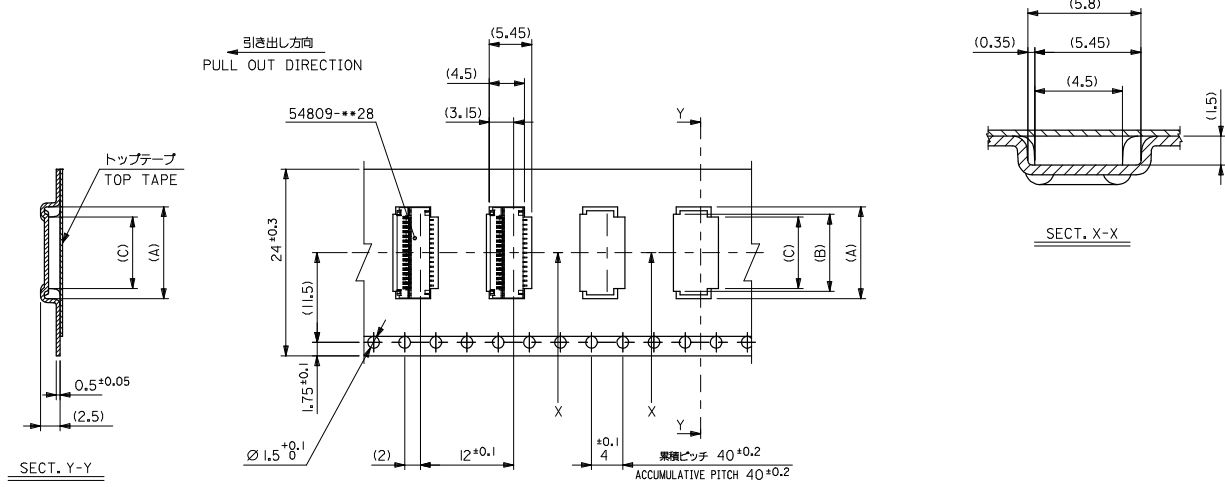


16mm幅キャリアテープ
16mm WIDTH CARRIER TAPE

16	21.4	17.4	6.8	7.5	9.4	54809-2398	23
			6.2	6.9	8.8	54809-2198	21
			5.6	6.3	8.2	54809-1998	19
			4.4	5.1	7.0	54809-1598	15
			3.2	3.9	5.8	54809-1198	11
キャリアテープ幅 CARRIER TAPE WIDTH	E	D	C	B	A	MATERIAL NO.	仕様 CKT.

REVISED EC NO: J2008-4026 DRAWN BY: M. NABEI 2008/05/27 CHECKED BY: CHYK: THARYAMA 2008/05/27 APPR: NIKITA 2008/05/27 B	GENERAL TOLERANCES (UNLESS SPECIFIED)		DIMENSION STYLE MM ONLY		SCALE ---	DESIGN UNITS METRIC	THIRD ANGLE PROJECTION
	10 UNDER	±---	DRAWN BY M. NABEI	DATE '03/12/22	TITLE EMBSTP PKG FOR 0.3 FPC CONN E/O -LEAD FREE-		
	10 OVER 30 UNDER	±---	CHECKED BY K. TOJO	DATE '03/12/22	MOLEX INCORPORATED		
	30 OVER	±---	APPROVED BY M. SASAO	DATE '03/12/22	MATERIAL NO. SEE TABLE	DOCUMENT NO. SD-54809-037	SHEET NO. 2 OF 4
	ANGULAR ±--- °		THIS DRAWING CONTAINS INFORMATION THAT IS PROPRIETARY TO MOLEX INCORPORATED AND SHOULD NOT BE USED WITHOUT WRITTEN PERMISSION				
DRAFT WHERE APPLICABLE MUST REMAIN WITHIN DIMENSIONS		SIZE A3					

10 9 8 7 6 5 4 3 2 1

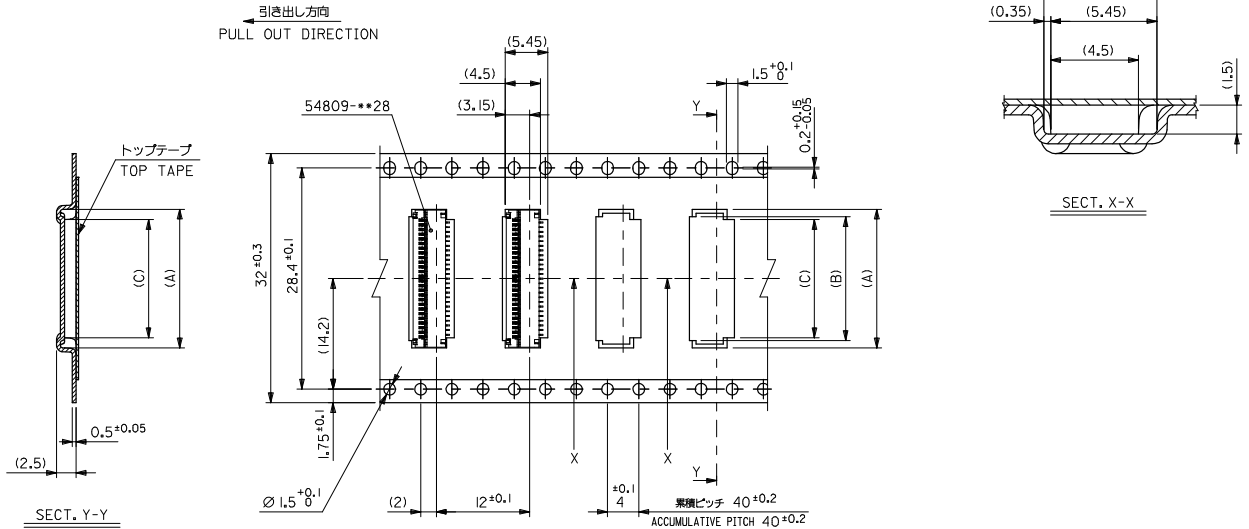


24mm幅キャリアテープ
24mm WIDTH CARRIER TAPE

24	29.4	25.4	13.4	14.1	16.0	54809-4598	45
			11.6	12.3	14.2	54809-3998	39
			10.4	11.1	13.0	54809-3598	35
			9.8	10.5	12.4	54809-3398	33
			9.2	9.9	11.8	54809-3198	31
			8.0	8.7	10.6	54809-2798	27
			7.4	8.1	10.0	54809-2598	25
キャリアテープ幅 CARRIER TAPE WIDTH	E	D	C	B	A	MATERIAL NO.	標記 CKT.

REVISED EC NO: J2008-4026 DRAWN: M.NABEI 2008/05/27 CHECKED: THARYAMA 2008/05/27 APPR: NIKITA 2008/05/27 B	DESCRIPTION GENERAL TOLERANCES (UNLESS SPECIFIED) 10 UNDER ± --- 10 OVER 30 UNDER ± --- 30 OVER ± --- ANGULAR ± --- ° DRAFT WHERE APPLICABLE MUST REMAIN WITHIN DIMENSIONS	DIMENSION STYLE MM ONLY		SCALE ---	DESIGN UNITS METRIC	THIRD ANGLE PROJECTION	
		DRAWN BY M. NABEI	DATE '03/12/22	TITLE EMBSTP PKG FOR 0.3 FPC CONN E/O -LEAD FREE-			
		CHECKED BY K. TOJO	DATE '03/12/22	MOLEX INCORPORATED			
		APPROVED BY M. SASAO	DATE '03/12/22	MATERIAL NO. SEE TABLE	DOCUMENT NO. SD-54809-037	SHEET NO. 3 OF 4	
		THIS DRAWING CONTAINS INFORMATION THAT IS PROPRIETARY TO MOLEX INCORPORATED AND SHOULD NOT BE USED WITHOUT WRITTEN PERMISSION					

10 9 8 7 6 5 4 3 2 1



32mm幅キャリアテープ
32mm WIDTH CARRIER TAPE

32	37.4	33.4	15.2	15.9	17.8	54809-5198	51
キャリアテープ幅 CARRIER TAPE WIDTH	E	D	C	B	A	54809-4998	49

REVISED EC NO: J2008-4026 DRAWN BY: M.NABEI CHECKED BY: K.TOJO APPR: NIKITA DATE: 2008/05/27 DATE: 2008/05/27 DATE: 2008/05/27	GENERAL TOLERANCES (UNLESS SPECIFIED)		DIMENSION STYLE MM ONLY		SCALE ---	DESIGN UNITS METRIC	THIRD ANGLE PROJECTION
	10 UNDER	±---	DRAWN BY M. NABEI	DATE '03/12/22	TITLE EMBSTP PKG FOR 0.3 FPC CONN E/O -LEAD FREE-		
	10 OVER 30 UNDER	±---	CHECKED BY K. TOJO	DATE '03/12/22	MOLEX INCORPORATED		
	30 OVER	±---	APPROVED BY M. SASAO	DATE '03/12/22	MATERIAL NO. SEE TABLE	DOCUMENT NO. SD-54809-037	SHEET NO. 4 OF 4
ANGULAR ±--- °		DRAFT WHERE APPLICABLE MUST REMAIN WITHIN DIMENSIONS		THIS DRAWING CONTAINS INFORMATION THAT IS PROPRIETARY TO MOLEX INCORPORATED AND SHOULD NOT BE USED WITHOUT WRITTEN PERMISSION			