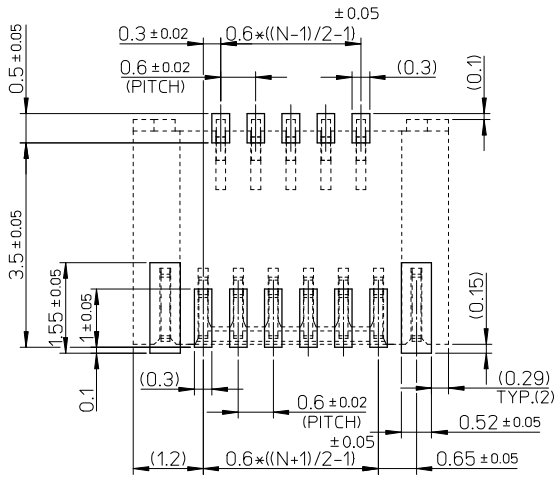
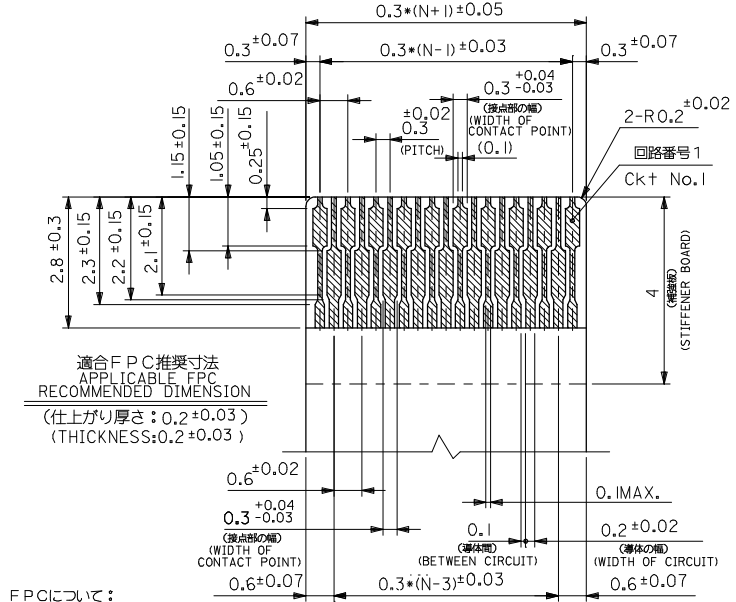


10 9 8 7 6 5 4 3 2 1



参考基板レイアウト図
(マウント面)
(MOUNTING SIDE)



適合FPC推奨寸法
APPLICABLE FPC
RECOMMENDED DIMENSION
(仕上がり厚さ: 0.2±0.03)
(THICKNESS: 0.2±0.03)

FPCについて:
打抜き方向は導体側から補強板側を推奨いたします。
導体部については軟銅箔35マイクロメートルまたは50マイクロメートルを推奨致します。
補強フィルム材質はポリイミドを推奨します。
接着剤は熱硬化接着剤を推奨します。

ABOUT FPC
RECOMMENDED PUNCHER DIRECTION : FROM CONDUCTOR SIDE TO STIFFENER FILM SIDE.
RECOMMENDED CONDUCTOR SPEC :
THICKNESS OF SOFT COPPER FOIL : 35 MICROMETER OR 50 MICROMETER
RECOMMENDED MATERIAL :
STIFFENER FILM : POLYIMIDE
BONDING AGENT : THERMOSETTING BONDING AGENT

注記 NOTES

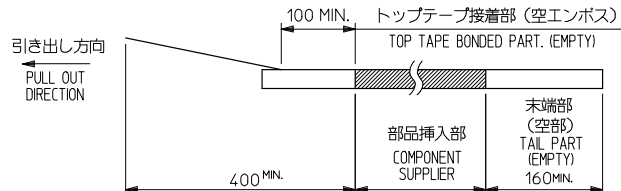
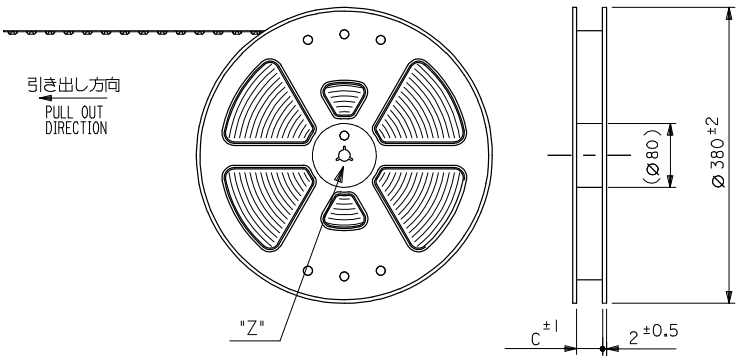
- 使用材料 MATERIAL
ハウジング : 耐熱性樹脂 ガラス充填 UL94V-0
HOUSING : HEAT RESISTANCE POLYMER (GLASS FILLED) UL94V-0
アクチュエータ : 耐熱性樹脂 ガラス充填 UL94V-0
ACTUATOR : HEAT RESISTANCE POLYMER (GLASS FILLED) UL94V-0
ターミナル : 銅合金 (t=0.15), ニッケル下地金メッキ
TERMINAL : COPPER ALLOY, GOLD OVER NICKEL PLATING.
金具 : 銅合金 (t=0.15), ニッケル下地スメッキ
FITTING NAIL : COPPER ALLOY, TIN OVER NICKEL PLATING.
ハウジングに黒点がある場合が有りますが、問題はありません。
- ソルダーテール半田付け面、及び金具半田付け面の平坦度: 0.1mm MAXIMUM.
COPLANARITY OF SOLDER TAILS AND FITTING NAILS TO BE 0.1mm MAXIMUM.
- ELV AND RoHS COMPLIANT.

| | | | | | | | |
|---|--|-----------------------------|--|---------------------|--|------------------------|------------------------|
| REVISED EC NO: J2008-3324 T: DRWNHTAGAMI 2008/03/25 CHKDK: TAKAHASHI 2008/04/07 APPR: K: TAKAHASHI 2008/04/07 | GENERAL TOLERANCES (UNLESS SPECIFIED) | | DIMENSION STYLE MM ONLY | | SCALE ---- | DESIGN UNITS METRIC | THIRD ANGLE PROJECTION |
| | 10 UNDER | ±0.2 | DRAWN BY M. HAYASHI | DATE 2005/07/28 | TITLE 0.3 FPC CONN E/O HSG ASSY (HGT=1.8MM) GOLDPLATING | | |
| | 10 OVER 30 UNDER | ±0.25 | CHECKED BY H. HIRATA | DATE 2005/07/28 | MOLEX INCORPORATED | | |
| | 30 OVER | ±0.3 | APPROVED BY M. SASAO | DATE 2005/07/28 | DOCUMENT NO. SD-501912-001 | | |
| | ANGULAR ±3° | MATERIAL NO. SEE SHEET 1 | | SHEET NO. 2 OF 2 | | | |
| | DRAFT WHERE APPLICABLE MUST REMAIN WITHIN DIMENSIONS | | THIS DRAWING CONTAINS INFORMATION THAT IS PROPRIETARY TO MOLEX INCORPORATED AND SHOULD NOT BE USED WITHOUT WRITTEN PERMISSION | | | | |

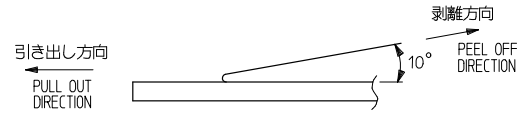
10 9 8 7 6 5 4 3 2 1

NOTES

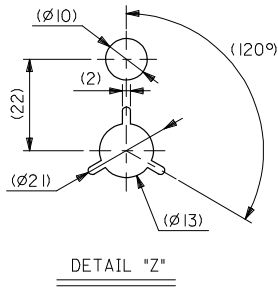
1. 製品詳細寸法は製品単体図面を参照して下さい。
FOR DETAIL OF CONNECTOR DIMENSIONS, PLEASE SEE THE DRAWING OF CONNECTOR ITSELF (NOT PACKAGED).
2. 梱包数量 : 3000個/リール
NUMBER OF CONNECTORS : 3000PCS/REEL
3. リードテープ長さ LEAD TAPE LENGTH



4. トップテープの剥離強度 : 60±35gf (0.25N~0.93N) (剥離方向は下図参照) 尚、本規格値は出荷時に適用。(但し、輸送時に剥離が発生しないこと。)
PEELING OFF FORCE OF TOP TAPE : 65gf±30gf (0.25N~0.93N) (PEELING DIRECTION AS SHOWN IN FOLLOWING FIG.) THIS REQUIREMENT SHOULD BE APPLIED AT SHIPMENT. PEEL OFF SHOULD NOT BE ALLOWED, DURING TRANSPORTATION.

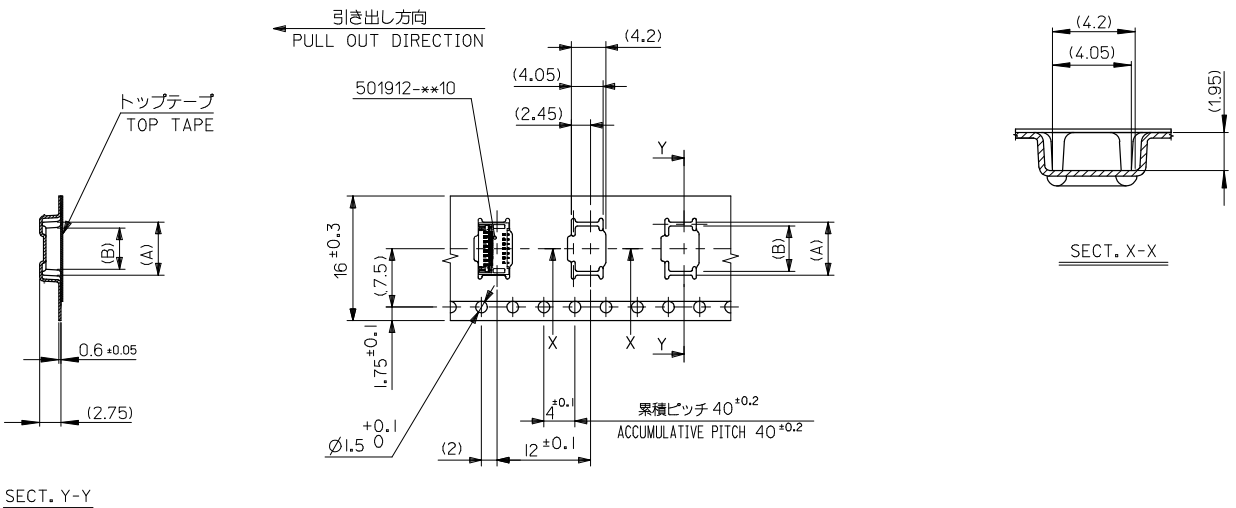


5. 材料(MATERIAL)
キャリアテープ (CARRIER TAPE) : ポリスチレン (POLYSTYREN)
トップテープ (TOP TAPE) : PET, PE, PEF
リール (REEL) : ポリスチレン(PS) <リサイクル材を含む> POLYSTYREN(PS) <RECYCLE MATERIAL CONTAINED>
6. C寸法は SHEET 2-4を参照下さい。
SEE SHEET 2-4(DIMENSION C).
7. ELV AND RoHS COMPLIANT.



| | | | | | | | | | | | | | | | |
|------------------|--|-------------------|--|------------------------|--|-------------|--|--------------|--|---|--|---------------|--|------------------------|--|
| REVISED | | EC NO: J2008-3324 | | 2008/03/25 | | DRAWN BY | | DATE | | TITLE | | 501912-***90 | | MODEL NO. | |
| T:DRW:HTAGAMI | | CHYKOKI:KAKAHASHI | | 2008/04/07 | | M. HAYASHI | | 2005/10/11 | | EMBSTP PKG FOR 0.3 FPC | | --- | | THIRD ANGLE PROJECTION | |
| APPR:K:KAKAHASHI | | 2008/04/07 | | CHECKED BY | | H. HIRATA | | 2005/10/11 | | CONN (HGT=1.8MM) | | METRIC | | | |
| | | | | APPROVED BY | | M. SASAO | | 2005/10/11 | | GOLD PLATING | | | | | |
| | | | | ANGULAR | | ±3 ° | | MATERIAL NO. | | MOLEX INCORPORATED | | | | | |
| | | | | DRAFT WHERE APPLICABLE | | MUST REMAIN | | SEE TABLE | | DOCUMENT NO. | | SD-501912-002 | | SHEET NO. | |
| | | | | WITHIN DIMENSIONS | | SIZE | | A3 | | THIS DRAWING CONTAINS INFORMATION THAT IS PROPRIETARY TO MOLEX INCORPORATED AND SHOULD NOT BE USED WITHOUT WRITTEN PERMISSION | | 1 OF 4 | | | |

10 9 8 7 6 5 4 3 2 1

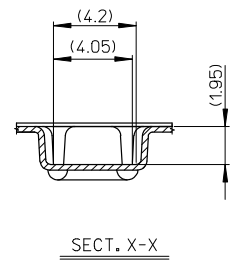
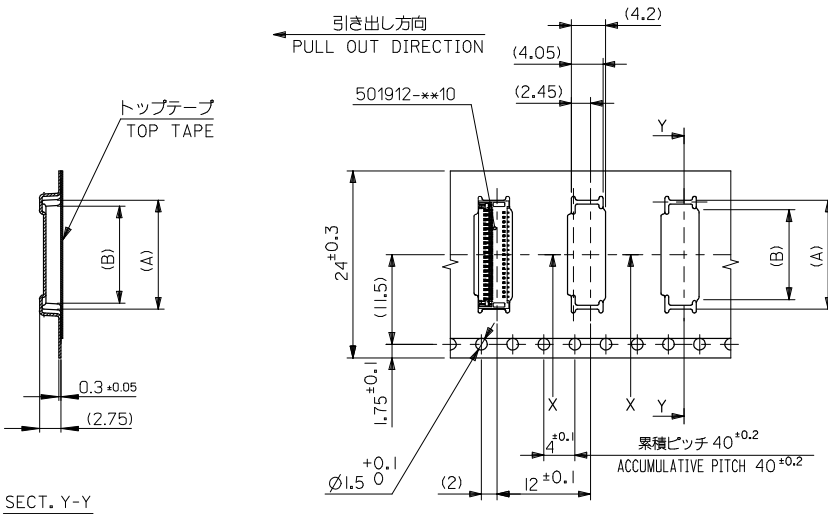


16 mm幅キャリアテープ
16mm WIDTH CARRIER TAPE

| | | | | | |
|--------------------------------|------|-----|-----|----------------------|-----------|
| 16 | 17.5 | 4.6 | 6.8 | 501912-1590 | 15 |
| キャリアテープ幅 CARRIER TAPE WIDTH | C | (B) | (A) | 製品番号 MATERIAL No. | 極数 CK+ |
| | | | | 501912-**-**90 | MODEL No. |

| | | | | | | | |
|--|---------------------------------------|--------|---|--------------------|---|-------------------------------|---------------------|
| REVISED EC NO: J2008-3324 T: DRW: H. TAGAMI 2008/03/25 CHYK: K. TAKAHASHI 2008/04/07 APPR: K. TAKAHASHI 2008/04/07 | GENERAL TOLERANCES (UNLESS SPECIFIED) | | DIMENSION STYLE MM ONLY | SCALE --- | DESIGN UNITS METRIC | THIRD ANGLE PROJECTION | |
| | 10 UNDER | ± 0.2 | DRAWN BY M. HAYASHI | DATE 2005/10/11 | TITLE EMBSTP PKG FOR 0.3 FPC CONN (HGT=1.8MM) GOLD PLATING | | |
| | 10 OVER 30 UNDER | ± 0.25 | CHECKED BY H. HIRATA | DATE 2005/10/11 | MOLEX INCORPORATED | | |
| | 30 OVER | ± 0.3 | APPROVED BY M. SASAO | DATE 2005/10/11 | MATERIAL NO. SEE TABLE | DOCUMENT NO. SD-501912-002 | SHEET NO. 2 OF 4 |
| | ANGULAR ± 3 ° | | THIS DRAWING CONTAINS INFORMATION THAT IS PROPRIETARY TO MOLEX INCORPORATED AND SHOULD NOT BE USED WITHOUT WRITTEN PERMISSION | | | | |
| DRAFT WHERE APPLICABLE MUST REMAIN WITHIN DIMENSIONS | | | | | | | |

10 9 8 7 6 5 4 3 2 1



SECT. Y-Y

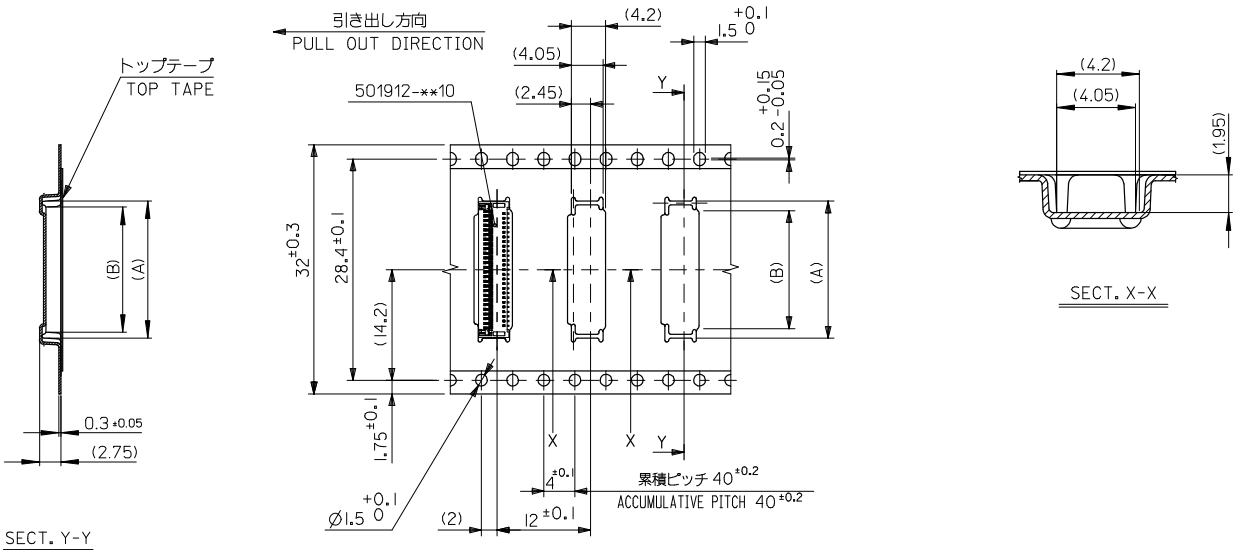
SECT. X-X

24mm幅キャリアテープ
24mm WIDTH CARRIER TAPE

| | | | | | |
|--------------------------------|------|-------------|------|----------------------|-----------|
| 24 | 25.5 | 12.4 | 14.6 | 501912-4190 | 41 |
| | | 11.8 | 14.0 | 501912-3990 | 39 |
| | | 11.2 | 13.4 | 501912-3790 | 37 |
| | | 10.6 | 12.8 | 501912-3590 | 35 |
| | | 10.0 | 12.2 | 501912-3390 | 33 |
| | | 8.2 | 10.4 | 501912-2790 | 27 |
| | | 7.6 | 9.8 | 501912-2590 | 25 |
| | | 7.0 | 9.2 | 501912-2390 | 23 |
| 6.4 | 8.6 | 501912-2190 | 21 | | |
| キャリアテープ幅 CARRIER TAPE WIDTH | C | (B) | (A) | 製品番号 MATERIAL No. | 極数 CK+ |

| | | | | | | | |
|--|---------------------------------------|-------|--|--------------------|--|-------------------------------|---------------------|
| REVISED J2008-3324 2008/03/25 TIDRWNHTAGAMI 2008/04/07 CHYKOKITAKAHASHI 2008/04/07 APPRKTAKAHASHI 2008/04/07 | GENERAL TOLERANCES (UNLESS SPECIFIED) | | DIMENSION STYLE MM ONLY | SCALE --- | DESIGN UNITS METRIC | THIRD ANGLE PROJECTION | |
| | 10 UNDER | ±0.2 | DRAWN BY M. HAYASHI | DATE 2005/10/11 | TITLE EMBSTP PKG FOR 0.3 FPC CONN (HGT=1.8MM) GOLD PLATING | | |
| | 10 OVER 30 UNDER | ±0.25 | CHECKED BY H. HIRATA | DATE 2005/10/11 | MOLEX INCORPORATED | | |
| | 30 OVER | ±0.3 | APPROVED BY M. SASAO | DATE 2005/10/11 | MATERIAL NO. SEE TABLE | DOCUMENT NO. SD-501912-002 | SHEET NO. 3 OF 4 |
| | ANGULAR ±3° | | DRAFT WHERE APPLICABLE MUST REMAIN WITHIN DIMENSIONS | | THIS DRAWING CONTAINS INFORMATION THAT IS PROPRIETARY TO MOLEX INCORPORATED AND SHOULD NOT BE USED WITHOUT WRITTEN PERMISSION | | |

10 9 8 7 6 5 4 3 2 1



32mm幅キャリアテープ
32mm WIDTH CARRIER TAPE

| | | | | | |
|--------------------------------|------|------|------|----------------------|-----------|
| 32 | 33.5 | 15.4 | 17.6 | 501912-5190 | 51 |
| キャリアテープ幅 CARRIER TAPE WIDTH | C | (B) | 14.2 | 501912-4790 | 47 |
| | | (A) | 13.6 | 501912-4590 | 45 |
| | | | | 製品番号 MATERIAL No. | 極数 CK+ |
| | | | | 501912-**-**90 | MODEL No. |

| | | | | | | | |
|---|---------------------------------------|-------|---|--------------------|---|-------------------------------|---------------------|
| REVISED EC NO: J2008-3324 T: DRWN: HTAGAMI 2008/03/25 CHYK: K: TAKAHASHI 2008/04/07 APPR: K: TAKAHASHI 2008/04/07 | GENERAL TOLERANCES (UNLESS SPECIFIED) | | DIMENSION STYLE MM ONLY | SCALE --- | DESIGN UNITS METRIC | THIRD ANGLE PROJECTION | |
| | 10 UNDER | ±0.2 | DRAWN BY M. HAYASHI | DATE 2005/10/11 | TITLE EMBSTP PKG FOR 0.3 FPC CONN (HGT=1.8MM) GOLD PLATING | | |
| | 10 OVER 30 UNDER | ±0.25 | CHECKED BY H. HIRATA | DATE 2005/10/11 | MOLEX INCORPORATED | | |
| | 30 OVER | ±0.3 | APPROVED BY M. SASAO | DATE 2005/10/11 | MATERIAL NO. SEE TABLE | DOCUMENT NO. SD-501912-002 | SHEET NO. 4 OF 4 |
| | ANGULAR ±3° | | THIS DRAWING CONTAINS INFORMATION THAT IS PROPRIETARY TO MOLEX INCORPORATED AND SHOULD NOT BE USED WITHOUT WRITTEN PERMISSION | | | | |
| DRAFT WHERE APPLICABLE MUST REMAIN WITHIN DIMENSIONS | | | | | | | |