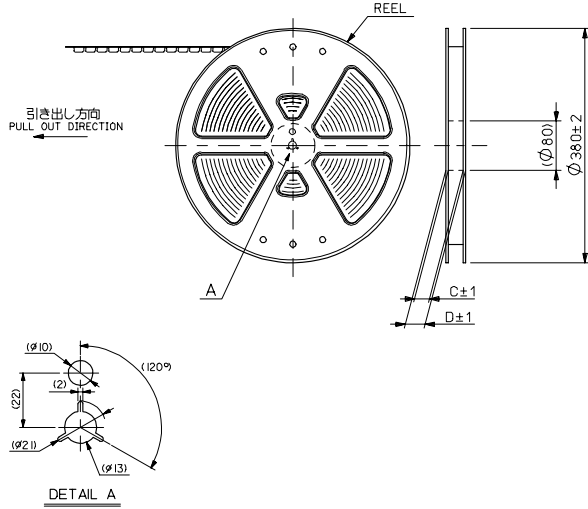
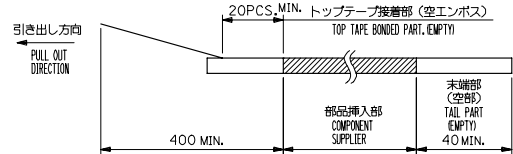


10 9 8 7 6 5 4 3 2 1

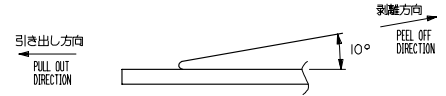


**注記 NOTES**

1. 製品詳細寸法については、図面SD-54393-024を参照下さい。  
RE DETAILED DIMENSION, SEE SD-54393-024.
2. 梱包数量：2000個/リール  
NUMBER OF CONNECTORS：2000PCS/REEL
3. リードテープ長さ LEAD TAPE LENGTH

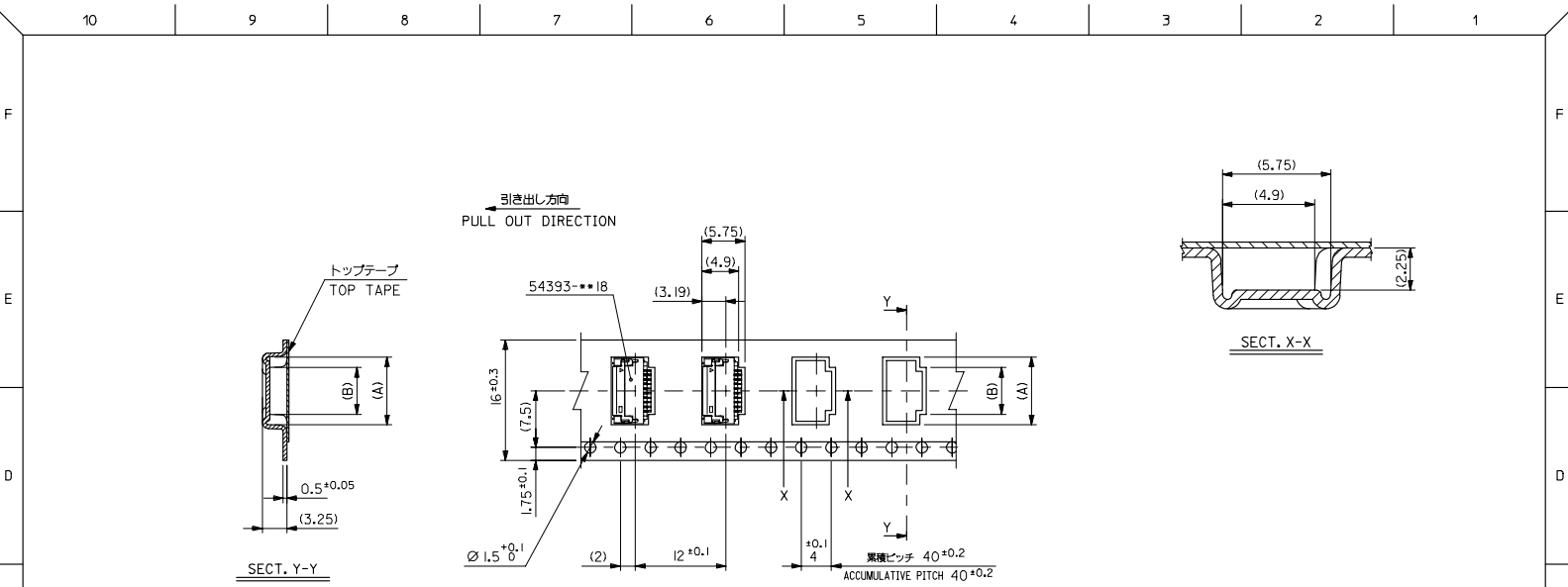


4. トップテープの剥離強度：0.1N~1.3N (10gf~130gf)  
(剥離方向は下図参照)  
尚、本規格値は出荷時に適用。(但し、輸送時に剥離が発生しないこと。)  
PEELING OFF FORCE OF TOP TAPE：0.1N ~ 1.3N(10gf ~ 130gf)  
(PEELING DIRECTION AS SHOWN IN FOLLOWING FIG.)  
THIS REQUIREMENT SHOULD BE APPLIED AT SHIPMENT.  
PEEL OFF SHOULD NOT BE ALLOWED, DURING TRANSPORTATION.



5. 材料 (MATERIAL)  
キャリアテープ (CARRIER TAPE)：ポリプロピレン (POLYPROPYLENE)  
トップテープ (TOP TAPE)：PET, PE, PEF  
リール (REEL)：ポリスチレン (PS) <リサイクル材を含む>  
POLYSTYREN (PS) <RECYCLE MATERIAL CONTAINED>
6. 本製品は54393-\*\*-91の鉛フリー品です。  
THIS PRODUCT IS LEAD FREE OF 54393-\*\*-91

REVISED IEC NO.: J2006-3255 DRW:HYAJIMA CHK:MTANAKA APPR:NIKIITA 2006/05/22 2006/05/22 2006/05/26	GENERAL TOLERANCES (UNLESS SPECIFIED)		DIMENSION STYLE MM ONLY		SCALE ---	54393-**-81	MODEL NO.	
	10 UNDER	± ---	DRAWN BY H.SHIMABUKUR	DATE '04/01/29	TITLE 0.3 FPC CONN (EASY ON) HSG ASSY EMBSTP PKG -LEAD FREE-	DESIGN UNITS METRIC	THIRD ANGLE PROJECTION	
	10 OVER 30 UNDER	± ---	CHECKED BY K.TOJO	DATE '04/01/29		MOLEX INCORPORATED	DOCUMENT NO. SD-54393-023	SHEET NO. 1 OF 4
	30 OVER	± ---	APPROVED BY M.SASAO	DATE '04/01/29				
ANGULAR	± --- °	MATERIAL NO. SEE CHART						
DRAFT WHERE APPLICABLE MUST REMAIN WITHIN DIMENSIONS			SIZE A3		THIS DRAWING CONTAINS INFORMATION THAT IS PROPRIETARY TO MOLEX INCORPORATED AND SHOULD NOT BE USED WITHOUT WRITTEN PERMISSION			



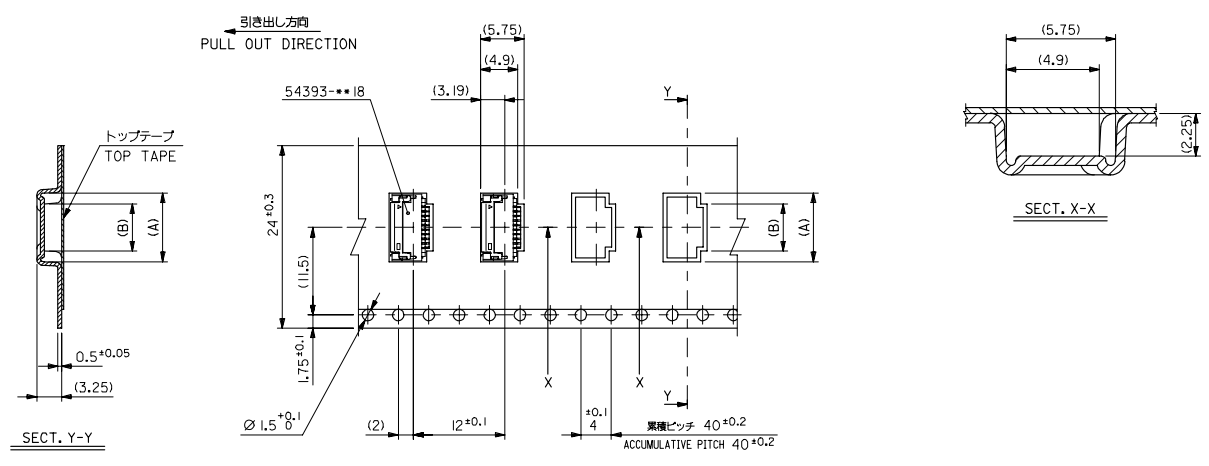
16mm幅キャリアテープ  
16mm WIDTH CARRIER TAPE

16	21.4	17.4	5.0	7.8	54393-1781	I7
キャリアテープ幅 CARRIER TAPE WIDTH	D	C	B	A	MATERIAL NO.	図号 CKT.

REVISED REV. NO. J2006-3255 EC NO. J2006-3255 DRW:HYAJIMA CHK:MTANAKA APP:NUMITA	2006/05/22	2006/05/22	2006/05/26	DESCRIPTION	GENERAL TOLERANCES (UNLESS SPECIFIED)	DIMENSION STYLE MM ONLY	SCALE ---	DESIGN UNITS METRIC	THIRD ANGLE PROJECTION	TITLE 0.3 FPC CONN (EASY ON) HSG ASSY EMBSTP PKG -LEAD FREE-	MODEL NO. 54393-***18	SHEET NO. 2 OF 4	
	10 UNDER	± ---	DRAWN BY H.SHIMABUKUR										DATE '04/01/29
	10 OVER 30 UNDER	± ---	CHECKED BY K.TOJO										DATE '04/01/29
	30 OVER	± ---	APPROVED BY M.SASAO										DATE '04/01/29
ANGULAR	± --- °	MATERIAL NO.		DRAFT WHERE APPLICABLE MUST REMAIN WITHIN DIMENSIONS		SEE CHART		DOCUMENT NO. SD-54393-023		MATERIAL NO. 54393-***18			
THIS DRAWING CONTAINS INFORMATION THAT IS PROPRIETARY TO MOLEX INCORPORATED AND SHOULD NOT BE USED WITHOUT WRITTEN PERMISSION													

10 9 8 7 6 5 4 3 2 1

F E D C B A

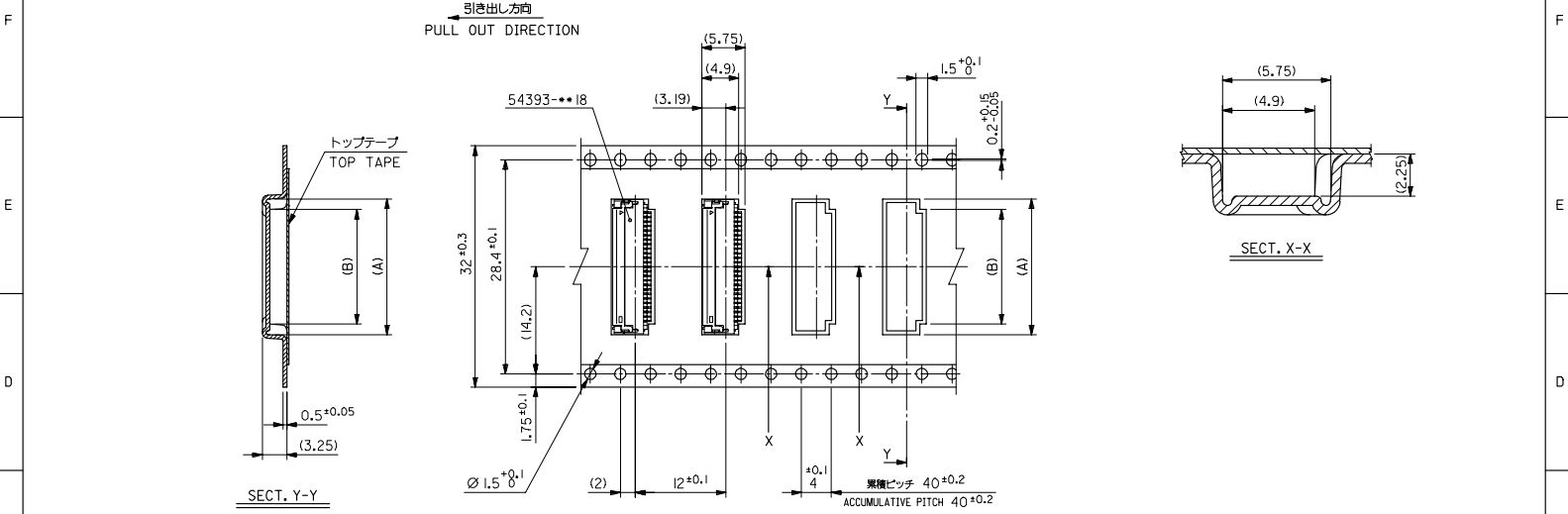


24mm幅キャリアテープ  
24mm WIDTH CARRIER TAPE

24	29.4	25.4	13.4	16.2	54393-4581	45
			11.6	14.4	54393-3981	39
			9.8	12.6	54393-3381	33
			8.0	10.8	54393-2781	27
			6.8	9.6	54393-2381	23
			6.2	9.0	54393-2181	21
キャリアテープ幅 CARRIER TAPE WIDTH	D	C	B	A	MATERIAL NO.	図 庫 番 号 CKT.

REVISED IEC NO: J2006-3255 DRW: H.YAJIMA CHK: H.TANAKA APPR: N. KITA 2006/05/22 2006/05/22 2006/05/26	GENERAL TOLERANCES (UNLESS SPECIFIED)		DIMENSION STYLE MM ONLY		SCALE ---	DESIGN UNITS METRIC	THIRD ANGLE PROJECTION
	10 UNDER	± ---	DRAWN BY H. SHIMABUKUR	DATE '04/01/29	TITLE 0.3 FPC CONN (EASY ON) HSG ASSY EMBSTP PKG -LEAD FREE- MOLEX INCORPORATED		
	10 OVER 30 UNDER	± ---	CHECKED BY K. TOJO	DATE '04/01/29			
	30 OVER	± ---	APPROVED BY M. SASAO	DATE '04/01/29			
	ANGULAR	± --- °	MATERIAL NO. SEE CHART		DOCUMENT NO. SD-54393-023	SHEET NO. 3 OF 4	
DRAFT WHERE APPLICABLE MUST REMAIN WITHIN DIMENSIONS		SIZE A3	THIS DRAWING CONTAINS INFORMATION THAT IS PROPRIETARY TO MOLEX INCORPORATED AND SHOULD NOT BE USED WITHOUT WRITTEN PERMISSION				

10 9 8 7 6 5 4 3 2 1

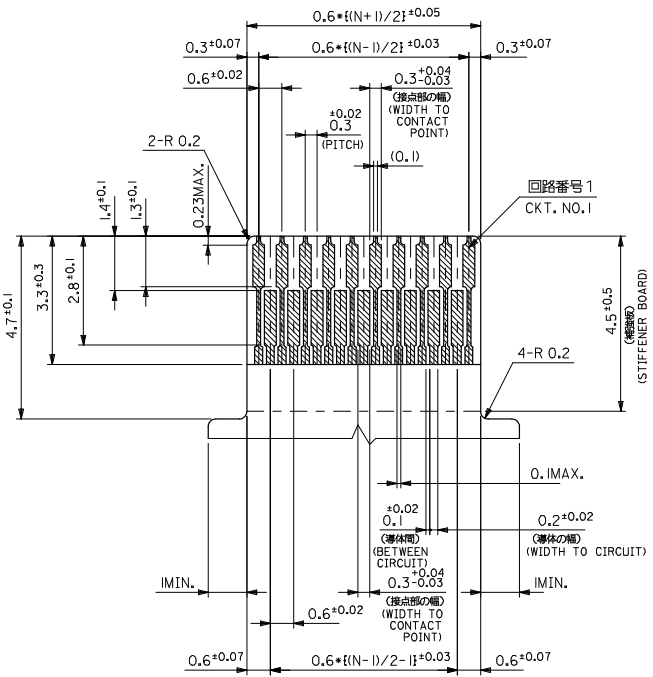
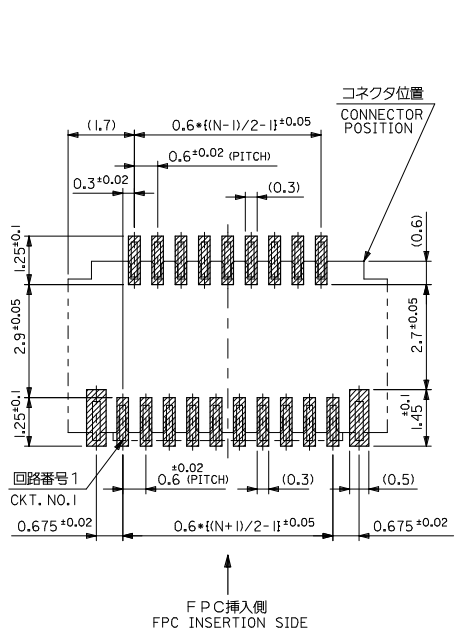


32mm幅キャリアテープ  
32mm WIDTH CARRIER TAPE

32	37.4	33.4	15.2	18.0	54393-5181	51
キャリアテープ幅 CARRIER TAPE WIDTH	D	C	B	A	MATERIAL NO.	部品 CKT.

REVISED EC NO: J2006-3255 DRW:HYAJIMA CHK:MTANAKA APP:NUMITA	2006/05/22	GENERAL TOLERANCES (UNLESS SPECIFIED)	DIMENSION STYLE MM ONLY	SCALE ---	DESIGN UNITS METRIC	THIRD ANGLE PROJECTION	
	2006/05/22	10 UNDER ± ---	DRAWN BY H.SHIMABUKUR	DATE '04/01/29	TITLE 0.3 FPC CONN (EASY ON) HSG ASSY EMBSTP PKG -LEAD FREE-		
	2006/05/26	10 OVER 30 UNDER ± ---	CHECKED BY K.TOJO	DATE '04/01/29	MOLEX INCORPORATED		
		30 OVER ± ---	APPROVED BY M.SASAO	DATE '04/01/29	MATERIAL NO. SEE CHART	DOCUMENT NO. SD-54393-023	SHEET NO. 4 OF 4
		ANGULAR ± --- °	DRAFT WHERE APPLICABLE MUST REMAIN WITHIN DIMENSIONS				INCORPORATED AND SHOULD NOT BE USED WITHOUT WRITTEN PERMISSION





参考基板レイアウト  
RECOMMENDED P.C.BOARD  
PATTERN DIM. (REF.)  
(マウント面)  
(MOUNTING SIDE)

FPCについて:  
打抜き方向は導体側から補強板側を推奨致します。  
補強フィルム材質はポリイミドを推奨致します。  
接着剤は熱硬化接着剤を推奨致します。

ABOUT FPC:  
RECOMMENDED PUNCHER DIRECTION : FROM CONDUCTOR SIDE TO STIFFENER BOARD SIDE.  
RECOMMENDED MATERIALS:  
STIFFENER FILM : POLYIMIDE  
BONDING AGENT : THERMOSETTING BONDING AGENT

適合FPC推奨寸法  
APPLICABLE FPC  
RECOMMENDED DIM.  
(仕上がり厚さ: 0.2 ±0.03)  
(THICKNESS : 0.2 ±0.03)

REVISED EC NO: J2008-4034 DRAWN BY: HIRAHARA CHKD: THARYAMA APPR: NIKITA D	DESCRIPTION 2008/05/28 2008/05/28 2008/05/28	GENERAL TOLERANCES (UNLESS SPECIFIED)		DIMENSION STYLE MM ONLY		SCALE ---	DESIGN UNITS METRIC	THIRD ANGLE PROJECTION	
		10 UNDER	± ---	DRAWN BY H. SHIMABUKUR	DATE '04/01/29	TITLE 0.3 FPC CONN (EASY ON) HSG ASSY -LEAD FREE-			
		10 OVER 30 UNDER	± ---	CHECKED BY K. TOJO	DATE '04/01/29	MOLEX INCORPORATED			
		30 OVER	± ---	APPROVED BY M. SASAO	DATE '04/01/29	DOCUMENT NO. SD-54393-024			
ANGULAR ± --- °		DRAFT WHERE APPLICABLE MUST REMAIN WITHIN DIMENSIONS		MATERIAL NO. SEE SHEET 1		SHEET NO. 2 OF 2			