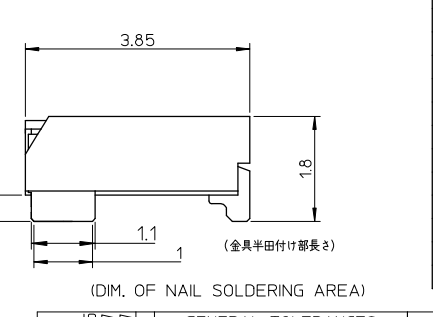
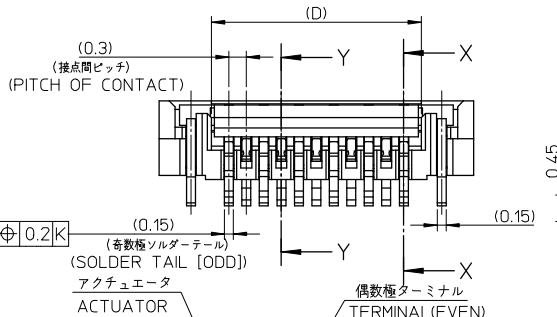
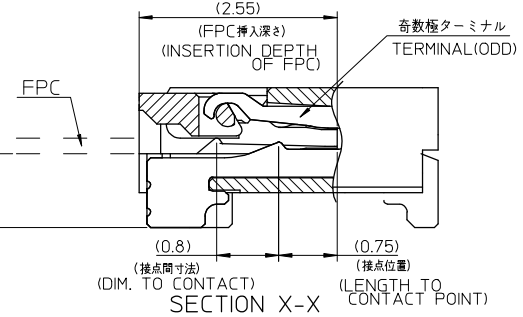
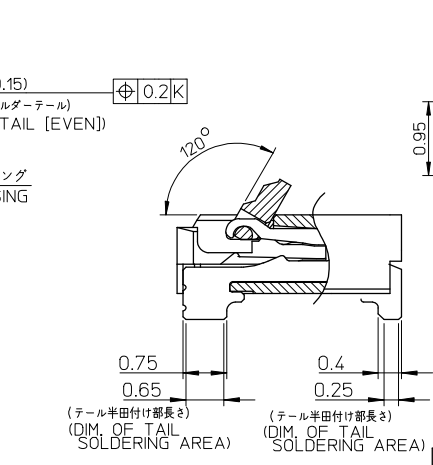
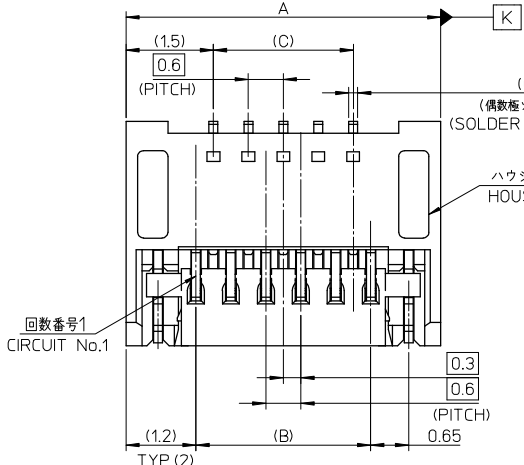
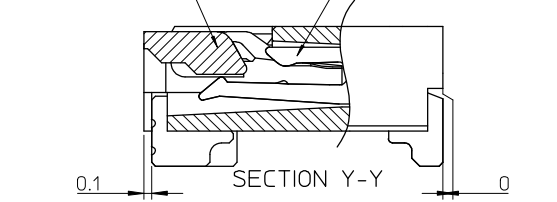


10 9 8 7 6 5 4 3 2 1



15.6	14.4	15.0	17.4	501912-5190	501912-5110	51
14.4	13.2	13.8	16.2	501912-4790	501912-4710	47
13.8	12.6	13.2	15.6	501912-4590	501912-4510	45
12.6	11.4	12.0	14.4	501912-4190	501912-4110	41
12.0	10.8	11.4	13.8	501912-3990	501912-3910	39
11.4	10.2	10.8	13.2	501912-3790	501912-3710	37
10.8	9.6	10.2	12.6	501912-3590	501912-3510	35
10.2	9.0	9.6	12.0	501912-3390	501912-3310	33
8.4	7.2	7.8	10.2	501912-2790	501912-2710	27
7.8	6.6	7.2	9.6	501912-2590	501912-2510	25
7.2	6.0	6.6	9.0	501912-2390	501912-2310	23
6.6	5.4	6.0	8.4	501912-2190	501912-2110	21
4.8	3.6	4.2	6.6	501912-1590	501912-1510	15



REVISED EC NO: J2008-3324 TIDRWNHTAGAMI 2008/03/25 CHYKDKTAKAHASHI 2008/04/07 APPR:KIKAKAHASHI 2008/04/07 REV DESCRIPTION	GENERAL TOLERANCES (UNLESS SPECIFIED)		DIMENSION STYLE	SCALE	DESIGN UNITS	MODEL No. 501912-***10 TITLE 0.3 FPC CONN E/O HSG ASSY (HGT=1.8MM) GOLDPLATING MOLEX INCORPORATED MATERIAL No. SD-501912-001 SHEET NO. 1 OF 2
	10 UNDER	± 0.2	MM ONLY	15:1	METRIC	
	10 OVER 30 UNDER	± 0.25	DRAWN BY	DATE		
	30 OVER	± 0.3	M.HAYASHI	2005/07/28		
	ANGULAR	± 3°	CHECKED BY	DATE		
DRAFT WHERE APPLICABLE MUST REMAIN WITHIN DIMENSIONS			M. SASAO	2005/07/28		APPROVED BY
SIZE A			THIS DRAWING CONTAINS INFORMATION THAT IS PROPRIETARY TO MOLEX INCORPORATED AND SHOULD NOT BE USED WITHOUT WRITTEN PERMISSION			

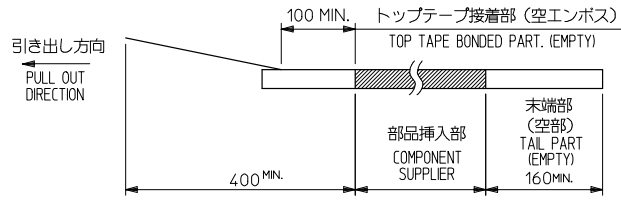
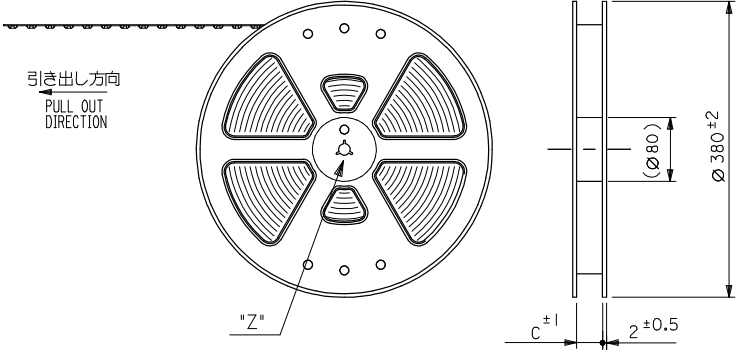
lb_frame_A3_J_AM.S
Rev. D 2004/06/28

EN-02DA(021)

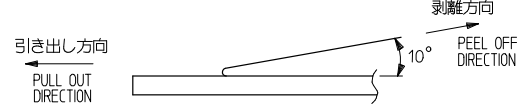
10 9 8 7 6 5 4 3 2 1

NOTES

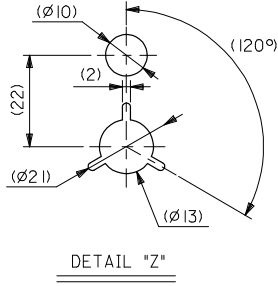
1. 製品詳細寸法は製品単体図面を参照して下さい。
FOR DETAIL OF CONNECTOR DIMENSIONS, PLEASE SEE THE DRAWING OF CONNECTOR ITSELF (NOT PACKAGED).
2. 梱包数量 : 3000個/リール
NUMBER OF CONNECTORS : 3000PCS/REEL
3. リードテープ長さ LEAD TAPE LENGTH



4. トップテープの剥離強度 : 60±35gf (0.25N~0.93N) (剥離方向は下図参照) 尚、本規格値は出荷時に適用。(但し、輸送時に剥離が発生しないこと。)
PEELING OFF FORCE OF TOP TAPE : 65gf±30gf (0.25N~0.93N) (PEELING DIRECTION AS SHOWN IN FOLLOWING FIG.) THIS REQUIREMENT SHOULD BE APPLIED AT SHIPMENT. PEEL OFF SHOULD NOT BE ALLOWED, DURING TRANSPORTATION.

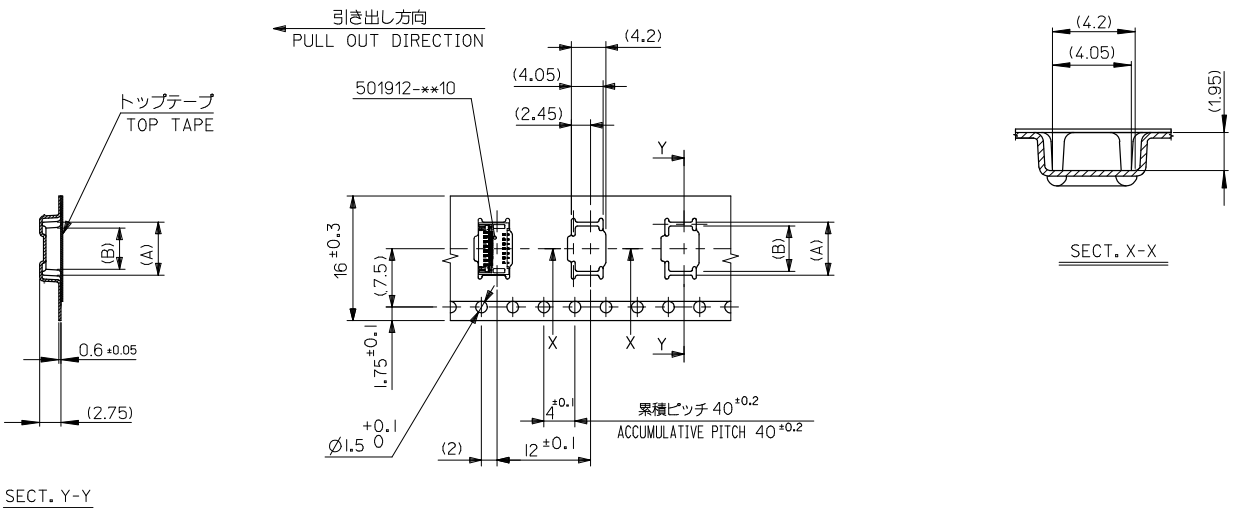


5. 材料(MATERIAL)
キャリアテープ (CARRIER TAPE) : ポリスチレン (POLYSTYRENE)
トップテープ (TOP TAPE) : PET, PE, PEF
リール(REEL) : ポリスチレン(PS) <リサイクル材を含む>
POLYSTYRENE(PS) <RECYCLE MATERIAL CONTAINED>
6. C寸法は SHEET 2-4を参照下さい。
SEE SHEET 2-4(DIMENSION C).
7. ELV AND RoHS COMPLIANT.



REVISED		EC NO: J2008-3324		2008/03/25		DRAWN BY		DATE		TITLE		501912-***90		MODEL NO.	
T:DRW:HTAGAMI		CHYKOKI:KAKAHASHI		2008/04/07		M. HAYASHI		2005/10/11		EMBSTP PKG FOR 0.3 FPC		---		THIRD ANGLE PROJECTION	
APPR:K:KAKAHASHI		2008/04/07		CHECKED BY		H. HIRATA		2005/10/11		CONN (HGT=1.8MM)		METRIC			
				APPROVED BY		M. SASAO		2005/10/11		GOLD PLATING					
				ANGULAR		±3 °		MATERIAL NO.		MOLEX INCORPORATED					
				DRAFT WHERE APPLICABLE		MUST REMAIN		SEE TABLE		DOCUMENT NO.		SD-501912-002		SHEET NO.	
				WITHIN DIMENSIONS		SIZE		A3		THIS DRAWING CONTAINS INFORMATION THAT IS PROPRIETARY TO MOLEX INCORPORATED AND SHOULD NOT BE USED WITHOUT WRITTEN PERMISSION				1 OF 4	

10 9 8 7 6 5 4 3 2 1



SECT. Y-Y

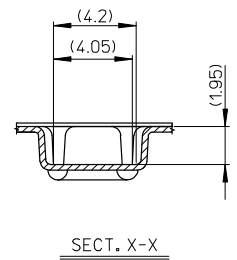
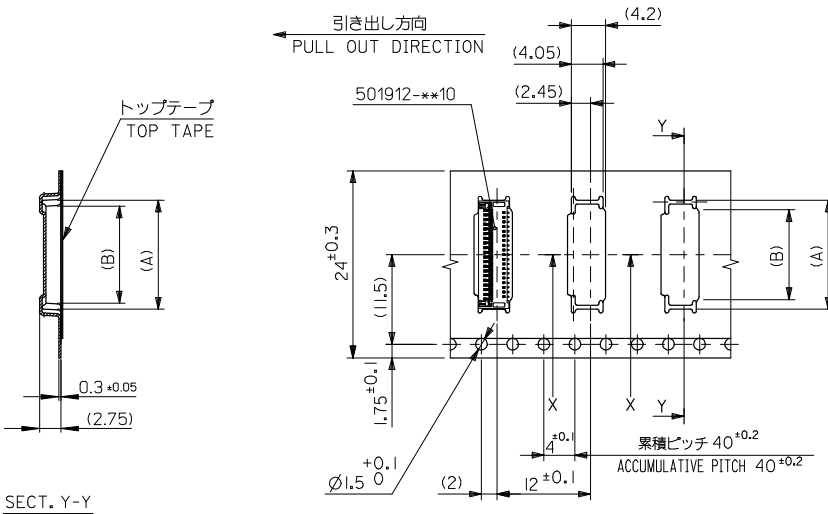
SECT. X-X

16 mm幅キャリアテープ
16mm WIDTH CARRIER TAPE

16	17.5	4.6	6.8	501912-1590	15
キャリアテープ幅 CARRIER TAPE WIDTH	C	(B)	(A)	製品番号 MATERIAL No.	極数 CK+
				501912-**-**90	MODEL No.

REVISED EC NO: J2008-3324 T: DRW: H. TAGAMI 2008/03/25 CHYK: K. TAKAHASHI 2008/04/07 APPR: K. TAKAHASHI 2008/04/07	GENERAL TOLERANCES (UNLESS SPECIFIED)		DIMENSION STYLE MM ONLY	SCALE ---	DESIGN UNITS METRIC	THIRD ANGLE PROJECTION	
	10 UNDER	± 0.2	DRAWN BY M. HAYASHI	DATE 2005/10/11	TITLE EMBSTP PKG FOR 0.3 FPC CONN (HGT=1.8MM) GOLD PLATING		
	10 OVER 30 UNDER	± 0.25	CHECKED BY H. HIRATA	DATE 2005/10/11	MOLEX INCORPORATED		
	30 OVER	± 0.3	APPROVED BY M. SASAO	DATE 2005/10/11	MATERIAL NO. SEE TABLE	DOCUMENT NO. SD-501912-002	SHEET NO. 2 OF 4
	ANGULAR ± 3 °		DRAFT WHERE APPLICABLE MUST REMAIN WITHIN DIMENSIONS				

10 9 8 7 6 5 4 3 2 1

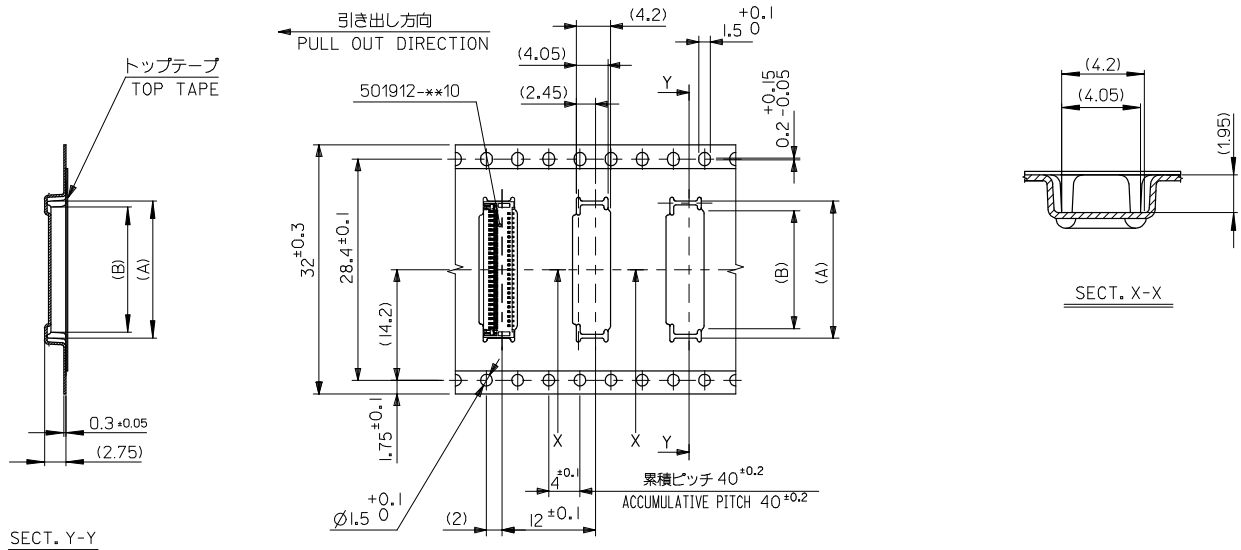


24mm幅キャリアテープ
24mm WIDTH CARRIER TAPE

24	25.5	12.4	14.6	501912-4190	41
		11.8	14.0	501912-3990	39
		11.2	13.4	501912-3790	37
		10.6	12.8	501912-3590	35
		10.0	12.2	501912-3390	33
		8.2	10.4	501912-2790	27
		7.6	9.8	501912-2590	25
		7.0	9.2	501912-2390	23
6.4	8.6	501912-2190	21		
キャリアテープ幅 CARRIER TAPE WIDTH	C	(B)	(A)	製品番号 MATERIAL No.	極数 CK+

REVISED JEC NO: J2008-3324 T: DRWN:HITAGAMI 2008/03/25 CHYKOKI:TAKAHASHI 2008/04/07 APPR:K:TAKAHASHI 2008/04/07	GENERAL TOLERANCES (UNLESS SPECIFIED)		DIMENSION STYLE MM ONLY	SCALE ---	DESIGN UNITS METRIC	THIRD ANGLE PROJECTION
	10 UNDER	±0.2	DRAWN BY M. HAYASHI	DATE 2005/10/11	TITLE EMBSTP PKG FOR 0.3 FPC CONN (HGT=1.8MM) GOLD PLATING	
	10 OVER 30 UNDER	±0.25	CHECKED BY H. HIRATA	DATE 2005/10/11	MOLEX INCORPORATED	
	30 OVER	±0.3	APPROVED BY M. SASAO	DATE 2005/10/11	MATERIAL NO. SEE TABLE	DOCUMENT NO. SD-501912-002
ANGULAR ±3°		DRAFT WHERE APPLICABLE MUST REMAIN WITHIN DIMENSIONS		THIS DRAWING CONTAINS INFORMATION THAT IS PROPRIETARY TO MOLEX INCORPORATED AND SHOULD NOT BE USED WITHOUT WRITTEN PERMISSION		

10 9 8 7 6 5 4 3 2 1



32mm幅キャリアテープ
32mm WIDTH CARRIER TAPE

32	33.5	15.4	17.6	501912-5190	51
キャリアテープ幅 CARRIER TAPE WIDTH	C	(B)	14.2	501912-4790	47
		(A)	13.6	501912-4590	45
				製品番号 MATERIAL No.	極数 CK+
				501912-**-**90	MODEL No.

REVISED EC NO: J2008-3324 T: DRW: H. TAGAMI 2008/03/25 CHYK: K. TAKAHASHI 2008/04/07 APPR: K. TAKAHASHI 2008/04/07	GENERAL TOLERANCES (UNLESS SPECIFIED)		DIMENSION STYLE MM ONLY	SCALE ---	DESIGN UNITS METRIC	THIRD ANGLE PROJECTION	
	10 UNDER	±0.2	DRAWN BY M. HAYASHI	DATE 2005/10/11	TITLE EMBSTP PKG FOR 0.3 FPC CONN (HGT=1.8MM) GOLD PLATING		
	10 OVER 30 UNDER	±0.25	CHECKED BY H. HIRATA	DATE 2005/10/11	MOLEX INCORPORATED		
	30 OVER	±0.3	APPROVED BY M. SASAO	DATE 2005/10/11	MATERIAL NO. SEE TABLE	DOCUMENT NO. SD-501912-002	SHEET NO. 4 OF 4
	ANGULAR ±3°		THIS DRAWING CONTAINS INFORMATION THAT IS PROPRIETARY TO MOLEX INCORPORATED AND SHOULD NOT BE USED WITHOUT WRITTEN PERMISSION				
DRAFT WHERE APPLICABLE MUST REMAIN WITHIN DIMENSIONS							