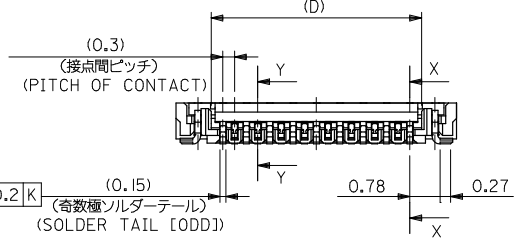
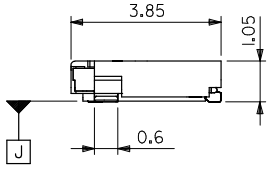
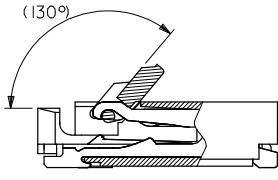
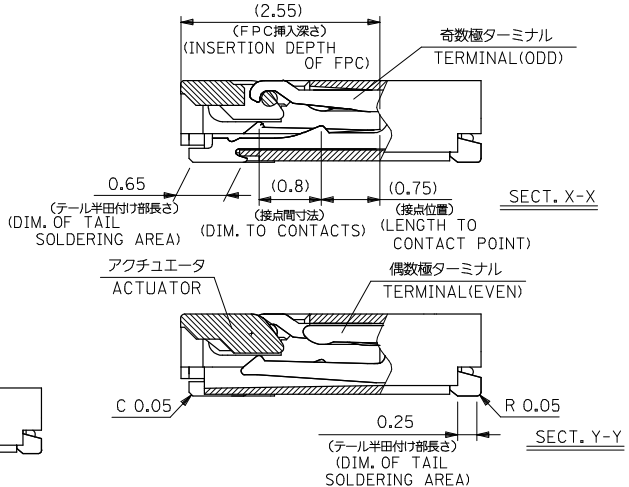
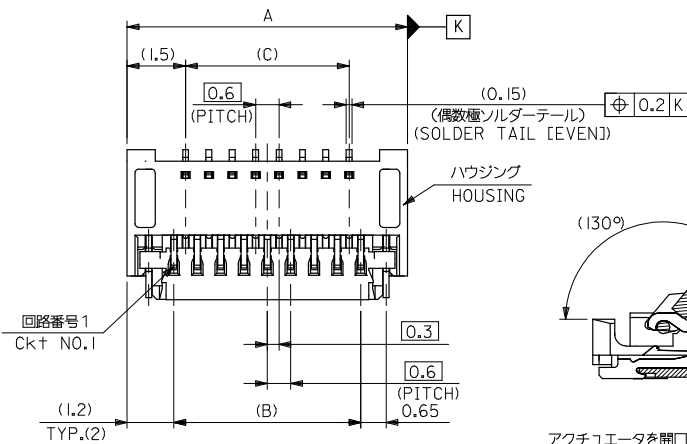
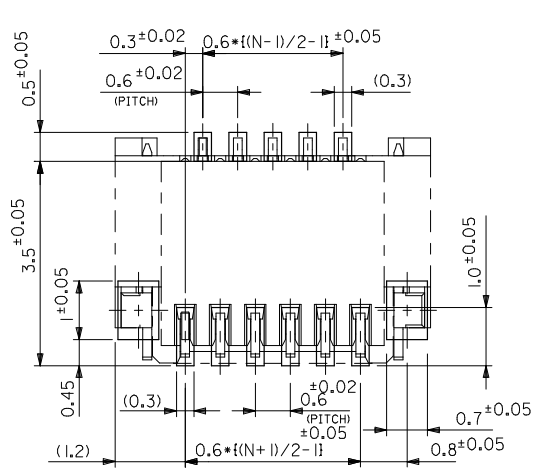


10 9 8 7 6 5 4 3 2 1



| | | | | | | |
|------|------|------|------|-----------------|--------------|-----------|
| 15.6 | 14.4 | 15.0 | 17.4 | 500797-5194 | 500797-5150 | 51 |
| 12.6 | 11.4 | 12.0 | 14.4 | 500797-4194 | 500797-4150 | 41 |
| 12.0 | 10.8 | 11.4 | 13.8 | 500797-3994 | 500797-3950 | 39 |
| 10.8 | 9.6 | 10.2 | 12.6 | 500797-3594 | 500797-3550 | 35 |
| 10.2 | 9.0 | 9.6 | 12.0 | 500797-3394 | 500797-3350 | 33 |
| 9.6 | 8.4 | 9.0 | 11.4 | 500797-3194 | 500797-3150 | 31 |
| 8.4 | 7.2 | 7.8 | 10.2 | 500797-2794 | 500797-2750 | 27 |
| 7.8 | 6.6 | 7.2 | 9.6 | 500797-2594 | 500797-2550 | 25 |
| 7.2 | 6.0 | 6.6 | 9.0 | 500797-2394 | 500797-2350 | 23 |
| 5.4 | 4.2 | 4.8 | 7.2 | 500797-1794 | 500797-1750 | 17 |
| 4.8 | 3.6 | 4.2 | 6.6 | 500797-1594 | 500797-1550 | 15 |
| 3.6 | 2.4 | 3.0 | 5.4 | 500797-1194 | 500797-1150 | 11 |
| D | C | B | A | EMBOSSED TAPE | MATERIAL NO. | CKT. |
| | | | | ORDER No. オート番号 | 500797-**50 | MODEL No. |

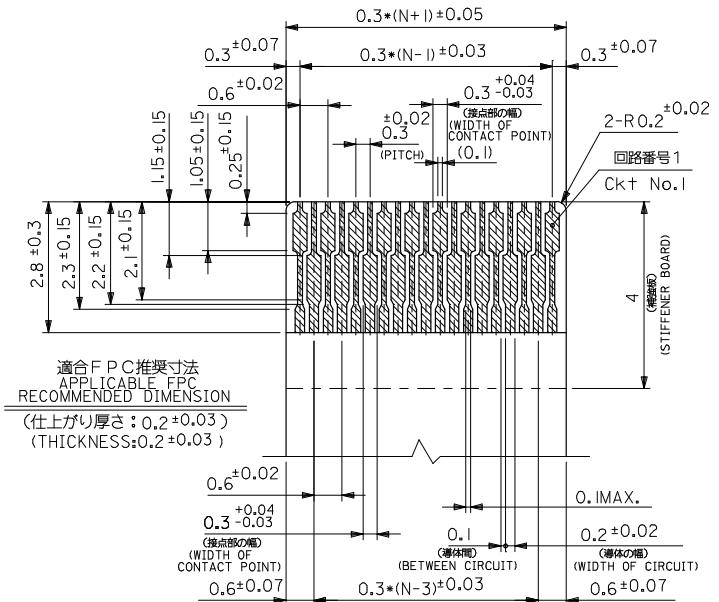
| | | | | | | | |
|---|---------------------------------------|--|----------------------------|--|--|-------------------------------|---------------------------|
| REVISED EC NO: J2008-4034 DRAWN BY: 2008/05/28 CHYKO:THAYUAWA APPR: NUKITA 2008/05/28 | GENERAL TOLERANCES (UNLESS SPECIFIED) | | DIMENSION STYLE MM ONLY | | SCALE --- | DESIGN UNITS METRIC | THIRD ANGLE PROJECTION |
| | 10 UNDER | ±0.2 | DRAWN BY YMAEDA | DATE 2006/03/07 | TITLE 0.3 FPC CONN E/O HSG ASSY (HGT=1.05MM) GOLD PLATING -LEAD FREE- | | |
| | 10 OVER 30 UNDER | ±0.25 | CHECKED BY MTANAKA | DATE 2006/03/07 | MOLEX INCORPORATED | | |
| | 30 OVER | ±0.3 | APPROVED BY NUKITA | DATE 2006/03/07 | MATERIAL NO. SEE TABLE | DOCUMENT NO. SD-500797-005 | SHEET NO. 1 OF 2 |
| ANGULAR ±3° | | DRAFT WHERE APPLICABLE MUST REMAIN WITHIN DIMENSIONS | | THIS DRAWING CONTAINS INFORMATION THAT IS PROPRIETARY TO MOLEX INCORPORATED AND SHOULD NOT BE USED WITHOUT WRITTEN PERMISSION | | | |



参考基板レイアウト図
(マウント面)
(MOUNTING SIDE)

注記 NOTES

1. 使用材料 MATERIAL
 ハウジング : 液晶ポリマー ガラス充填 UL94V-0
 HOUSING : LIQUID CRYSTAL POLYMER (GLASS FILLED) UL94V-0
 アクチュエータ : 46 ナイロン ガラス充填 UL94V-0
 ACTUATOR : 46 NYLON (GLASS FILLED) UL94V-0
 ターミナル : 銅合金 (t=0.15), ニッケル下地メッキ
 TERMINAL : COPPER ALLOY, GOLD OVER NICKEL PLATING.
 金具 : リン青銅 (t=0.15), ニッケル下地メッキ
 FITTING NAIL : PHOSPHOR-BRONZE, TIN OVER NICKEL PLATING.
 △ ソルダータール半田付け面のズレ量, 及び金具半田付け面のズレ量は, 基準面 □ に対し,
 上方向 0.1MAXIMUM, 下方向 0.15MAXIMUM とする。
 又, 相互のバラツキ量は 0.1MAXIMUM とする。
 MISALIGNMENT OF SOLDER TAILS AND FITTING NAILS FROM □
 UPPER DIRECTION : 0.1 MAXIMUM, LOWER DIRECTION : 0.15 MAXIMUM.
 OFFSET BETWEEN SOLDER TAILS AND FITTING NAILS : 0.1 MAXIMUM.



適合FPC推奨寸法
APPLICABLE FPC
RECOMMENDED DIMENSION
(仕上がり厚さ: 0.2±0.03)
(THICKNESS: 0.2±0.03)

FPCについて:
 打抜き方向は導体側から補強板側を推奨いたします。
 導体側については軟銅箔35マイクロメートルまたは50マイクロメートルを
 推奨致します。
 補強フィルム材質はポリイミドを推奨します。
 接着剤は熱硬化接着剤を推奨します。

ABOUT FPC
 RECOMMENDED PUNCHER DIRECTION : FROM CONDUCTOR SIDE TO STIFFENER FILM SIDE.
 RECOMMENDED CONDUCTOR SPEC :
 THICKNESS OF SOFT COPPER FOIL : 35 MICROMETER OR 50 MICROMETER
 RECOMMENDED MATERIAL :
 STIFFENER FILM : POLYIMIDE
 BONDING AGENT : THERMOSETTING BONDING AGENT

| | |
|-------------|------------------------|
| 500797-**50 | MODEL NO. |
| --- | THIRD ANGLE PROJECTION |

| | | | | | | | | | |
|--|---|--|-------|-----------------------------|--------------------|--|------------------------|--|--|
| REVISED EC NO: J2008-4034 DRAWN BY: DRWNMBEL CHKD: THARYAMA APPR: NUKITA | DESCRIPTION 2008/05/28 2008/05/28 2008/05/28 | GENERAL TOLERANCES (UNLESS SPECIFIED) | | DIMENSION STYLE MM ONLY | | SCALE --- | DESIGN UNITS METRIC | THIRD ANGLE PROJECTION | |
| | | 10 UNDER | ±0.2 | DRAWN BY YMAEDA | DATE 2006/03/06 | TITLE 0.3 FPC CONN E/O HSG ASSY (HGT=1.05MM) GOLD PLATING -LEAD FREE- | | | |
| | | 10 OVER 30 UNDER | ±0.25 | CHECKED BY MTANAKA | DATE 2006/03/06 | MOLEX INCORPORATED | | | |
| | | 30 OVER | ±0.3 | APPROVED BY NUKITA | DATE 2006/03/06 | DOCUMENT NO. SD-500797-005 | | | |
| ANGULAR ±3 ° | | DRAFT WHERE APPLICABLE MUST REMAIN WITHIN DIMENSIONS | | MATERIAL NO. SEE SHEET 1 | | SHEET NO. 2 OF 2 | | THIS DRAWING CONTAINS INFORMATION THAT IS PROPRIETARY TO MOLEX INCORPORATED AND SHOULD NOT BE USED WITHOUT WRITTEN PERMISSION | |

10 9 8 7 6 5 4 3 2 1

F

E

D

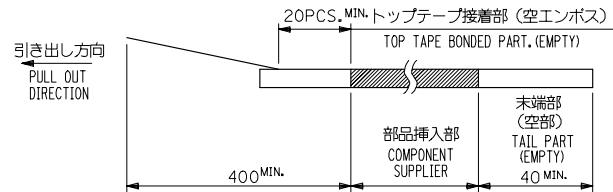
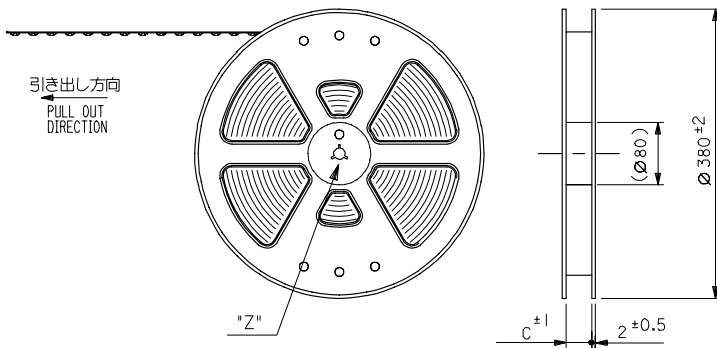
C

B

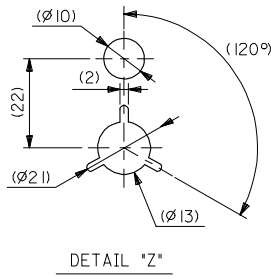
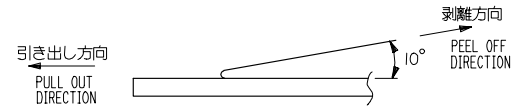
A

NOTES

- 製品詳細寸法については図面 SD-500797-005 を参照下さい。
RE DETAILED DIMENSION, SEE SD-500797-005
- 梱包数量：3000個/リール
NUMBER OF CONNECTORS : 3000PCS/REEL
- リードテープ長さ LEAD TAPE LENGTH



- トップテープの剥離強度：0.1N ~ 1.3N(10.2gf ~ 132.6gf)
(剥離方向は下図参照)
尚、本規格値は出荷時に適用。(但し、輸送時に剥離が発生しないこと。)
PEELING OFF FORCE OF TOP TAPE : 0.1N ~ 0.7N(10.2gf ~ 71.4gf)
(PEELING DIRECTION AS SHOWN IN FOLLOWING FIG.)
THIS REQUIREMENT SHOULD BE APPLIED AT SHIPMENT.
PEEL OFF SHOULD NOT BE ALLOWED , DURING TRANSPORTATION.



- 材料 (MATERIAL)
キャリアテープ (CARRIER TAPE) : ポリプロピレン (POLYPROPYLENE)
トップテープ (TOP TAPE) : PET , PE , PEF
リール (REEL) : ポリスチレン (PS) <リサイクル材含む>
POLYSTYREN (PS) <RECYCLE MATERIAL CONTAINED>
- C寸法は SHEET 2 ~ 4 を参照下さい。
SEE SHEET 2 ~ 4 (DIMENSION C).
- 欠品無きこと。
THERE SHALL BE NO MISSING PRODUCTS.

| | | | | | | | |
|--|---------------------------------------|--|----------------------------|---------------------------|-------------------------------|---|---------------------------|
| REVISED EC NO: J2008-003 DRAWN: HAYASHI 2007/07/02 CHKD: MORIKAWA 2007/07/02 APPR: MORIKAWA 2007/07/03 | GENERAL TOLERANCES (UNLESS SPECIFIED) | | DIMENSION STYLE MM ONLY | | SCALE --- | 500797-x*94 | MODEL NO. |
| | 10 UNDER | ±0.2 | DRAWN BY YMAEDA | DATE 2006/03/07 | TITLE | EMBSTP PKG FOR 0.3 FPC CONN (HGT=1.05MM) GOLD PLATING -LEAD FREE- | THIRD ANGLE PROJECTION |
| | 10 OVER 30 UNDER | ±0.25 | CHECKED BY MTANAKA | DATE 2006/03/07 | | | |
| | 30 OVER | ±0.3 | APPROVED BY NUKITA | DATE 2006/03/07 | | | |
| | ANGULAR ±3 ° | DRAFT WHERE APPLICABLE MUST REMAIN WITHIN DIMENSIONS | | MATERIAL NO. SEE CHART | DOCUMENT NO. SD-500797-006 | | SHEET NO. 1 OF 4 |

10 9 8 7 6 5 4 3 2 1

F

E

D

C

B

A

F

E

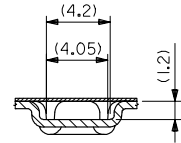
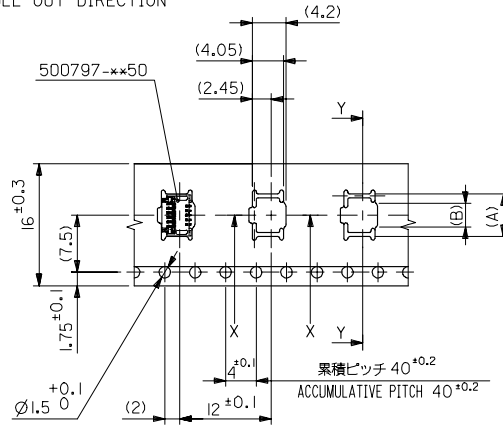
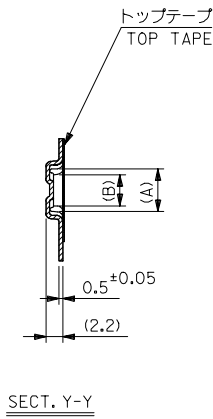
D

C

B

A

引き出し方向
PULL OUT DIRECTION



SECT. X-X

16mm幅キャリアテープ
16mm WIDTH CARRIER TAPE

| | | | | | |
|--------------------------------|------|-----|-----|----------------------|-----------|
| 16 | 17.5 | 4.6 | 6.8 | 500797-1594 | 15 |
| | | 3.4 | 5.6 | 500797-1194 | 11 |
| キャリアテープ幅 CARRIER TAPE WIDTH | C | (B) | (A) | 製品番号 MATERIAL No. | 種数 Ck± |
| | | | | 500797-xx94 | MODEL No. |

| | | | | | | | |
|---|--|--------------|----------------------------|--------------------|--|------------------------|---------------------------|
| REVISED EC NO. J2008-003 DRAWN: HAYASHI 2007/07/02 CHKD: MORIKAWA 2007/07/02 APP: MORIKAWA 2007/07/03 | GENERAL TOLERANCES (UNLESS SPECIFIED) | | DIMENSION STYLE MM ONLY | | SCALE --- | DESIGN UNITS METRIC | THIRD ANGLE PROJECTION |
| | 10 UNDER | ± 0.2 | DRAWN BY YMAEDA | DATE 2006/03/07 | TITLE EMBSTP PKG FOR 0.3 FPC CONN (HGT=1.05MM) GOLD PLATING -LEAD FREE- MOLEX MOLEX INCORPORATED | | |
| | 10 OVER 30 UNDER | ± 0.25 | CHECKED BY MTANAKA | DATE 2006/03/07 | | | |
| | 30 OVER | ± 0.3 | APPROVED BY NUKITA | DATE 2006/03/07 | | | |
| ANGULAR | ± 3 ° | MATERIAL NO. | DOCUMENT NO. | | | | |
| DRAFT WHERE APPLICABLE MUST REMAIN WITHIN DIMENSIONS | | SIZE A3 | SEE CHART | | SD-500797-006 | SHEET NO. 2 OF 4 | |

9

8

7

6

5

4

3

2

10 9 8 7 6 5 4 3 2 1

F F

E E

D D

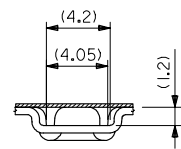
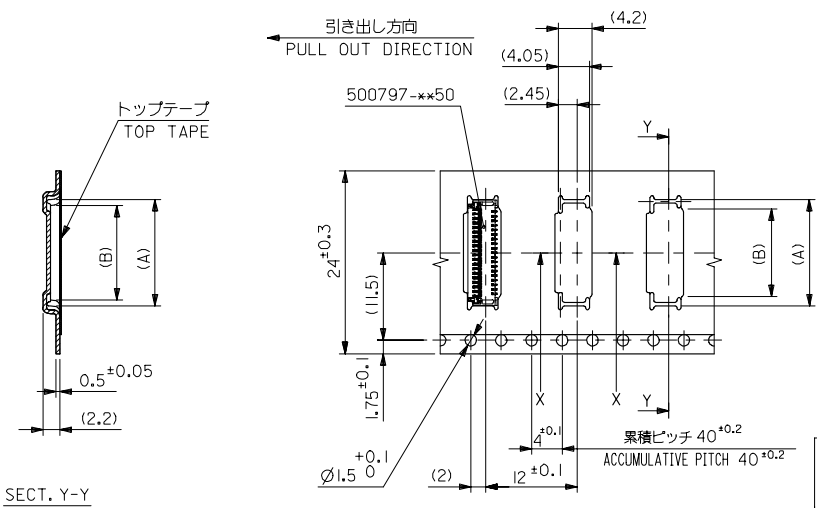
C C

B B

A A

9 8 7 6 5 4 3 2 1

EN-02JA(021)



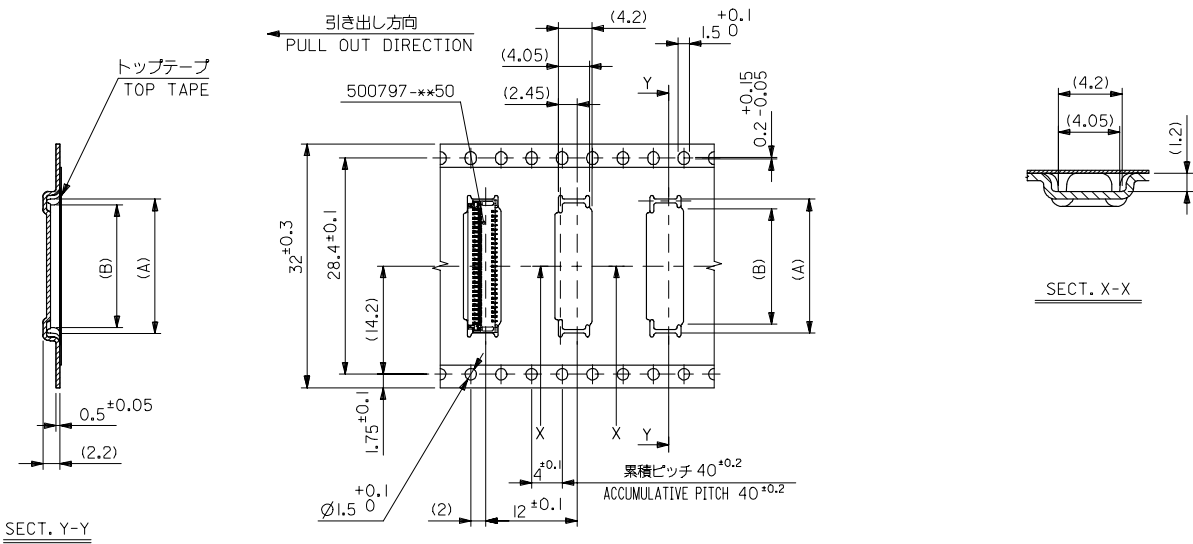
SECT. X-X

SECT. Y-Y

24mm幅キャリアテープ
24mm WIDTH CARRIER TAPE

| | | | | | |
|--------------------------------|------|-------------|------|-------------|-----------------------|
| 24 | 25.5 | 12.4 | 14.6 | 500797-4194 | 41 |
| | | 11.8 | 14.0 | 500797-3994 | 39 |
| | | 10.6 | 12.8 | 500797-3594 | 35 |
| | | 10.0 | 12.2 | 500797-3394 | 33 |
| | | 9.4 | 11.6 | 500797-3194 | 31 |
| | | 8.2 | 10.4 | 500797-2794 | 27 |
| | | 7.6 | 9.8 | 500797-2594 | 25 |
| | | 7.0 | 9.2 | 500797-2394 | 23 |
| 5.2 | 7.4 | 500797-1794 | 17 | | |
| キャリアテープ幅 CARRIER TAPE WIDTH | | C | (B) | (A) | 製品番号 MATERIAL No. |
| | | | | | 極数 Ck† |
| | | | | | 500797-xx94 MODEL No. |

| | | | | | | | |
|---|---------------------------------------|------------|----------------------------|--|--|------------------------|---------------------------|
| REVISED EC NO: J2008-003 DRW: HAYASHI CHK: K. MORIKAWA APPR: MORIKAWA 2007/07/02 2007/07/02 2007/07/03 | GENERAL TOLERANCES (UNLESS SPECIFIED) | | DIMENSION STYLE MM ONLY | | SCALE --- | DESIGN UNITS METRIC | THIRD ANGLE PROJECTION |
| | 10 UNDER | ±0.2 | DRAWN BY YMAEDA | DATE 2006/03/07 | TITLE EMBSTP PKG FOR 0.3 FPC CONN (HGT=1.05MM) GOLD PLATING -LEAD FREE- MOLEX MOLEX INCORPORATED | | |
| | 10 OVER 30 UNDER | ±0.25 | CHECKED BY MTANAKA | DATE 2006/03/07 | | | |
| | 30 OVER | ±0.3 | APPROVED BY NUKITA | DATE 2006/03/07 | | | |
| | ANGULAR | ±3 ° | MATERIAL NO. SEE CHART | | DOCUMENT NO. SD-500797-006 | SHEET NO. 3 OF 4 | |
| DRAFT WHERE APPLICABLE MUST REMAIN WITHIN DIMENSIONS | | SIZE A3 | | THIS DRAWING CONTAINS INFORMATION THAT IS PROPRIETARY TO MOLEX INCORPORATED AND SHOULD NOT BE USED WITHOUT WRITTEN PERMISSION | | | |



32mm幅キャリアテープ
32mm WIDTH CARRIER TAPE

| | | | | | |
|--------------------------------|------|------|------|----------------------|-----------|
| 32 | 33.5 | 15.4 | 17.6 | 500797-5194 | 51 |
| キャリアテープ幅 CARRIER TAPE WIDTH | C | (B) | (A) | 製品番号 MATERIAL No. | 種数 Ck± |
| | | | | 500797-**-94 | MODEL No. |

| | | | | | | | |
|--|---------------------------------------|-------|----------------------------|--------------------|--|------------------------|---------------------------|
| REVISED EC NO. J2008-003 DRW: HAYASHI 2007/07/02 CHK: K. MORIKAWA 2007/07/02 APPR: MORIKAWA 2007/07/03 | GENERAL TOLERANCES (UNLESS SPECIFIED) | | DIMENSION STYLE MM ONLY | | SCALE --- | DESIGN UNITS METRIC | THIRD ANGLE PROJECTION |
| | 10 UNDER | ±0.2 | DRAWN BY YMAEDA | DATE 2006/03/07 | TITLE EMBSTP PKG FOR 0.3 FPC CONN (HGT=1.05MM) GOLD PLATING -LEAD FREE- MOLEX INCORPORATED | | |
| | 10 OVER 30 UNDER | ±0.25 | CHECKED BY MTANAKA | DATE 2006/03/07 | | | |
| | 30 OVER | ±0.3 | APPROVED BY NUKITA | DATE 2006/03/07 | | | |
| | ANGULAR | ±3 ° | MATERIAL NO. SEE CHART | | DOCUMENT NO. SD-500797-006 | SHEET NO. 4 OF 4 | |
| DRAFT WHERE APPLICABLE MUST REMAIN WITHIN DIMENSIONS | | | SIZE A3 | | THIS DRAWING CONTAINS INFORMATION THAT IS PROPRIETARY TO MOLEX INCORPORATED AND SHOULD NOT BE USED WITHOUT WRITTEN PERMISSION | | |