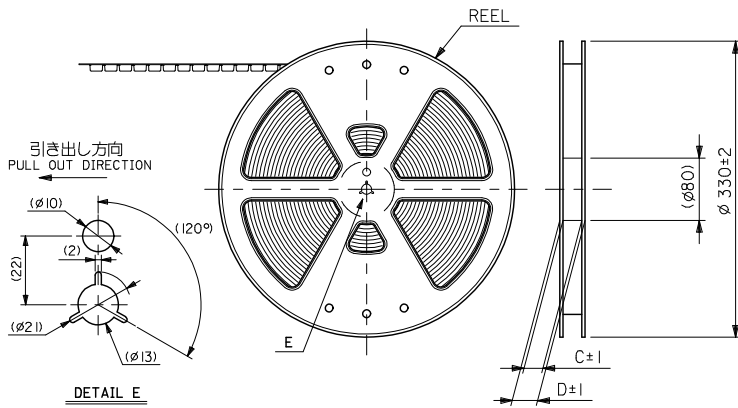
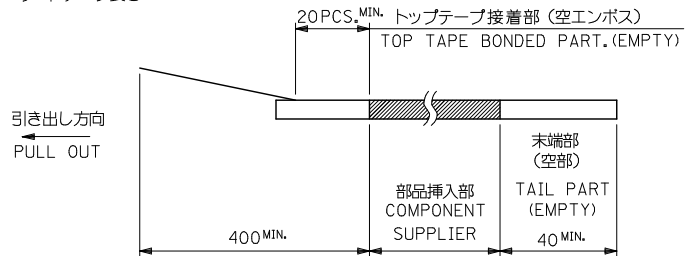


10 9 8 7 6 5 4 3 2 1



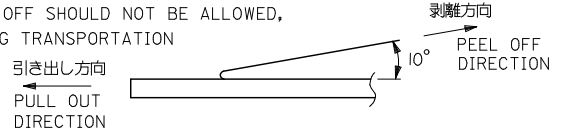
注記 NOTES

- 製品番号 52559-**-19 の梱包状態はアクチュエータがロックした状態とする。
 詳細寸法については図面 SD-52559-027 を参照下さい。
 IN THE PACKAGE,ACTUATOR OF PART NO.52559-**-19 SHOULD BE LOCKED RE DETAILED DIMENSIONS,SEE SD-52559-027
- 梱包数量：1000個/リール
 NUMBER OF CONNECTORS:1000PCS/REEL
- リードテープ長さ LEAD TAPE LENGTH



- トップテープの剥離強度：(剥離方向は下図参照)
 0.1~1.3N {10gf~130gf} 尚、本規格値は、出荷時に適用。
 (但し、輸送時に剥離が発生しない事。)

PEELING OFF FORCE OF TOP TAPE
 0.1~1.3N{10gf~130gf}PEELING DIRECTION AS SHOWN IN FOLLOWING FIG.)
 THIS REQUIREMENT SHOULD BE APPLIED AT SHIPMENT
 PEEL OFF SHOULD NOT BE ALLOWED,
 DURING TRANSPORTATION



- 材料 キャリアテープ：ポリプロピレン (PP)
 トップテープ：PET, PE, PEF
 リール：ポリスチレン (PS) <リサイクル材を含む>

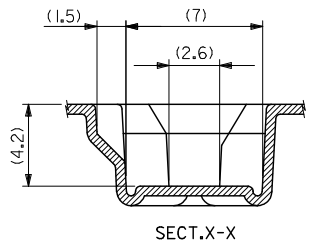
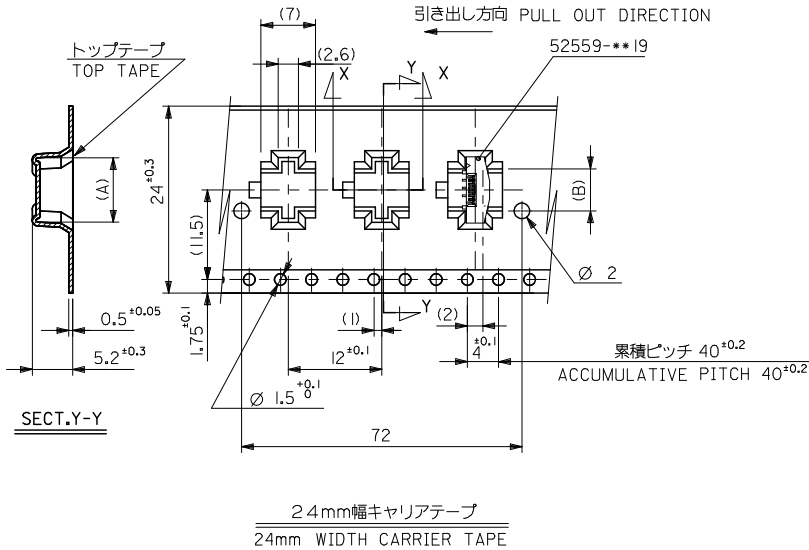
MATERIAL CARRIER TAPE:POLYPROPYLENE
 TOP TAPE:PET,PE,PEF
 REEL:POLYSTYRENE(PS)
 <RECYCLE MATERIAL CONTAINED>

- 本製品は 52559-**-92の鉛フリー品である。
 THIS PRODUCT IS LEAD FREE OF 52559-**-92
- 本製品は乾燥剤入り、ハイバリア梱包仕様である。
 THIS PRODUCT IS HIGH BARRIER PACKAGE WITH DESICCANT.

52559-**-72
 MODEL NO.

REVISED EC NO: J2009-2061 DRAWN BY DRYUNIKON 2009/05/20 CHECKED BY CHYKHMATSUMOTO 2009/05/21 APPROVED BY APPRNKIKITA 2009/05/21	GENERAL TOLERANCES (UNLESS SPECIFIED)		DIMENSION STYLE MM ONLY		SCALE ---	DESIGN UNITS METRIC	THIRD ANGLE PROJECTION
	10 UNDER	±0.2	DRAWN BY H. SHIMABUKUR	DATE 2004/01/07	TITLE 0.5 FPC CONN ASSY ZIF SMT ST EMBSTP PKG -LEAD FREE-		
	10 OVER 30 UNDER	±0.25	CHECKED BY K. TOJO	DATE 2004/01/07	MOLEX INCORPORATED		
	30 OVER	±0.3	APPROVED BY M. SASAO	DATE 2004/01/07	MATERIAL NO. SEE SHEET 2-4	DOCUMENT NO. SD-52559-028	SHEET NO. 1 OF 4
	ANGULAR ±3°	DRAFT WHERE APPLICABLE MUST REMAIN WITHIN DIMENSIONS		THIS DRAWING CONTAINS INFORMATION THAT IS PROPRIETARY TO MOLEX INCORPORATED AND SHOULD NOT BE USED WITHOUT WRITTEN PERMISSION			

10 9 8 7 6 5 4 3 2 1



24mm幅キャリアテープ
24mm WIDTH CARRIER TAPE

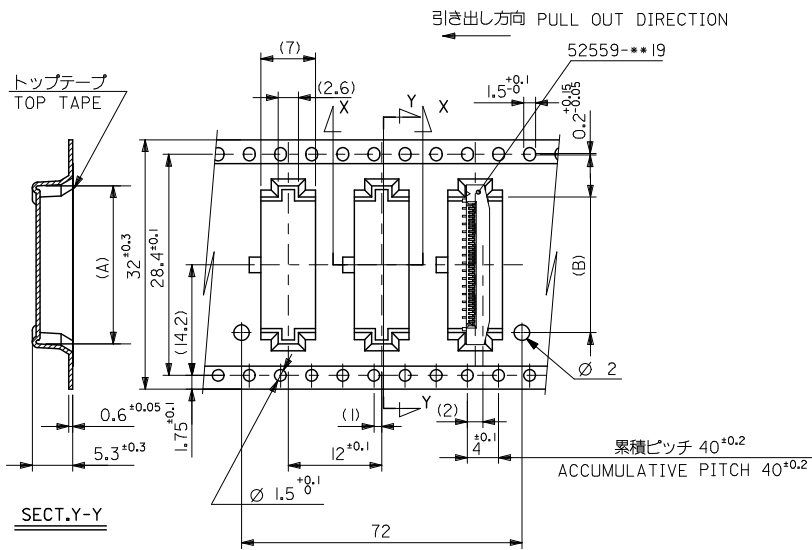
REVISED JEC NO: J2009-2061 DRAWN BY DRYUNTKON 2009/05/20 CHKD/HMATSUMOTO 2009/05/21 APPR/NIKITA 2009/05/21	GENERAL TOLERANCES (UNLESS SPECIFIED)	
	10 UNDER	±0.2
	10 OVER 30 UNDER	±0.25
	30 OVER	±0.3
DESCRIPTION	ANGULAR ±3 °	
REV	DRAFT WHERE APPLICABLE MUST REMAIN WITHIN DIMENSIONS	

52559-**72
MODEL NO.

24	29.4	25.4	14.4	17.3	52559-2472	24
			13.9	16.8	52559-2372	23
			12.9	15.8	52559-2172	21
			12.4	15.3	52559-2072	20
			10.9	13.8	52559-1772	17
			10.4	13.3	52559-1672	16
			9.9	12.8	52559-1572	15
			9.4	12.3	52559-1472	14
			8.4	11.3	52559-1272	12
			7.4	10.3	52559-1072	10
			6.9	9.8	52559-0972	9
5.4	8.3	52559-0672	6			

キャリアテープ幅 CARRIER TAPE WIDTH	D	C	(B)	(A)	MATERIAL NO.	CIRCUIT NO.
DIMENSION STYLE MM ONLY		SCALE ---	DESIGN UNITS METRIC		THIRD ANGLE PROJECTION	
DRAWN BY H. SHIMABUKUR	DATE 2004/01/07	TITLE 0.5 FPC CONN ASSY ZIF SMT ST EMBSTP PKG -LEAD FREE-				
CHECKED BY K. TOJO	DATE 2004/01/07	MOLEX INCORPORATED				
APPROVED BY M. SASAO	DATE 2004/01/07	DOCUMENT NO. SD-52559-028				SHEET NO. 2 OF 4
MATERIAL NO.	SEE TABLE					SIZE A3
THIS DRAWING CONTAINS INFORMATION THAT IS PROPRIETARY TO MOLEX INCORPORATED AND SHOULD NOT BE USED WITHOUT WRITTEN PERMISSION						

10 9 8 7 6 5 4 3 2 1

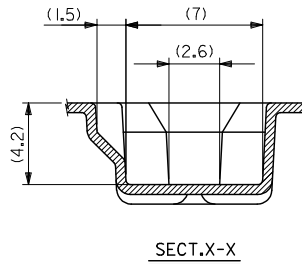
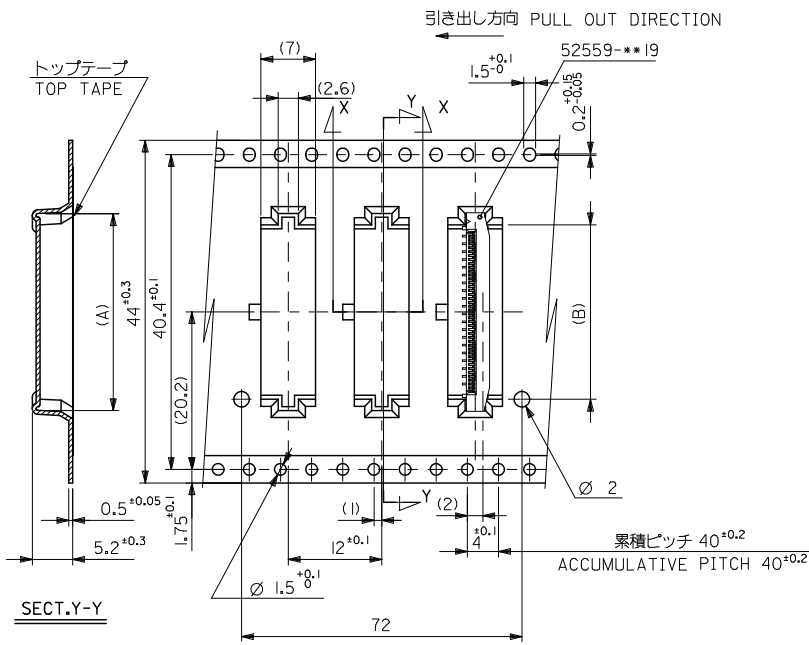


52559-**-72	キャリアテープ幅 CARRIER TAPE WIDTH	D	C	18.4	21.3	52559-3272	32		
				17.4	20.3	52559-3072	30		
				16.4	19.3	52559-2872	28		
				15.9	18.8	52559-2772	27		
				15.4	18.3	52559-2672	26		
MODEL NO.				(B)	(A)	MATERIAL NO.	CIRCUIT NO.		
GENERAL TOLERANCES (UNLESS SPECIFIED)		DIMENSION STYLE MM ONLY		SCALE ---		DESIGN UNITS METRIC		THIRD ANGLE PROJECTION	
10 UNDER	±0.2	DRAWN BY H. SHIMABUKUR		DATE 2004/01/07		TITLE 0.5 FPC CONN ASSY ZIF SMT ST EMBSTP PKG -LEAD FREE-			
10 OVER 30 UNDER	±0.25	CHECKED BY K. TOJO		DATE 2004/01/07					
30 OVER	±0.3	APPROVED BY M. SASAO		DATE 2004/01/07					
ANGULAR ±3 °		MATERIAL NO. SEE TABLE		DOCUMENT NO. SD-52559-028		MOLEX INCORPORATED			
DRAFT WHERE APPLICABLE MUST REMAIN WITHIN DIMENSIONS		SIZE A3		THIS DRAWING CONTAINS INFORMATION THAT IS PROPRIETARY TO MOLEX INCORPORATED AND SHOULD NOT BE USED WITHOUT WRITTEN PERMISSION				SHEET NO. 3 OF 4	

ib_frame_A3_J_ME_S
Rev. E 2006/04/15

EN-02JA(021)

10 9 8 7 6 5 4 3 2 1



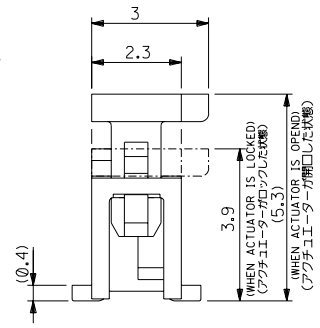
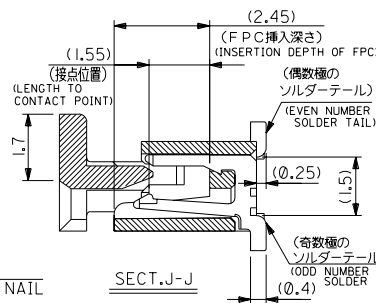
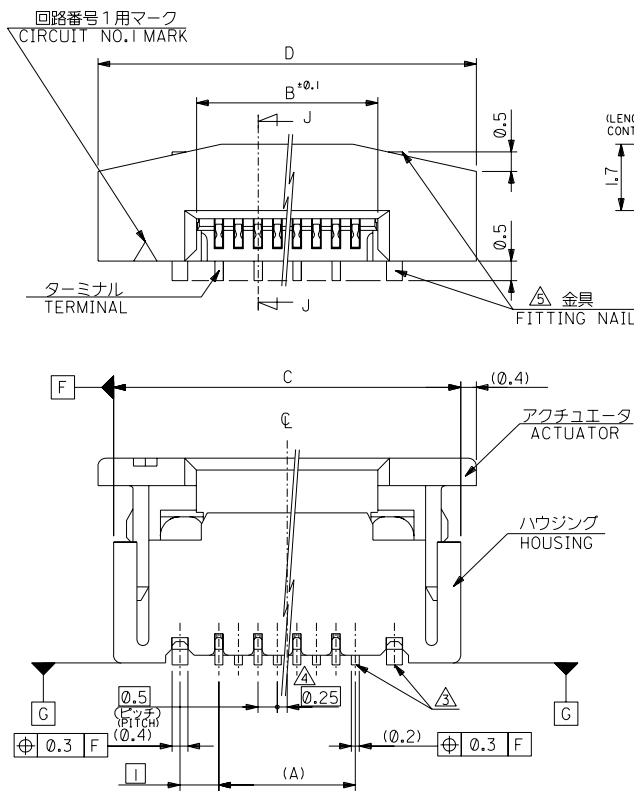
SECT.Y-Y

SECT.X-X

44mm幅キャリアテープ
44mm WIDTH CARRIER TAPE

REVISED EC NO: J2009-2061 DRAWN BY CHYKOHMATSUNO APPROVED BY APPUNIKITA	DESCRIPTION 2009/05/20 2009/05/21 2009/05/21	GENERAL TOLERANCES (UNLESS SPECIFIED)		DIMENSION STYLE MM ONLY		SCALE ---	DESIGN UNITS METRIC	THIRD ANGLE PROJECTION		
		10 UNDER	±0.2	DRAWN BY H. SHIMABUKUR		DATE 2004/01/07	TITLE 0.5 FPC CONN ASSY ZIF SMT ST EMBSTP PKG -LEAD FREE-			
		10 OVER 30 UNDER	±0.25	CHECKED BY K. TOJO		DATE 2004/01/07	APPROVED BY M. SASAO			
		30 OVER	±0.3	APPROVED BY M. SASAO		DATE 2004/01/07	MOLEX INCORPORATED		DOCUMENT NO. SD-52559-028	SHEET NO. 4 OF 4
ANGULAR ±3 °		DRAFT WHERE APPLICABLE MUST REMAIN WITHIN DIMENSIONS		MATERIAL NO. SEE TABLE		THIS DRAWING CONTAINS INFORMATION THAT IS PROPRIETARY TO MOLEX INCORPORATED AND SHOULD NOT BE USED WITHOUT WRITTEN PERMISSION				

DWG. NO. SD-52559-045



注記 NOTES

- I. 使用材料: MATERIAL
- ハウジング HOUSING : 46NYLON UL94V-0
 - アクチュエータ ACTUATOR : PPS UL94V-0
 - ターミナル TERMINAL : リン青銅 (t=0.2) PHOS-BRO
 - 金具 FITTING NAIL : 銅ビスマスマック 1.0マイクromメートル以上 TIN-BISMUTH 1.0 MICROMETER MINIMUM
 - ニッケル下地 1.0マイクromメートル以上 NICKEL(UNDER PLATING) 1.0 MICROMETER MINIMUM
 - リン青銅 (t=0.4) PHOS-BRO
 - 銅メッキ 1.0マイクromメートル以上 TIN 1.0 MICROMETER MINIMUM
 - ニッケル下地 1.0マイクromメートル以上 NICKEL(UNDER PLATING) 1.0 MICROMETER MINIMUM
2. エンボステップ梱包時は、アクチュエータがロックした状態とする。
IN THE PACKAGE, ACTUATOR OF PART NO.52559-***9 SHOULD BE LOCKED.
- △ソルダータール半田付け面のズレ量、及び金具半田付け面のズレ量は、基準面 [G] に対し上方向 0.05 MAX.、下方向 0.15 MAX.とする。
MISALIGNMENT OF SOLDER TAILS AND FITTING NAILS FROM [G] UPPER DIRECTION: 0.05 MAX. . LOWER DIRECTION: 0.15 MAX.
- △偶数種に適用。
APPLY FOR EVEN CIRCUIT.
- △パタンはくくり止め用金具。
FITTING NAIL FOR PREVENTION OF PEELING OF P.C.B. PATTERN.
- △RO. 3は、FPCの導体部にかからないこと。
RO.3 MUST NOT BE OVERLAPPED TO PATTERN OF FPC.
7. 本製品は 52559-***17 の鉛フリー品である。
THIS PRODUCT IS LEAD FREE OF 52559-***17

DO NOT SCALE DRAWING		REVISED		RELEASED		MATERIAL		GENERAL TOLERANCES:		SCALE		DESIGN UNITS		DIMENSIONS:		SHT		REV	
E81NO. J2004-3551		E83NO. J2004-1818		E82NO. J2004-1818		材料		UNLESS SPECIFIED)		—		mm		mm		CAD ONLY		CAD ONLY	
DRWN: H. KAWABATA		DRWN: H. SHIMABUKURO		DRWN: H. SHIMABUKURO		注記参照		(10 UNDER 未満)		DRAWN BY & DATE		H. SHIMABUKURO '04/01/07		0.5		0.5		0.5	
CHK: K. TOJO		CHK: K. TOJO		CHK: K. TOJO		SEE NOTES		(10 OVER 30 UNDER 未満)		CHECKED BY & DATE		K. TOJO '04/01/07		INCH		INCH		INCH	
APPR: H. Sasaki		APPR: H. Sasaki		APPR: H. Sasaki		FINISH		(30 OVER 以上)		APPROVED BY & DATE		H. Sasaki '04/01/07		mm ONLY		mm ONLY		mm ONLY	
A		0		0		仕上げ		ANGLE 角度		CAD FILENAME		SD-52559-045.S01		MOLEX INCORPORATED		MOLEX INCORPORATED		MOLEX INCORPORATED	
8		7		6		WIRE RANGE		ANGLE 角度		MATERIAL NO.		SEE CHART		MATERIAL NO.		SD-52559-045		SD-52559-045	
8		7		6		適用電線範囲		ANGLE 角度		DRAWING NO.		SD-52559-045		DRAWING NO.		SD-52559-045		SD-52559-045	
8		7		6		INS. RANGE		ANGLE 角度		SHEET NO.		1 OF 2		SHEET NO.		1 OF 2		1 OF 2	
8		7		6		被覆外径		ANGLE 角度		SIZE		B		SIZE		B		B	
8		7		6		REV		ANGLE 角度		EN-02J(097) MXJ-54				EN-02J(097) MXJ-54					

DWG. NO. SD-52559-045

F

D

V

C

B

DO NOT SCALE DRAWING

8 7 6 5 4 3 2 1

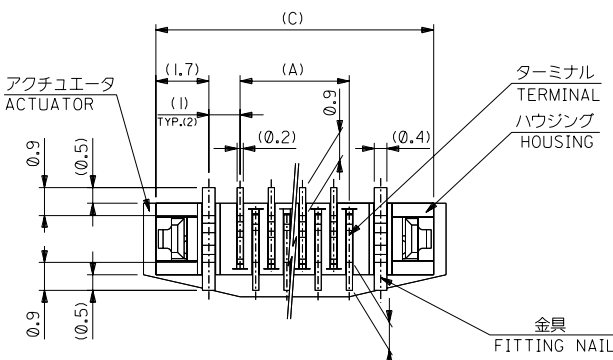
F

E

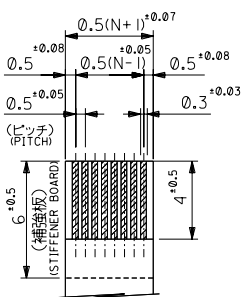
D

C

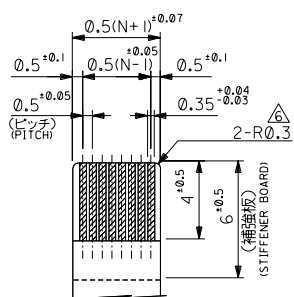
B



下面図
BOTTOM VIEW



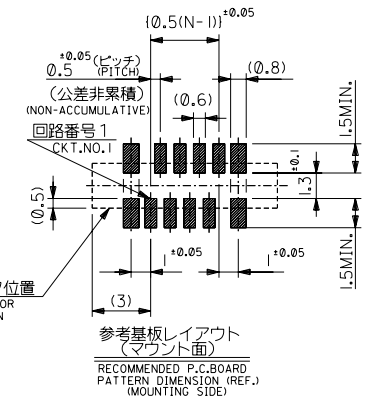
適合 FPC 推奨寸法
APPLICABLE FPC
RECOMMENDED DIMENSION.
(仕上がり厚さ: 0.3^{+0.05})
(THICKNESS: 0.3^{+0.05})



適合 FPC 推奨寸法
APPLICABLE FPC
RECOMMENDED DIMENSION.
(仕上がり厚さ: 0.3^{+0.05})
(THICKNESS: 0.3^{+0.05})

FPCについて:
打抜き方向は導体側から補強板側を推奨致します。
補強フィルム材質はポリイミドを推奨致します。
接着剤は熱硬化接着剤を推奨致します。

ABOUT FPC:
RECOMMENDED PUNCHER DIRECTION: FROM CONDUCTOR SIDE TO STIFFENER BOARD SIDE.
RECOMMENDED MATERIAL:
STIFFENER FILM: POLYIMIDE
BONDING AGENT: THERMOSETTING BONDING AGENT



25.7	24.9	20.65	19.5	52559-40	19	40
23.7	22.9	18.65	17.5		-36	36
22.2	21.4	17.15	16.0		-33	33
21.7	20.9	16.65	15.5		-32	32
21.2	20.4	16.15	15.0		-31	31
20.7	19.9	15.65	14.5		-30	30
20.2	19.4	15.15	14.0		-29	29
19.7	18.9	14.65	13.5		-28	28
19.2	18.4	14.15	13.0		-27	27
18.7	17.9	13.65	12.5		-26	26
18.2	17.4	13.15	12.0		-25	25
17.7	16.9	12.65	11.5		-24	24
17.2	16.4	12.15	11.0		-23	23
16.7	15.9	11.65	10.5		-22	22
16.2	15.4	11.15	10.0		-21	21
15.7	14.9	10.65	9.5		-20	20
15.2	14.4	10.15	9.0		-19	19
14.7	13.9	9.65	8.5		-18	18
14.2	13.4	9.15	8.0		-17	17
13.7	12.9	8.65	7.5		-16	16
13.2	12.4	8.15	7.0		-15	15
12.7	11.9	7.65	6.5		-14	14
12.2	11.4	7.15	6.0		-13	13
11.7	10.9	6.65	5.5		-12	12
11.2	10.4	6.15	5.0		-11	11
10.7	9.9	5.65	4.5		-10	10
10.2	9.4	5.15	4.0		-09	9
9.7	8.9	4.65	3.5		-08	8
8.7	7.9	3.65	2.5	52559-06	19	6
D	C	B	(A)	MATERIAL NO.	種数	CTY

REV. NO.	REVISED	GENERAL TOLERANCES: UNLESS SPECIFIED	SCALE	DESIGN UNITS	MODEL NO.	52559-0019	DIMENSIONS:	SHT	REV
DRWING: CHIKI	DRWING: H. SHIMABUKURO	FINISH 仕上げ	10 UNDER 未満	mm	PROJ	0	mm	2	2
APPR: H. SALAB	CHK: K. TOJO	WIRE RANGE 適用電線範囲	10 OVER 以上	INCH	ANGLE	0	INCH	2	2
REV. NO.	RELEASED	INS. RANGE 被覆外径	30 UNDER 未満	mm	PROJECTION	0	mm	2	2
DRWING: CHIKI	DRWING: H. SHIMABUKURO	REV	30 OVER 以上	INCH	PROJ ONLY	0	mm	2	2
APPR: H. SALAB	CHK: K. TOJO	DESCRIPTION	ANGLE 角度	mm	INCH ONLY	0	mm	2	2
REV. NO.	REVISED	MATERIAL 材料	SEE NOTES	mm	INCH	0	mm	2	2
DRWING: CHIKI	DRWING: H. SHIMABUKURO	FINISH 仕上げ	SEE NOTES	mm	INCH	0	mm	2	2
APPR: H. SALAB	CHK: K. TOJO	WIRE RANGE 適用電線範囲	SEE NOTES	mm	INCH	0	mm	2	2
REV. NO.	RELEASED	INS. RANGE 被覆外径	SEE NOTES	mm	INCH	0	mm	2	2
DRWING: CHIKI	DRWING: H. SHIMABUKURO	REV	SEE NOTES	mm	INCH	0	mm	2	2
APPR: H. SALAB	CHK: K. TOJO	DESCRIPTION	SEE NOTES	mm	INCH	0	mm	2	2

TITLE: 0.5 FPC Conn. Assy ZIF. -LEAD FREE-

MOLEX INCORPORATED

CAD FILENAME: SD-52559-045.S02
MATERIAL NO.: SEE CHART
DRAWING NO.: SD-52559-045

SHEET NO. 2 OF 2
SIZE B

EN-02J(097) MXJ-54