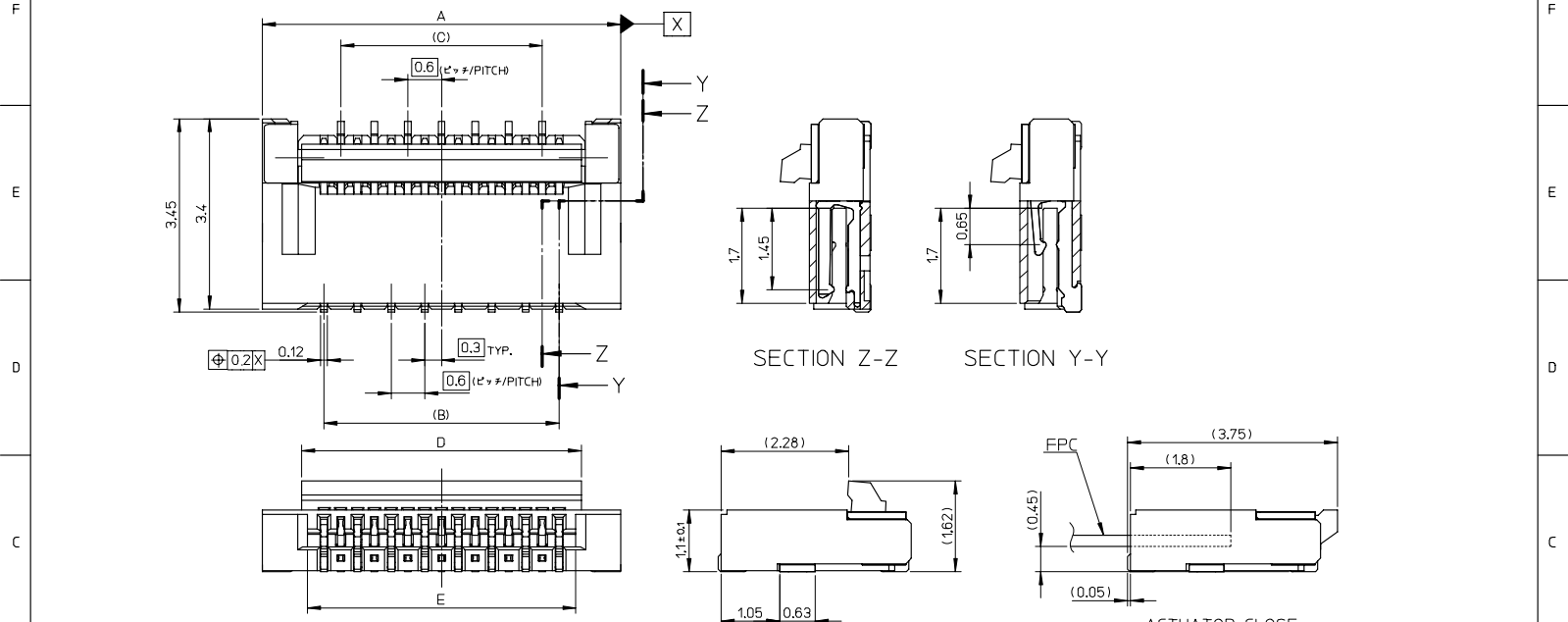


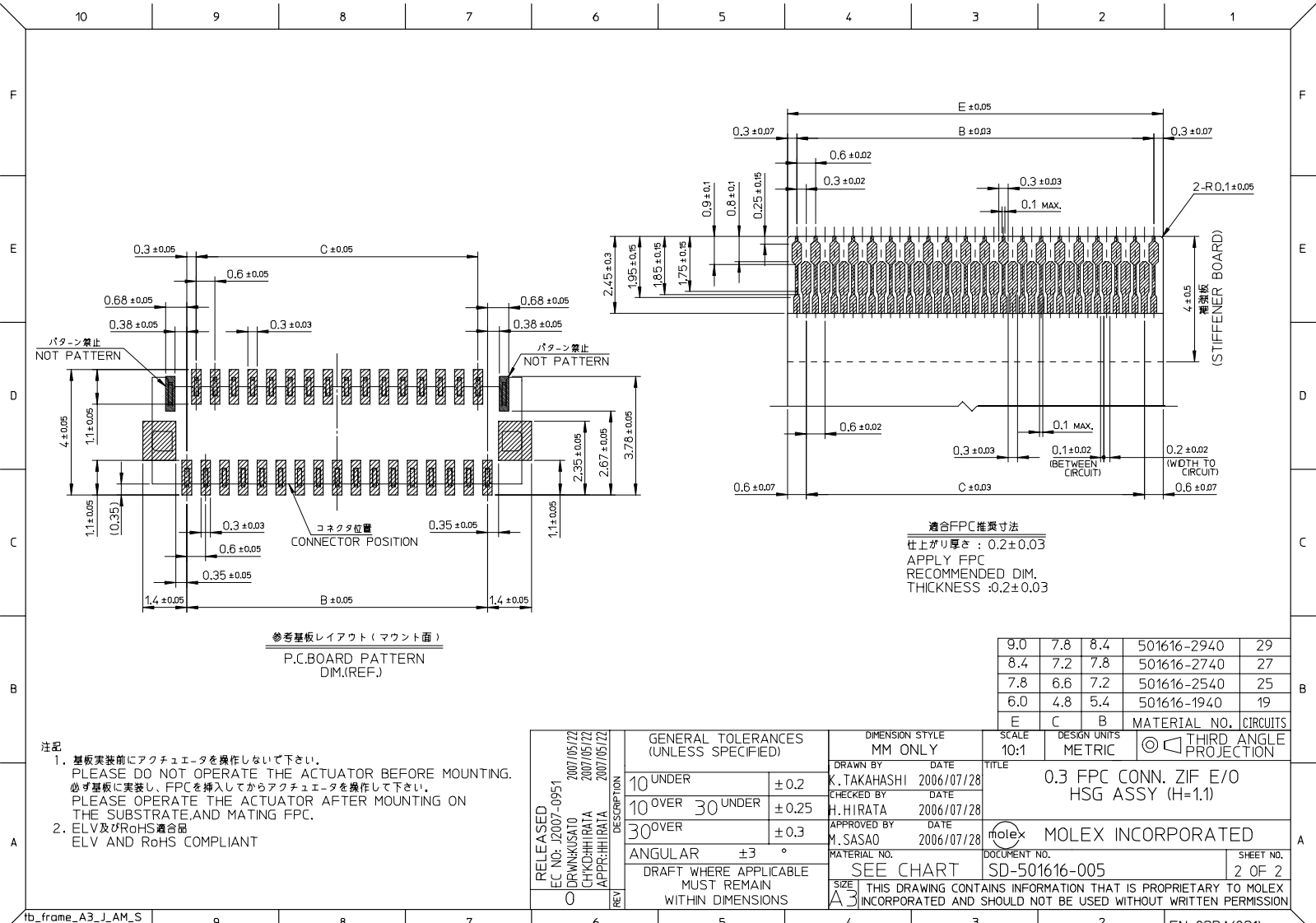
10 9 8 7 6 5 4 3 2 1



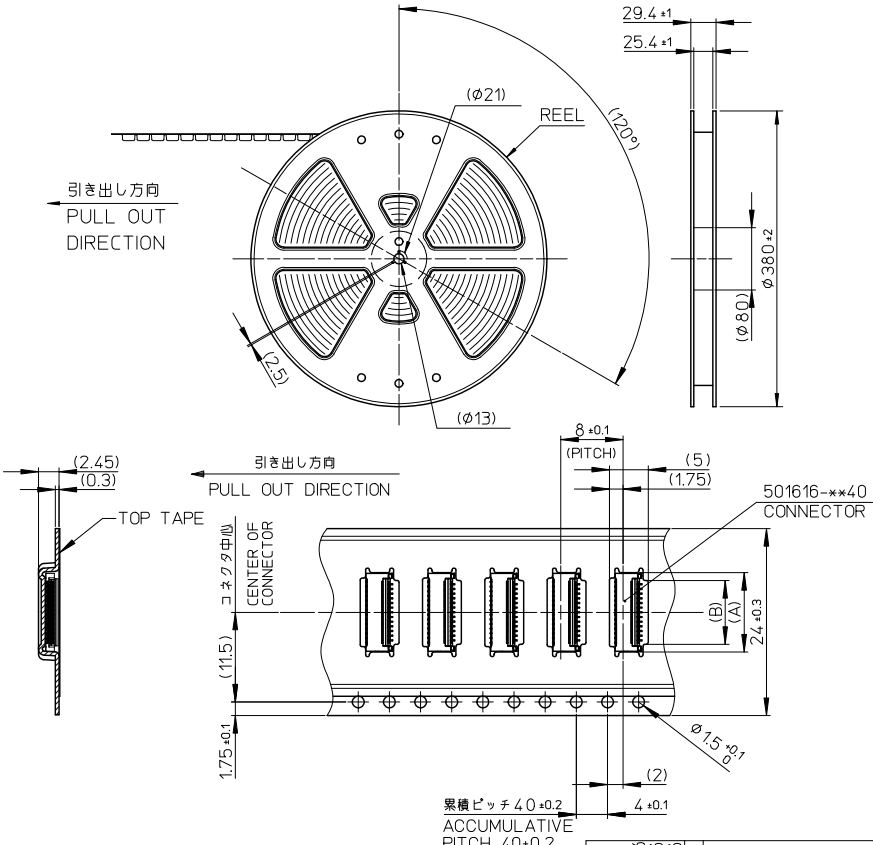
- 部品構成
- ハウジング・・・材質：耐熱性樹脂 黒色 UL94V-0
HOUSING MATERIAL :HEAT RESISTANT POLYMER BLACK UL94-V0
 - 奇数ターミナル・・・材質：銅合金
ODD TERMINAL MATERIAL :COPPER ALOY
処理：ニッケル下地部分金メッキ(接触部及びテール部)
FINISH :PARTLY GOLD(CONTACT, TAIL) OVER NICKEL PLATING
 - 偶数ターミナル・・・材質：銅合金
EVEN TERMINAL MATERIAL :COPPER ALOY
処理：ニッケル下地部分金メッキ(接触部及びテール部)
FINISH :PARTLY GOLD(CONTACT, TAIL) OVER NICKEL PLATING
 - アクチュエータ・・・材質：耐熱性樹脂 灰色 UL94V-0
ACTUATOR MATERIAL :HEAT RESISTANT POLYMER GRAY UL94-V0
 - ネイル・・・材質：銅合金
NAIL MATERIAL :COPPER ALOY
処理：ニッケル下地部分金メッキ
FINISH :TIN OVER NICKEL PLATING

| | | | | | | | |
|---|---------------------------------------|--|----------------------------|-------------------------------|--|------------------------|---------------------------|
| RELEASED EC NO: J2007-0951 DRW:KUSATO CHK:HIRATA APP:HIRATA 2007/05/22 2007/05/22 2007/05/22 | GENERAL TOLERANCES (UNLESS SPECIFIED) | | DIMENSION STYLE MM ONLY | | SCALE 15:1 | DESIGN UNITS METRIC | THIRD ANGLE PROJECTION |
| | 10 UNDER | ±0.2 | DRAWN BY K. TAKAHASHI | DATE 2006/07/28 | TITLE 0.3 FPC CONN. ZIF E/O HSG ASSY (H=1.1) | | |
| | 10 OVER 30 UNDER | ±0.25 | CHECKED BY H. HIRATA | DATE 2006/07/28 | | | |
| | 30 OVER | ±0.3 | APPROVED BY M. SASAO | DATE 2006/07/28 | | | |
| 0 | ANGULAR ±3 ° | DRAFT WHERE APPLICABLE MUST REMAIN WITHIN DIMENSIONS | SEE CHART | MATERIAL NO. SD-501616-005 | DOCUMENT NO. | SHEET NO. 1 OF 2 | |

| | | | | | | |
|-----|-----|-----|-----|------|----------------------|----|
| 9.0 | 9.2 | 7.8 | 8.4 | 10.6 | 501616-2940 | 29 |
| 8.4 | 8.6 | 7.2 | 7.8 | 10.0 | 501616-2740 | 27 |
| 7.8 | 8.0 | 6.6 | 7.2 | 9.4 | 501616-2540 | 25 |
| 6.0 | 6.2 | 4.8 | 5.4 | 7.6 | 501616-1940 | 19 |
| E | D | (C) | (B) | A | MATERIAL NO. CIRCUIT | |

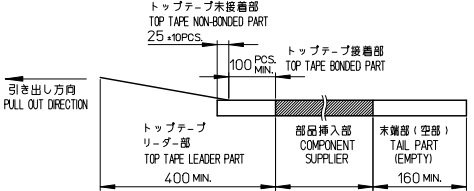


10 9 8 7 6 5 4 3 2 1



NOTES

- 製品 (501616-**40) の詳細寸法については、図面 SD-501616-005 をご参照下さい。
IN THE PACKAGE, PART NO. 501616-**40 DETAILED DIMENSIONS, REFER TO SALES DRAWING NO. SD-501616-005.
- 梱包数量 : 3000個/リール
NUMBER OF CONNECTORS : 3000 PCS/REEL
- リードテープ長さ
LEAD TAPE LENGTH



- 材料
キャリアテープ: ポリスチレン (PS)
トップテープ : PET, PE, PEF
リール : ポリスチレン (PS) <リサイクル材を含む>
MATERIAL
CARRIER TAPE : POLYSTYRENE (PS)
TOP TAPE : PET, PE, PEF
REEL : POLYSTYRENE (PS) <RECYCLE MATERIAL CONTAINED>
- ELV及RoHS適合品
ELV AND RoHS COMPLIANT

| | | | |
|-----|------|--------------------------------------|---------------|
| 8.8 | 10.8 | 501616-2975 | 29 |
| 8.2 | 10.2 | 501616-2775 | 27 |
| 7.6 | 9.6 | 501616-2575 | 25 |
| 5.8 | 7.8 | 501616-1975 | 19 |
| B | A | EMBOSSED PACKAGE オーダー番号 ORDER No. | 極数 CIRCUIT |

エンボステープ内の製品の向き
DIRECTION OF CONNECTOR IN
EMBOSS TAPE

| | | | | | | | |
|--|---------------------------------------|--|----------------------------|---|--|-------------------------------|---------------------------|
| REVISED EC NO: J2009-1784 DRW:HKAWABATA 2009/01/26 CHKD:SHINOYAMA 2009/01/26 APPR:SHINOYAMA 2009/01/26 REV: A | GENERAL TOLERANCES (UNLESS SPECIFIED) | | DIMENSION STYLE MM ONLY | | SCALE --- | DESIGN UNITS METRIC | THIRD ANGLE PROJECTION |
| | 10 UNDER | ±--- | DRAWN BY K. TAKAHASHI | DATE 2006/7/28 | TITLE 0.3 FPC CONN. B/F EMBSTP PKG H=1.1 | | |
| | 10 OVER 30 UNDER | ±--- | CHECKED BY H. HIRATA | DATE 2006/7/28 | MOLEX INCORPORATED | | |
| | 30 OVER | ±--- | APPROVED BY M. SASAO | DATE 2006/7/28 | MATERIAL NO. SEE CHART | DOCUMENT NO. SD-501616-006 | SHEET NO. 1 OF 1 |
| ANGULAR ±--- ° | | DRAFT WHERE APPLICABLE MUST REMAIN WITHIN DIMENSIONS | | SIZE A3 THIS DRAWING CONTAINS INFORMATION THAT IS PROPRIETARY TO MOLEX INCORPORATED AND SHOULD NOT BE USED WITHOUT WRITTEN PERMISSION | | | |