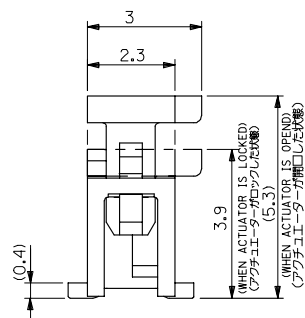
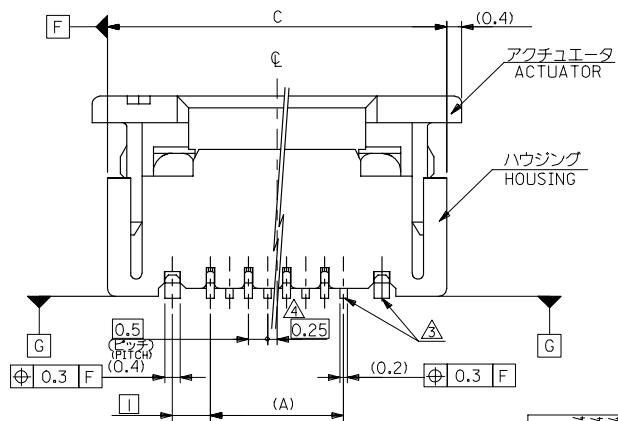
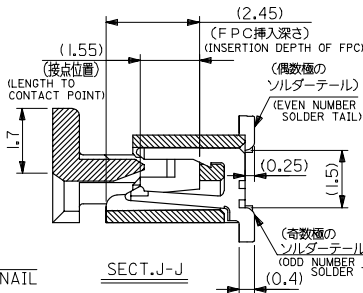
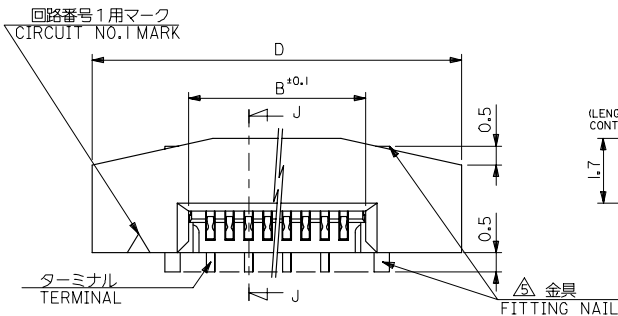


10 9 8 7 6 5 4 3 2 1



注記 NOTES

- I. 使用材料・MATERIAL
 - ハウジング HOUSING :46NYLON UL94V-0
 - アクチュエータ ACTUATOR :PPS UL94V-0
 - ターミナル TERMINAL :リン青銅 (t=0.2) PHOS-BRO
 - : 接点部 金メッキ 0.1マイクロメートル以上 CONTACT GOLD 0.1 MICROMETER MINIMUM
 - : 半田付け部 錫メッキ 1.0マイクロメートル以上 TAL TIN 1.0 MICROMETER MINIMUM
 - : ニッケル下地 1.0マイクロメートル以上 NICKEL(UNDER PLATING) 1.0 MICROMETER MINIMUM
 - 金具 FITTING NAIL :リン青銅 (t=0.4) PHOS-BRO
 - : 錫メッキ 1.0マイクロメートル以上 TIN 1.0 MICROMETER MINIMUM
 - : ニッケル下地 1.0マイクロメートル以上 NICKEL(UNDER PLATING) 1.0 MICROMETER MINIMUM
2. エンボステープ梱包時は、アクチュエータがロックした状態とする。
 IN THE PACKAGE,ACTUATOR OF PART NO.52559-**79 SHOULD BE LOCKED.
- △ソルダータール半田付け面のスレ量、及び金具半田付け面のスレ量は、基準面 G に対し上方向 0.05 MAX.、下方向 0.15 MAX.とする。
 MISALIGNMENT OF SOLDER TAILS AND FITTING NAILS FROM G UPPER DIRECTION: 0.05 MAX. , LOWER DIRECTION: 0.15 MAX.
- △偶数極に適用。
 APPLY FOR EVEN CIRCUIT.
- △パターンはくり止め用金具。
 FITTING NAIL FOR PREVENTION OF PEELING OF P.C.B. PATTERN.
- △R0.3は、FPCの導体部にかからないこと。
 R0.3 MUST NOT BE OVERLAPPED TO PATTERN OF FPC.

MODEL NO. 52559-**79

RELEASED IEC NO. J2005-0174 DRAWN: MABEI CHKD: KTOJO APPR: NUKITA	GENERAL TOLERANCES (UNLESS SPECIFIED)		DIMENSION STYLE MM ONLY		SCALE ---	DESIGN UNITS METRIC	THIRD ANGLE PROJECTION
	10 UNDER	±0.2	DRAWN BY MNABEI	DATE '04/07/13	TITLE 0.5 FPC CONN ASSY ZIF.		
	10 OVER 30 UNDER	±0.25	CHECKED BY KTOJO	DATE '04/07/13	-LEAD FREE-		
	30 OVER	±0.3	APPROVED BY NUKITA	DATE '04/07/13	MOLEX INCORPORATED		
	ANGULAR	±3 °	MATERIAL NO.	DOCUMENT NO.	SHEET NO.		
DRAFT WHERE APPLICABLE MUST REMAIN WITHIN DIMENSIONS		SEE CHART		SD-52559-048		1 OF 2	
THIS DRAWING CONTAINS INFORMATION THAT IS PROPRIETARY TO MOLEX INCORPORATED AND SHOULD NOT BE USED WITHOUT WRITTEN PERMISSION				EN-02JA(021)			

9

8

7

6

5

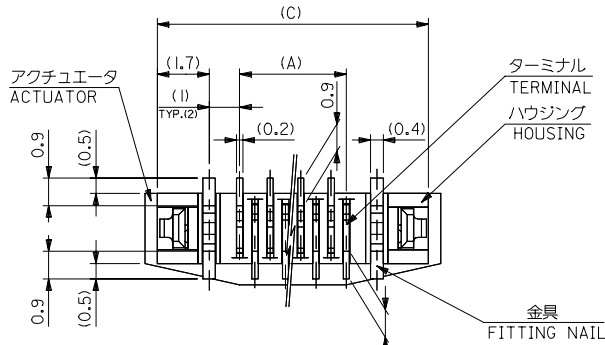
4

3

2

EN-02JA(021)

10 9 8 7 6 5 4 3 2 1

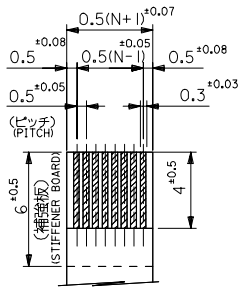


FPCについて：
 打抜き方向は導体側から補強板側を推奨致します。
 補強フィルム材質はポリイミドを推奨致します。
 接着剤は熱硬化接着剤を推奨致します。

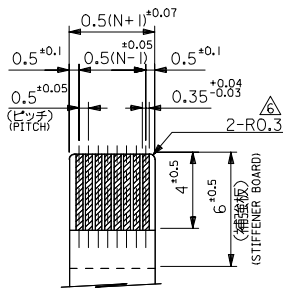
ABOUT FPC :
 RECOMMENDED PUNCHER DIRECTION : FROM CONDUCTOR SIDE TO STIFFENER BOARD SIDE.
 RECOMMENDED MATERIAL :
 STIFFENER FILM : POLYIMIDE
 BONDING AGENT : THERMOSETTING BONDING AGENT

25.7	24.9	20.65	19.5	52559-4079	40
23.7	22.9	18.65	17.5		-3679 36
22.2	21.4	17.15	16.0		-3379 33
21.7	20.9	16.65	15.5		-3279 32
21.2	20.4	16.15	15.0		-3179 31
20.7	19.9	15.65	14.5		-3079 30
20.2	19.4	15.15	14.0		-2979 29
19.7	18.9	14.65	13.5		-2879 28
19.2	18.4	14.15	13.0		-2779 27
18.7	17.9	13.65	12.5		-2679 26
18.2	17.4	13.15	12.0		-2579 25
17.7	16.9	12.65	11.5		-2479 24
17.2	16.4	12.15	11.0		-2379 23
16.7	15.9	11.65	10.5		-2279 22
16.2	15.4	11.15	10.0		-2179 21
15.7	14.9	10.65	9.5		-2079 20
15.2	14.4	10.15	9.0		-1979 19
14.7	13.9	9.65	8.5		-1879 18
14.2	13.4	9.15	8.0		-1779 17
13.7	12.9	8.65	7.5		-1679 16
13.2	12.4	8.15	7.0		-1579 15
12.7	11.9	7.65	6.5		-1479 14
12.2	11.4	7.15	6.0		-1379 13
11.7	10.9	6.65	5.5		-1279 12
11.2	10.4	6.15	5.0		-1179 11
10.7	9.9	5.65	4.5		-1079 10
10.2	9.4	5.15	4.0		-0979 9
9.7	8.9	4.65	3.5		-0879 8
8.7	7.9	3.65	2.5	52559-0679	6
D	C	B	(A)	MATERIAL NO.	極致

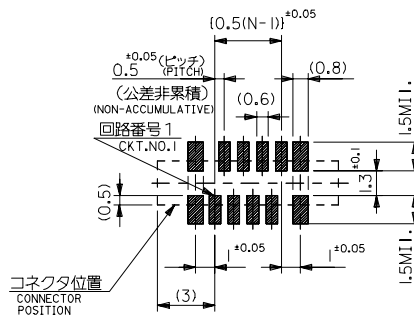
下面図
 BOTTOM VIEW



適合FPC推奨寸法
 APPLICABLE FPC
 RECOMMENDED DIMENSION.
 (仕上がり厚さ: 0.3^{+0.05})
 (THICKNESS: 0.3^{+0.05})

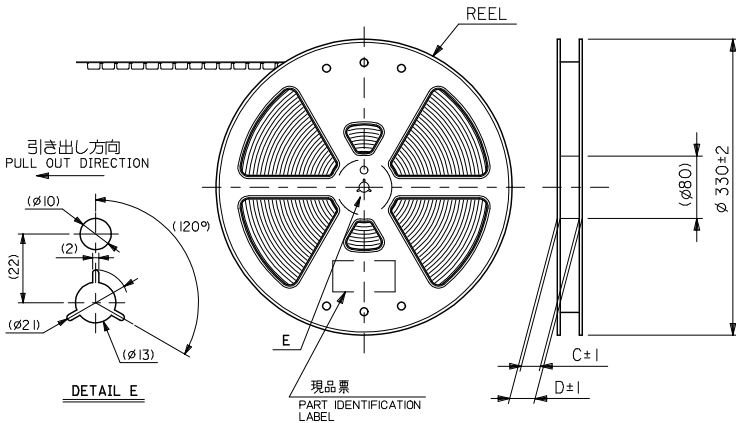


適合FPC推奨寸法
 APPLICABLE FPC
 RECOMMENDED DIMENSION.
 (仕上がり厚さ: 0.3^{+0.05})
 (THICKNESS: 0.3^{+0.05})



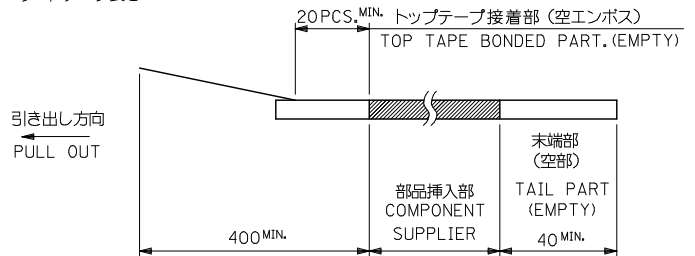
RELEASED	2004/07/14	GENERAL TOLERANCES (UNLESS SPECIFIED)	DIMENSION STYLE MM ONLY	SCALE ---	MODEL NO. 52559-xx79
EC NO. J2005-0174	2004/07/14	10 UNDER ±0.2	DRAWN BY MNABE I	DESIGN UNITS METRIC	THIRD ANGLE PROJECTION
DRW: MNABE I	2004/07/14	10 OVER 30 UNDER ±0.25	DATE '04/07/13	0.5 FPC CONN ASSY ZIF.	
CHKD: KTOJO	2004/07/14	30 OVER ±0.3	CHECKED BY KTOJO	-LEAD FREE-	
APPR: NUKITA	2004/07/14	ANGULAR ±3 °	DATE '04/07/13	MOLEX INCORPORATED	
REV 0	DESCRIPTION	DRAFT WHERE APPLICABLE MUST REMAIN WITHIN DIMENSIONS	APPROVED BY NUKITA	MATERIAL NO.	DOCUMENT NO. SD-52559-048
			DATE '04/07/13	SEE CHART	SHEET NO. 2 OF 2
				SIZE A3	THIS DRAWING CONTAINS INFORMATION THAT IS PROPRIETARY TO MOLEX INCORPORATED AND SHOULD NOT BE USED WITHOUT WRITTEN PERMISSION

10 9 8 7 6 5 4 3 2 1



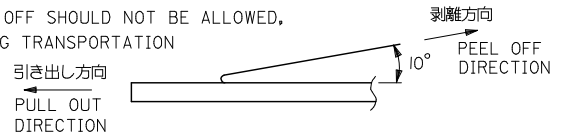
注記 NOTES

- 製品番号 52559-**79 の梱包状態はアクチュエータがロックした状態とする。
IN THE PACKAGE,ACTUATOR OF PART NO.52559-**79 SHOULD BE LOCKED
RE DETAILED DIMENSIONS,SEE ASSY DRAWING
- 梱包数量：1000個/リール
NUMBER OF CONNECTORS:1000PCS/REEL
- リードテープ長さ LEAD TAPE LENGTH



- トップテープの剥離強度：(剥離方向は下図参照)
0.1N~1.3N {10gf~130gf} 尚、本規格値は、出荷時に適用。
(但し、輸送時に剥離が発生しない事。)

PEELING OFF FORCE OF TOP TAPE
0.1N~1.3N{10gf~130gf}(PEELING DIRECTION AS SHOWN IN FOLLOWING FIG.)
THIS REQUIREMENT SHOULD BE APPLIED AT SHIPMENT
PEEL OFF SHOULD NOT BE ALLOWED,
DURING TRANSPORTATION



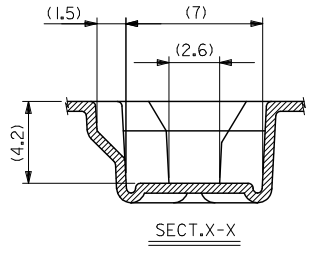
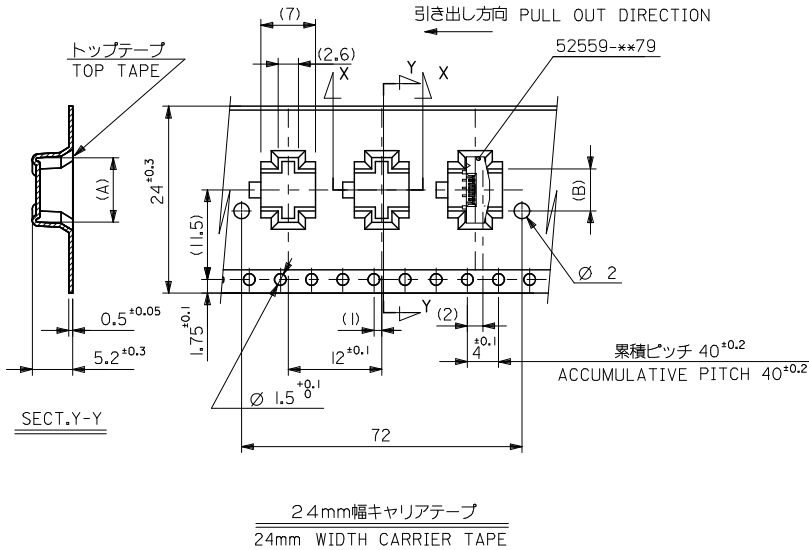
- 材料 キャリアテープ：ポリプロピレン (PP)
トップテープ：PET, PE, PEF
リール：ポリスチレン (PS) <リサイクル材を含む>

MATERIAL CARRIER TAPE:POLYPROPYLENE
TOP TAPE:PET,PE,PEF
REEL:POLYSTYRENE (PS)
<RECYCLE MATERIAL CONTAINED>

- 本製品は 52559-**53 のエンボステープ違い品である。
THIS PRODUCT IS EMBOSSED TAPE DIFFERENCE ARTICLE OF 52559-**53.
- 本製品は乾燥剤入り、ハイバリア梱包仕様である。
THIS PRODUCT IS HIGH BARRIER PACKAGE WITH DESICCANT.

REVISED EC NO: J2009-2061 DRAWN BY DRWNTKON 2009/05/20 CHECKED BY CHYKHMATSUMOTO 2009/05/21 APPROVED BY APPRNKIKITA 2009/05/21 REV: G	GENERAL TOLERANCES (UNLESS SPECIFIED)		DIMENSION STYLE MM ONLY		SCALE ---	52559-**52	MODEL NO.
	10 UNDER	±0.2	DRAWN BY MNABE I	DATE '04/07/13	TITLE	DESIGN UNITS METRIC	
	10 OVER 30 UNDER	±0.25	CHECKED BY KT0JO	DATE '04/07/13	0.5 FPC CONN ASSY ZIF FOR SMT EMBSTP PKG -LEAD FREE-		
	30 OVER	±0.3	APPROVED BY NUKITA	DATE '04/07/13	MOLEX INCORPORATED		
ANGULAR ±3°		DRAFT WHERE APPLICABLE MUST REMAIN WITHIN DIMENSIONS		MATERIAL NO. SEE SHEET 2-4	DOCUMENT NO. SD-52559-049	THIRD ANGLE PROJECTION SHEET NO. 1 OF 4	
SIZE A3 THIS DRAWING CONTAINS INFORMATION THAT IS PROPRIETARY TO MOLEX INCORPORATED AND SHOULD NOT BE USED WITHOUT WRITTEN PERMISSION							

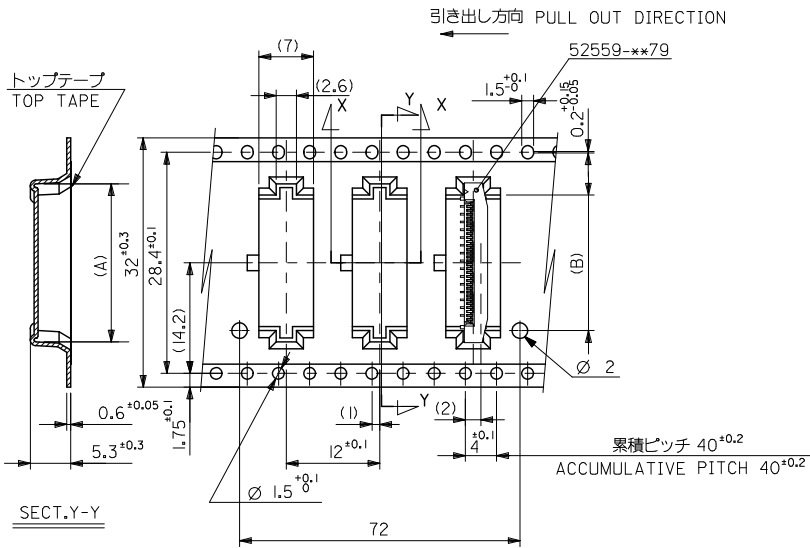
10 9 8 7 6 5 4 3 2 1



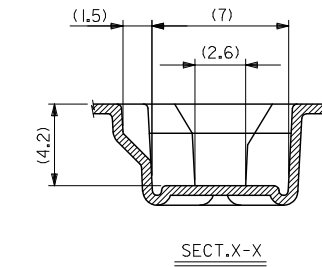
24	29.4	25.4	14.4	17.3	52559-2452	24
			13.9	16.8	52559-2352	23
			12.9	15.8	52559-2152	21
			12.4	15.3	52559-2052	20
			10.9	13.8	52559-1752	17
			10.4	13.3	52559-1652	16
			9.9	12.8	52559-1552	15
			9.4	12.3	52559-1452	14
			8.4	11.3	52559-1252	12
			7.4	10.3	52559-1052	10
6.9	9.8	52559-0952	9			
5.4	8.3	52559-0652	6			
キャリアテープ幅 CARRIER TAPE WIDTH			(B)	(A)	MATERIAL NO.	CIRCUIT NO.

REVISED EEC NO: J2009-2061 DRAWN BY: IWANAKON CHECKED BY: CHYKOHMATSUMOTO APPROVED BY: APPR:NIKITA G	DESCRIPTION	GENERAL TOLERANCES (UNLESS SPECIFIED)	DIMENSION STYLE	SCALE	DESIGN UNITS	THIRD ANGLE PROJECTION
	REV	10 UNDER	±0.2	MM ONLY	---	METRIC
		10 OVER 30 UNDER	±0.25	DRAWN BY: MNABEI	DATE: '04/07/13	TITLE: 0.5 FPC CONN ASSY ZIF FOR SMT EMBSTP PKG -LEAD FREE-
		30 OVER	±0.3	CHECKED BY: KTOJO	DATE: '04/07/13	APPROVED BY: NUKITA
		ANGULAR	±3 °	DATE: '04/07/13	MATERIAL NO. SEE TABLE	DOCUMENT NO. SD-52559-049
	DRAFT WHERE APPLICABLE MUST REMAIN WITHIN DIMENSIONS		SIZE A3		THIS DRAWING CONTAINS INFORMATION THAT IS PROPRIETARY TO MOLEX INCORPORATED AND SHOULD NOT BE USED WITHOUT WRITTEN PERMISSION	

10 9 8 7 6 5 4 3 2 1



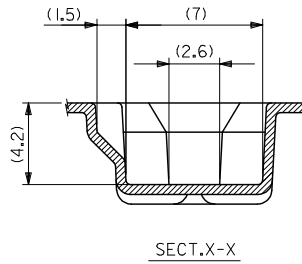
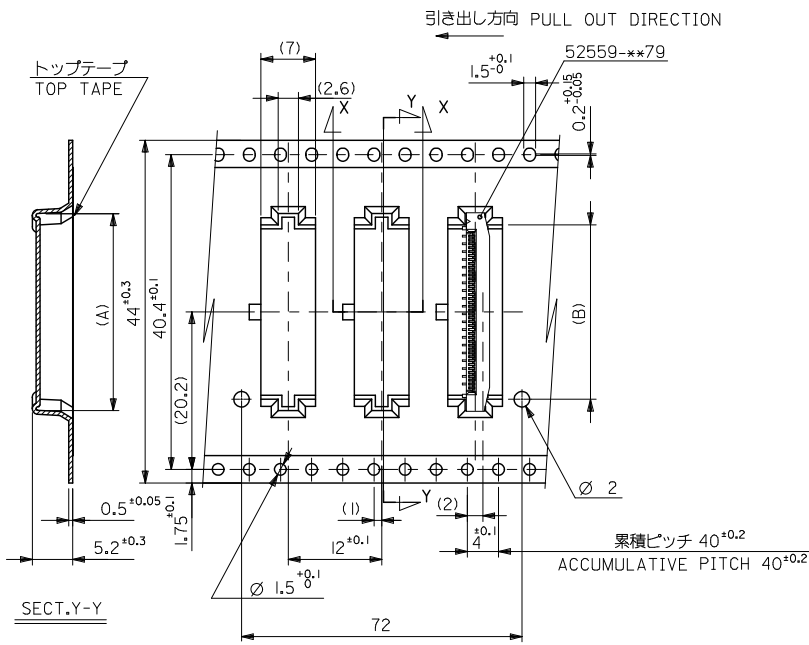
32mm幅キャリアテープ
32mm WIDTH CARRIER TAPE



32	37.4	33.4	18.4	21.3	52559-3252	32
			17.4	20.3	52559-3052	30
			16.4	19.3	52559-2852	28
			15.9	18.8	52559-2752	27
			15.4	18.3	52559-2652	26
キャリアテープ幅 CARRIER TAPE WIDTH	D	C	(B)	(A)	MATERIAL NO.	CIRCUIT NO.

REVISED EC NO: J2009-2061 DRAWN BY: CHYKOHMATSUOTO CHECKED BY: APPR: NUKITA DATE: 2009/05/21 DATE: 2009/05/21	GENERAL TOLERANCES (UNLESS SPECIFIED)		DIMENSION STYLE MM ONLY	SCALE ---	DESIGN UNITS METRIC	THIRD ANGLE PROJECTION
	10 UNDER	±0.2	DRAWN BY MNABEI	DATE '04/07/13	TITLE 0.5 FPC CONN ASSY ZIF FOR SMT EMBSTP PKG -LEAD FREE-	
	10 OVER 30 UNDER	±0.25	CHECKED BY KTOJO	DATE '04/07/13	MOLEX INCORPORATED	
	30 OVER	±0.3	APPROVED BY NUKITA	DATE '04/07/13	DOCUMENT NO. SD-52559-049	SHEET NO. 3 OF 4
	ANGULAR	±3 °	MATERIAL NO. SEE TABLE		THIS DRAWING CONTAINS INFORMATION THAT IS PROPRIETARY TO MOLEX INCORPORATED AND SHOULD NOT BE USED WITHOUT WRITTEN PERMISSION	
DRAFT WHERE APPLICABLE MUST REMAIN WITHIN DIMENSIONS						

10 9 8 7 6 5 4 3 2 1



44mm幅キャリアテープ
44mm WIDTH CARRIER TAPE

44	49.4	45.4	22.4	25.3	52559-4052	40
キャリアテープ幅 CARRIER TAPE WIDTH	D	C	(B)	(A)	MATERIAL NO.	CIRCUIT NO.

REVISED ELC NO: J2009-2061 DRAWN BY: DRWNTKON CHECKED BY: CHYKHMATSUMOTO APPROVED BY: APPR:NUKITA	GENERAL TOLERANCES (UNLESS SPECIFIED)		DIMENSION STYLE	SCALE	DESIGN UNITS	THIRD ANGLE PROJECTION
			MM ONLY	---	METRIC	
	10 UNDER	±0.2	DRAWN BY	DATE	TITLE	
	10 OVER 30 UNDER	±0.25	MNABE I	'04/07/13	0.5 FPC CONN ASSY ZIF FOR SMT EMBSTP PKG -LEAD FREE-	
30 OVER	±0.3	CHECKED BY	DATE	APPROVED BY		DATE
ANGULAR	±3 °	NUKITA	'04/07/13	MOLEX INCORPORATED		
DRAFT WHERE APPLICABLE MUST REMAIN WITHIN DIMENSIONS		MATERIAL NO.	SEE TABLE	DOCUMENT NO.	SD-52559-049	
		SIZE	THIS DRAWING CONTAINS INFORMATION THAT IS PROPRIETARY TO MOLEX INCORPORATED AND SHOULD NOT BE USED WITHOUT WRITTEN PERMISSION			
		REV	SHEET NO. 4 OF 4			