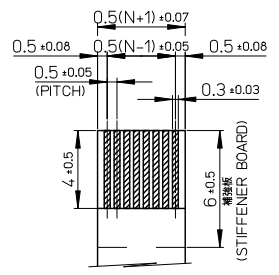
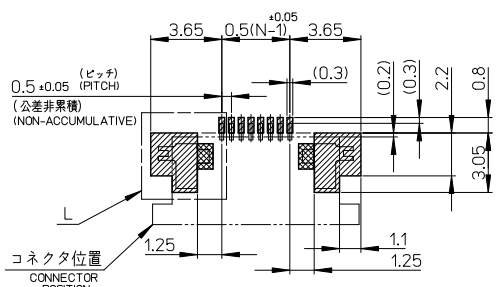
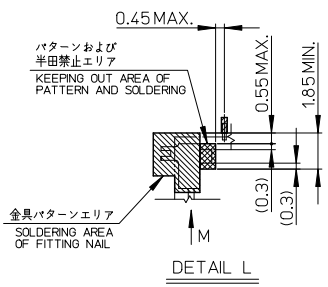


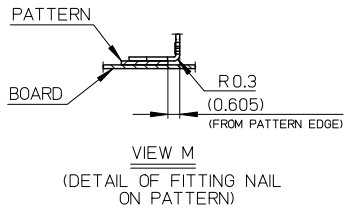
適合めっきFPC推奨寸法
 APPLICABLE FPC OF GOLD
 PLATING RECOMMENDED DIMENSION
 仕上がり厚さ: 0.3±0.05
 THICKNESS: 0.3±0.05/-0.05



適合めっきFPC推奨寸法
 APPLICABLE FPC OF GOLD
 PLATING RECOMMENDED DIMENSION
 仕上がり厚さ: 0.3±0.05
 THICKNESS: 0.3±0.05/-0.05



参考基板レイアウト
 (マウント面)
 RECOMMENDED P.C. BOARD
 PATTERN DIMENSION (REF.)
 (MOUNTING SIDE)



VIEW M
 (DETAIL OF FITTING NAIL
 ON PATTERN)

注記NOTES

1. 使用材料
 MATERIAL
 ハウジング: 46ナイロン、ガラス充填、UL94V-0、白
 HOUSING: PA46, GLASS FILLED, UL94V-0, WHITE
 アクチュエータ: ポリフェニレンサルフィド (PPS)、ガラス充填、UL94V-0、茶色
 ACTUATOR: POLYPHENYLENE SULFIDE, GLASS FILLED, UL94V-0, BROWN
 ターミナル: リン青銅、ニッケル下地めっき (t=0.2)
 TERMINAL: PHOSPHOR BRONZE, GOLD OVER NICKEL PLATING
 金具: リン青銅、ニッケル下地めっき (t=0.2)
 FITTING NAIL: PHOSPHOR BRONZE, TIN OVER NICKEL PLATING
2. エンボステープ梱包時は、アクチュエータがロックした状態になります。
 IN THE PACKAGE, ACTUATOR OF PART
 NO.52437-**-**29 SHOULD BE LOCKED.
- △ ソルダータール半田付け面のズレ量、及び金具半田付け面のズレ量は、
 基準面Hに対して上方向に0.1MAXIMUM、下方向0.15MAXIMUMとする。
 MISALIGNMENT OF SOLDER TAILS AND FITTING NAILS FROM
 DATUM-H.
 UPPER DIRECTION: 0.1MAXIMUM
 LOWER DIRECTION: 0.15 MAXIMUM
- △ 偶数極に適用
 APPLY FOR EVEN CIRCUIT.
- △ ハターン制離止め金具
 FITTING NAIL FOR PREVENTION OF PEELING OF P.W.B. PATTERN.
- △ R0.3は、FPCの導体部にかからないこと
 R0.3 MUST NOT BE OVERLAPED TO PATTERN OF FPC.
7. ソルダータールの平坦度は、0.1MAXIMUMとする。
 SOLDER TAIL COPLANARITY IS 0.1 MAXIMUM.
8. ELV 及び RoHS 適合品
 ELV AND RoHS COMPLIANT

FPCについて:
 打抜き方向は導体側から補強板側を推奨致します。
 補強フィルム材質はポリイミドを推奨致します。
 接着剤は熱硬化接着剤を推奨致します。

ABOUT FPC:
 RECOMMENDED PUNCHER DIRECTION :
 FROM CONDUCTOR SIDE TO STIFFENER BOARD SIDE.
 RECOMMENDED MATERIAL:
 STIFFENER FILM : POLYIMIDE
 BONDING AGENT : THERMOSETTING BONDING AGENT

REVISED EC NO: J2011-0041 DRW: HYOSSHO CHK: H. IJIMA APP: K. MORIKAWA REV: D	GENERAL TOLERANCES (UNLESS SPECIFIED)		DIMENSION STYLE MM ONLY	SCALE 5:1	DESIGN UNITS METRIC	THIRD ANGLE PROJECTION
	10 UNDER	±---	DRAWN BY M. UMEDA	DATE 2004/12/08	TITLE 0.5 FPC CONN. ZIF FOR SMT R/A (BOTTOM CONTACT) GOLD PLATING	
	10 OVER 30 UNDER	±---	CHECKED BY K. TOYOTA	DATE 2004/12/08	MOLEX INCORPORATED	
	30 OVER	±---	APPROVED BY N. UKITA	DATE 2004/12/08	DOCUMENT NO. SD-52437-019	SHEET NO. 2 OF 2
ANGULAR DRAFT WHERE APPLICABLE MUST REMAIN WITHIN DIMENSIONS		±---°	MATERIAL NO. SEE TABLE	THIS DRAWING CONTAINS INFORMATION THAT IS PROPRIETARY TO MOLEX INCORPORATED AND SHOULD NOT BE USED WITHOUT WRITTEN PERMISSION		

10 9 8 7 6 5 4 3 2 1

F

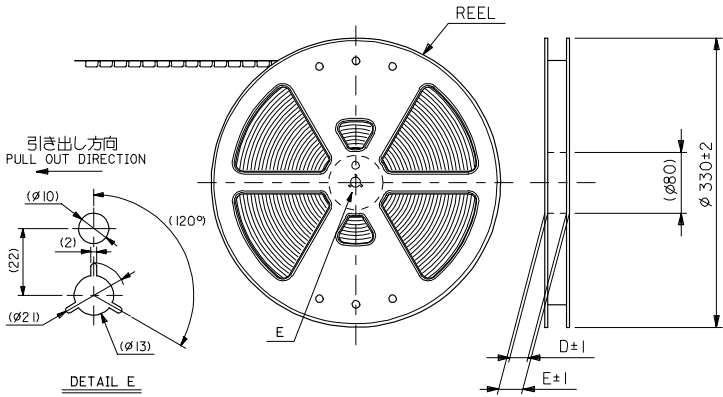
E

D

C

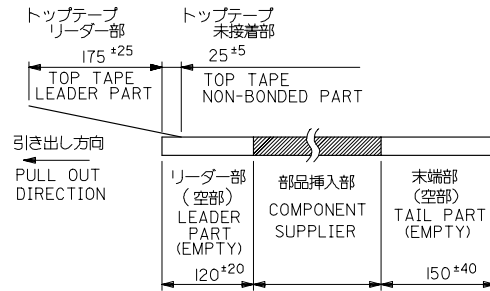
B

A



注記 NOTES

- 製品番号52437-**-29の梱包状態はアクチュエータがロックした状態とする。製品の詳細寸法については図面SD-52437-019を参照下さい。
IN THE PACKAGE, ACTUATOR OF PART NO. 52437-**-29 SHOULD BE LOCKED RE DETAILED DIMENSIONS, SEE SD-52437-019.
- 梱包数量：1000個/リール
NUMBER OF CONNECTORS:1000PCS/REEL
- リードテープ長さ LEAD TAPE LENGTH



5. 材料 (MATERIAL)

キャリアテープ (CARRIER TAPE) : ポリプロピレン (POLYPROPYLENE)
 トップテープ (TOP TAPE) : PET, PE, PEF
 リール (REEL) : ポリスチレン (PS) <リサイクル材を含む>
 POLYSTYREN (PS) <RECYCLE MATERIAL CONTAINED>

6. 本製品は 52437-**-91 の鉛フリー品である。

THIS PRODUCT IS LEAD FREE OF 52437-**-91.

4. トップテープの剥離強度：(剥離方向は下図参照)

0.1N~1.3N (10gf~130gf)尚、本規格値は、出荷時に適用。

(但し、輸送時に剥離が発生しない事。)

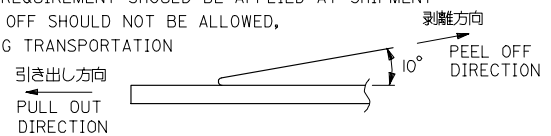
PEELING OFF FORCE OF TOP TAPE

0.1N ~1.3N (10gf ~130gf) (PEELING DIRECTION AS SHOWN IN FOLLOWING FIG.)

THIS REQUIREMENT SHOULD BE APPLIED AT SHIPMENT

PEEL OFF SHOULD NOT BE ALLOWED,

DURING TRANSPORTATION



MODEL NO. 52437-**-71

REVISED EC NO. J2006-2906 2006/03/17 DRAWN:MABEL CHKD:KTOYODA 2006/03/21 APPR:NIUKITA 2006/03/23	GENERAL TOLERANCES (UNLESS SPECIFIED)		DIMENSION STYLE MM ONLY		SCALE ---	DESIGN UNITS METRIC	THIRD ANGLE PROJECTION
	10 UNDER	±0.2	DRAWN BY M.UMEDA	DATE 2004-12/08	TITLE 0.5 FPC CONN. ZIF SMT RA WITH TAPE EMBSTP PKG -LEAD FREE- MOLEX INCORPORATED		
	10 OVER 30 UNDER	±0.25	CHECKED BY K.TOYODA	DATE 2004-12/08			
	30 OVER	±0.3	APPROVED BY N.UKITA	DATE 2004-12/08			
	ANGULAR	±3 °	MATERIAL NO. SEE CHART		DOCUMENT NO. SD-52437-020	SHEET NO. 1 OF 3	
	DRAFT WHERE APPLICABLE MUST REMAIN WITHIN DIMENSIONS		THIS DRAWING CONTAINS INFORMATION THAT IS PROPRIETARY TO MOLEX INCORPORATED AND SHOULD NOT BE USED WITHOUT WRITTEN PERMISSION				

9

8

7

6

5

4

3

2

EN-02JA(021)

F

E

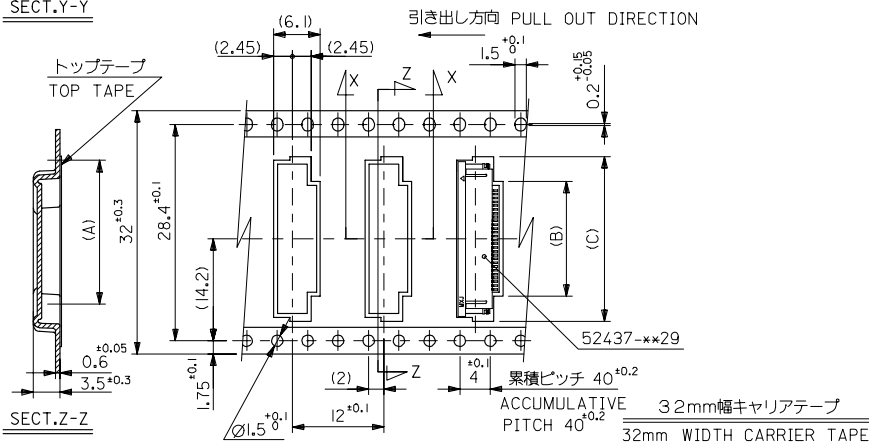
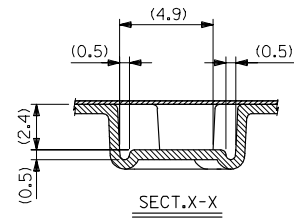
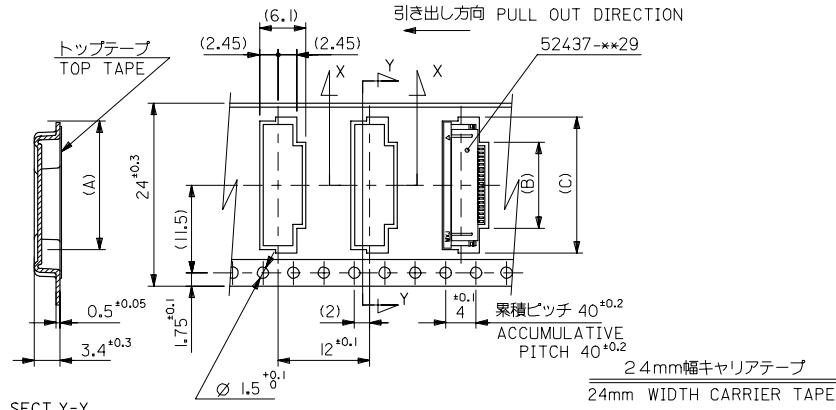
D

C

B

A

10 9 8 7 6 5 4 3 2 1



32	37.4	33.4	22.4	15.8	21.4	52437-2971	29
			21.9	15.3	20.9	52437-2871	28
			21.4	14.8	20.4	52437-2771	27
			20.9	14.3	19.9	52437-2671	26
			20.4	13.8	19.4	52437-2571	25
			19.9	13.3	18.9	52437-2471	24
24	29.4	25.4	19.4	12.8	18.4	52437-2371	23
			18.9	12.3	17.9	52437-2271	22
			18.4	11.8	17.4	52437-2171	21
			17.9	11.3	16.9	52437-2071	20
			14.9	8.3	13.9	52437-1471	14
			13.9	7.3	12.9	52437-1271	12
キャリアテープ幅 CARRIER TAPE WIDTH	E	D	(C)	(B)	(A)	MATERIAL NO.	積数 CIRCUIT
						MODEL NO.	52437-**-71

REVISED REV. DESCRIPTION	GENERAL TOLERANCES (UNLESS SPECIFIED)		DIMENSION STYLE MM ONLY		SCALE ---	DESIGN UNITS METRIC	THIRD ANGLE PROJECTION
	10 UNDER	±0.2	DRAWN BY M.UMEDA	DATE 2004/12/08	TITLE 0.5 FPC CONN. ZIF SMT RA WITH TAPE EMBSTP PKG -LEAD FREE-		
	10 OVER 30 UNDER	±0.25	CHECKED BY K.TOYODA	DATE 2004/12/08	MOLEX INCORPORATED		
	30 OVER	±0.3	APPROVED BY N.UKITA	DATE 2004/12/08	MATERIAL NO. SEE CHART		
	ANGULAR	±3 °	DRAFT WHERE APPLICABLE MUST REMAIN WITHIN DIMENSIONS		DOCUMENT NO. SD-52437-020	SHEET NO. 2 OF 3	
THIS DRAWING CONTAINS INFORMATION THAT IS PROPRIETARY TO MOLEX INCORPORATED AND SHOULD NOT BE USED WITHOUT WRITTEN PERMISSION				EN-02JA(021)			

10 9 8 7 6 5 4 3 2 1

F

E

D

C

B

A

F

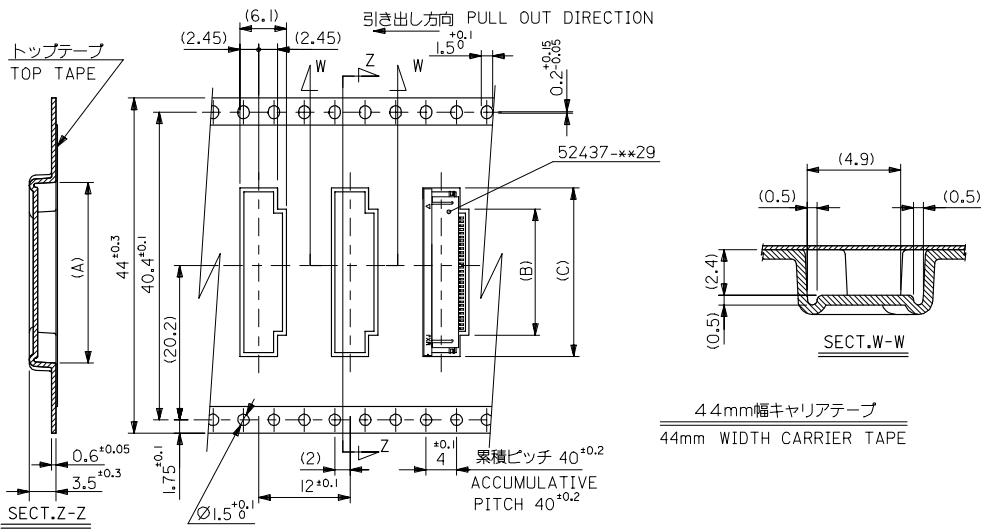
E

D

C

B

A



44	49.4	45.4	22.9	16.3	21.9	52437-3071	30
キャリアテープ幅 CARRIER TAPE WIDTH	E	D	(C)	(B)	(A)	MATERIAL NO.	積数 CIRCUIT
						MODEL NO.	25437-**71

REVISED EC NO: J2006-2906 DRW: H.M.BEI CHK: K.TOYODA APPR: N.UKITA 2006/03/17 2006/03/21 2006/03/23	GENERAL TOLERANCES (UNLESS SPECIFIED)		DIMENSION STYLE MM ONLY		SCALE ---	DESIGN UNITS METRIC	THIRD ANGLE PROJECTION
	10 UNDER	±0.2	DRAWN BY M.UMEDA	DATE 2004/12/08	TITLE 0.5 FPC CONN. ZIF SMT RA WITH TAPE EMBSTP PKG -LEAD FREE- MOLEX INCORPORATED		
	10 OVER 30 UNDER	±0.25	CHECKED BY K.TOYODA	DATE 2004/12/08			
	30 OVER	±0.3	APPROVED BY N.UKITA	DATE 2004/12/08			
	ANGULAR ±3 °		DRAFT WHERE APPLICABLE MUST REMAIN WITHIN DIMENSIONS		MATERIAL NO. SEE CHART	DOCUMENT NO. SD-52437-020	SHEET NO. 3 OF 3
				SIZE A3	THIS DRAWING CONTAINS INFORMATION THAT IS PROPRIETARY TO MOLEX INCORPORATED AND SHOULD NOT BE USED WITHOUT WRITTEN PERMISSION		

fb_frame_A3_1_ME_S
Rev. D 2004/04/02

9 8 7 6 5 4 3 2 1 EN-02JA(021)