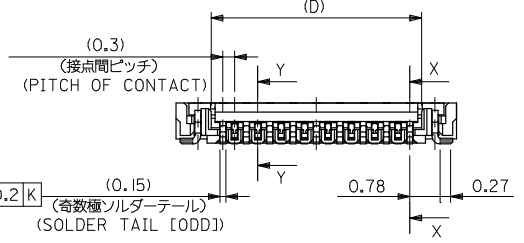
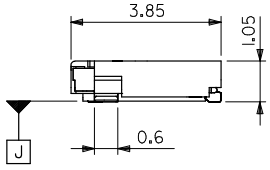
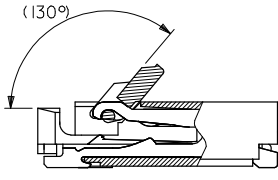
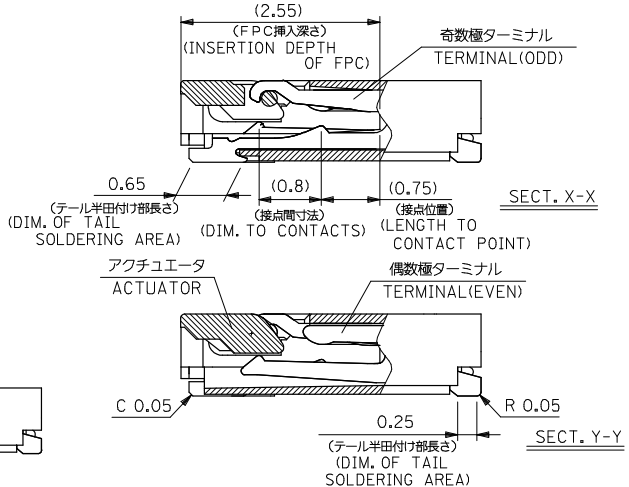
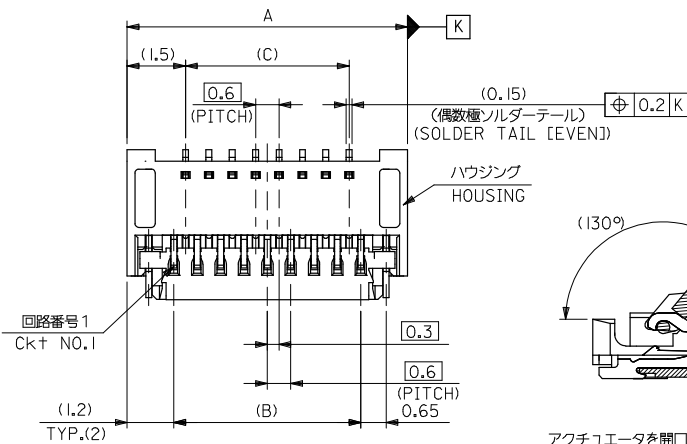


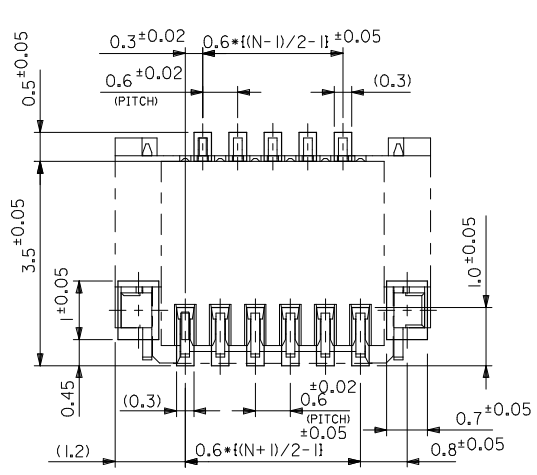
10 9 8 7 6 5 4 3 2 1



15.6	14.4	15.0	17.4	500797-5194	500797-5150	51
12.6	11.4	12.0	14.4	500797-4194	500797-4150	41
12.0	10.8	11.4	13.8	500797-3994	500797-3950	39
10.8	9.6	10.2	12.6	500797-3594	500797-3550	35
10.2	9.0	9.6	12.0	500797-3394	500797-3350	33
9.6	8.4	9.0	11.4	500797-3194	500797-3150	31
8.4	7.2	7.8	10.2	500797-2794	500797-2750	27
7.8	6.6	7.2	9.6	500797-2594	500797-2550	25
7.2	6.0	6.6	9.0	500797-2394	500797-2350	23
5.4	4.2	4.8	7.2	500797-1794	500797-1750	17
4.8	3.6	4.2	6.6	500797-1594	500797-1550	15
3.6	2.4	3.0	5.4	500797-1194	500797-1150	11
D	C	B	A	EMBOSSSED TAPE	MATERIAL NO.	CKT.
				ORDER No. オート番号	500797-**50	MODEL No.

REVISED EC NO: J2008-4034 DRAWN BY: 2008/05/28 CHYKO:THAYUAMA APPR: NUKITA 2008/05/28	GENERAL TOLERANCES (UNLESS SPECIFIED)		DIMENSION STYLE MM ONLY		SCALE ---	DESIGN UNITS METRIC	THIRD ANGLE PROJECTION
	10 UNDER	±0.2	DRAWN BY YMAEDA	DATE 2006/03/07	TITLE 0.3 FPC CONN E/O HSG ASSY (HGT=1.05MM) GOLD PLATING -LEAD FREE-		
	10 OVER 30 UNDER	±0.25	CHECKED BY MTANAKA	DATE 2006/03/07	MOLEX INCORPORATED		
	30 OVER	±0.3	APPROVED BY NUKITA	DATE 2006/03/07	MATERIAL NO. SEE TABLE	DOCUMENT NO. SD-500797-005	SHEET NO. 1 OF 2
ANGULAR ±3°		DRAFT WHERE APPLICABLE MUST REMAIN WITHIN DIMENSIONS		THIS DRAWING CONTAINS INFORMATION THAT IS PROPRIETARY TO MOLEX INCORPORATED AND SHOULD NOT BE USED WITHOUT WRITTEN PERMISSION			

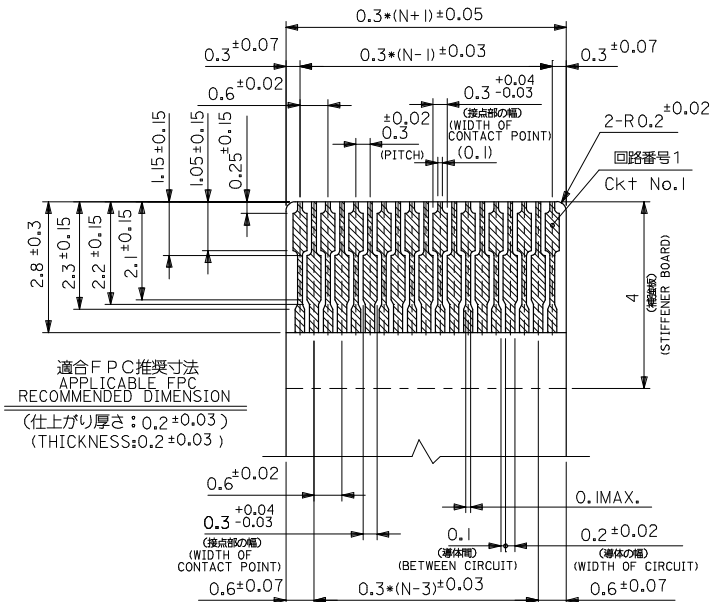
10 9 8 7 6 5 4 3 2 1



参考基板レイアウト図
(マウント面)
(MOUNTING SIDE)

注記 NOTES

1. 使用材料 MATERIAL
 ハウジング : 液晶ポリマー ガラス充填 UL94V-0
 HOUSING : LIQUID CRYSTAL POLYMER (GLASS FILLED) UL94V-0
 アクチュエータ : 46 ナイロン ガラス充填 UL94V-0
 ACTUATOR : 46 NYLON (GLASS FILLED) UL94V-0
 ターミナル : 銅合金 (t=0.15), ニッケル下地メッキ
 TERMINAL : COPPER ALLOY, GOLD OVER NICKEL PLATING.
 金具 : リン青銅 (t=0.15), ニッケル下地メッキ
 FITTING NAIL : PHOSPHOR-BRONZE, TIN OVER NICKEL PLATING.
 △ ソルダータール半田付け面のズレ量、及び金具半田付け面のズレ量は、基準面 □ に対し、
 上方向 0.1MAXIMUM 下方向 0.15MAXIMUM とする。
 又、相互のバラツキ量は 0.1MAXIMUM とする。
 MISALIGNMENT OF SOLDER TAILS AND FITTING NAILS FROM □
 UPPER DIRECTION : 0.1 MAXIMUM, LOWER DIRECTION : 0.15 MAXIMUM.
 OFFSET BETWEEN SOLDER TAILS AND FITTING NAILS : 0.1 MAXIMUM.



適合FPC推奨寸法
APPLICABLE FPC
RECOMMENDED DIMENSION
(仕上がり厚さ: 0.2±0.03)
(THICKNESS: 0.2±0.03)

FPCについて:
 打抜き方向は導体側から補強板側を推奨いたします。
 導体側については軟銅箔35マイクロメートルまたは50マイクロメートルを
 推奨致します。
 補強フィルム材質はポリイミドを推奨します。
 接着剤は熱硬化接着剤を推奨します。

ABOUT FPC
 RECOMMENDED PUNCHER DIRECTION : FROM CONDUCTOR SIDE TO STIFFENER FILM SIDE.
 RECOMMENDED CONDUCTOR SPEC :
 THICKNESS OF SOFT COPPER FOIL : 35 MICROMETER OR 50 MICROMETER
 RECOMMENDED MATERIAL :
 STIFFENER FILM : POLYIMIDE
 BONDING AGENT : THERMOSETTING BONDING AGENT

REVISED EC NO: J2008-4034 DRAWN BY: DRWNMBEL CHKD: THARYAMA APPR: NUKITA	DESCRIPTION 2008/05/28 2008/05/28 2008/05/28	GENERAL TOLERANCES (UNLESS SPECIFIED)		DIMENSION STYLE MM ONLY		SCALE ---	DESIGN UNITS METRIC	THIRD ANGLE PROJECTION	
		10 UNDER	±0.2	DRAWN BY YMAEDA	DATE 2006/03/06	TITLE 0.3 FPC CONN E/O HSG ASSY (HGT=1.05MM) GOLD PLATING -LEAD FREE-			
		10 OVER 30 UNDER	±0.25	CHECKED BY MTANAKA	DATE 2006/03/06	MOLEX INCORPORATED			
		30 OVER	±0.3	APPROVED BY NUKITA	DATE 2006/03/06	MATERIAL NO. SEE SHEET 1			
ANGULAR ±3 °		DRAFT WHERE APPLICABLE MUST REMAIN WITHIN DIMENSIONS		DOCUMENT NO. SD-500797-005		SHEET NO. 2 OF 2			

10 9 8 7 6 5 4 3 2 1

F

E

D

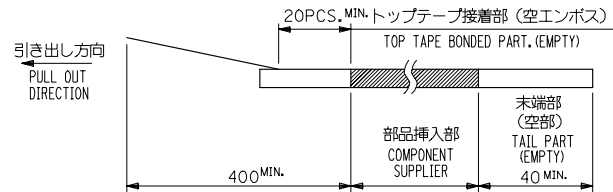
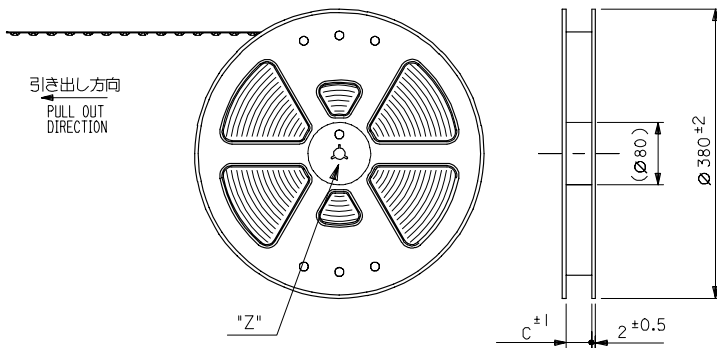
C

B

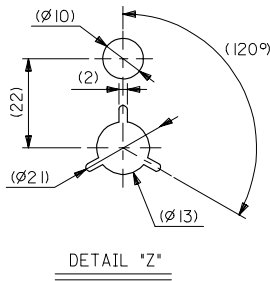
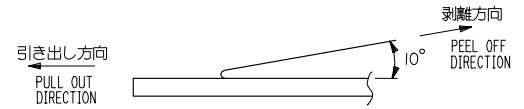
A

NOTES

- 製品詳細寸法については図面 SD-500797-005 を参照下さい。
RE DETAILED DIMENSION, SEE SD-500797-005
- 梱包数量：3000個/リール
NUMBER OF CONNECTORS : 3000PCS/REEL
- リードテープ長さ LEAD TAPE LENGTH



- トップテープの剥離強度：0.1N ~ 1.3N(10.2gf ~ 132.6gf)
(剥離方向は下図参照)
尚、本規格値は出荷時に適用。(但し、輸送時に剥離が発生しないこと。)
PEELING OFF FORCE OF TOP TAPE : 0.1N ~ 0.7N(10.2gf ~ 71.4gf)
(PEELING DIRECTION AS SHOWN IN FOLLOWING FIG.)
THIS REQUIREMENT SHOULD BE APPLIED AT SHIPMENT.
PEEL OFF SHOULD NOT BE ALLOWED , DURING TRANSPORTATION.



- 材料 (MATERIAL)
キャリアテープ (CARRIER TAPE) : ポリプロピレン (POLYPROPYLENE)
トップテープ (TOP TAPE) : PET , PE , PEF
リール (REEL) : ポリスチレン (PS) <リサイクル材含む>
POLYSTYREN (PS) <RECYCLE MATERIAL CONTAINED>
- C寸法は SHEET 2 ~ 4 を参照下さい。
SEE SHEET 2 ~ 4 (DIMENSION C).
- 欠品無きこと。
THERE SHALL BE NO MISSING PRODUCTS.

REVISED EC NO: J2008-003 DRAWN: HAYASHI 2007/07/02 CHKD: MORIKAWA 2007/07/02 APPR: MORIKAWA 2007/07/03	GENERAL TOLERANCES (UNLESS SPECIFIED)		DIMENSION STYLE MM ONLY		SCALE ---	500797-x*94	MODEL NO.
	10 UNDER	±0.2	DRAWN BY YMAEDA	DATE 2006/03/07	TITLE	DESIGN UNITS METRIC	THIRD ANGLE PROJECTION
	10 OVER 30 UNDER	±0.25	CHECKED BY MTANAKA	DATE 2006/03/07	EMBSTP PKG FOR 0.3 FPC CONN (HGT=1.05MM) GOLD PLATING -LEAD FREE- MOLEX INCORPORATED	MATERIAL NO. SEE CHART	DOCUMENT NO. SD-500797-006
	30 OVER	±0.3	APPROVED BY NUKITA	DATE 2006/03/07			
ANGULAR ±3 °		DRAFT WHERE APPLICABLE MUST REMAIN WITHIN DIMENSIONS		SIZE A3	THIS DRAWING CONTAINS INFORMATION THAT IS PROPRIETARY TO MOLEX INCORPORATED AND SHOULD NOT BE USED WITHOUT WRITTEN PERMISSION		

9

8

7

6

5

4

3

2

EN-02JA(021)

F

E

D

C

B

A

10 9 8 7 6 5 4 3 2 1

F

E

D

C

B

A

F

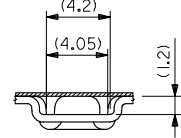
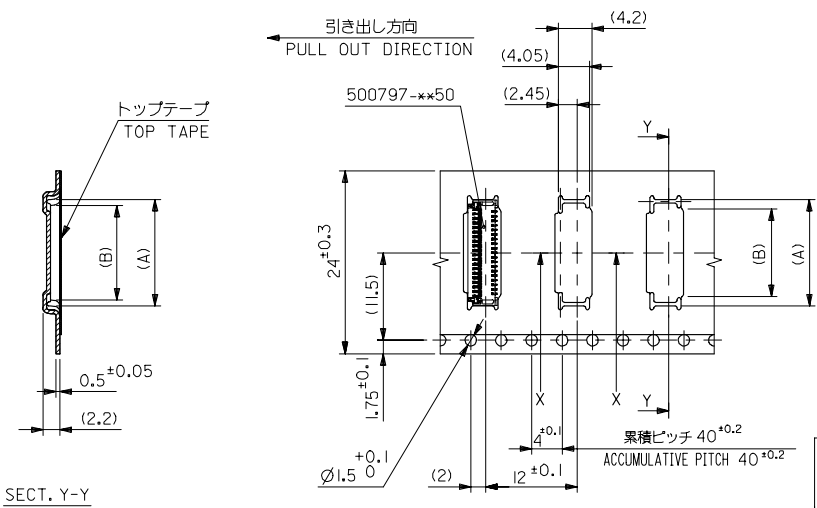
E

D

C

B

A



SECT. X-X

SECT. Y-Y

24mm幅キャリアテープ
24mm WIDTH CARRIER TAPE

24	25.5	12.4	14.6	500797-4194	41
		11.8	14.0	500797-3994	39
		10.6	12.8	500797-3594	35
		10.0	12.2	500797-3394	33
		9.4	11.6	500797-3194	31
		8.2	10.4	500797-2794	27
		7.6	9.8	500797-2594	25
		7.0	9.2	500797-2394	23
5.2	7.4	500797-1794	17		
キャリアテープ幅 CARRIER TAPE WIDTH		C	(B)	(A)	製品番号 MATERIAL No.
					極数 Ck†
					500797-xx94 MODEL No.

REVISED EC NO: J2008-003 DRW: HAYASHI CHK: K. MORIKAWA APPR: MORIKAWA 2007/07/02 2007/07/02 2007/07/03	GENERAL TOLERANCES (UNLESS SPECIFIED)		DIMENSION STYLE MM ONLY		SCALE ---	DESIGN UNITS METRIC	THIRD ANGLE PROJECTION
	10 UNDER	±0.2	DRAWN BY YMAEDA	DATE 2006/03/07	TITLE EMBSTP PKG FOR 0.3 FPC CONN (HGT=1.05MM) GOLD PLATING -LEAD FREE- MOLEX MOLEX INCORPORATED		
	10 OVER 30 UNDER	±0.25	CHECKED BY MTANAKA	DATE 2006/03/07			
	30 OVER	±0.3	APPROVED BY NUKITA	DATE 2006/03/07			
	ANGULAR ±3 °		MATERIAL NO.		DOCUMENT NO.		SHEET NO.
DRAFT WHERE APPLICABLE MUST REMAIN WITHIN DIMENSIONS		SEE CHART		SD-500797-006		3 OF 4	

