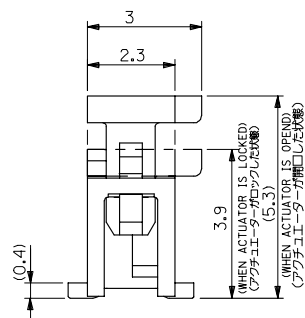
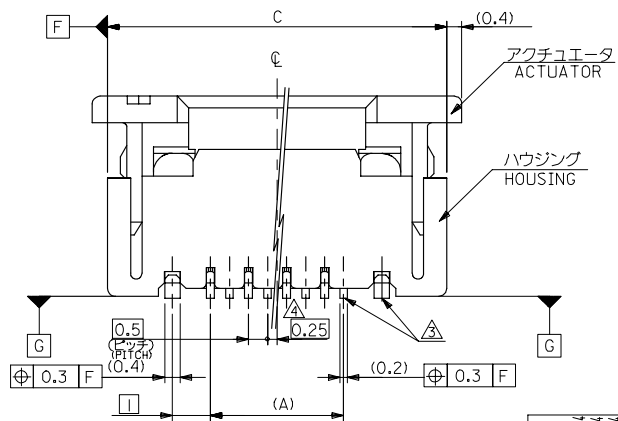
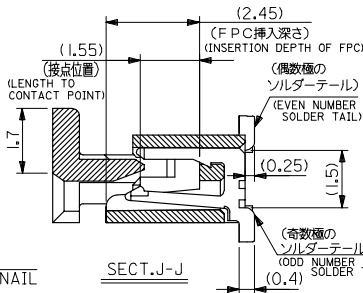
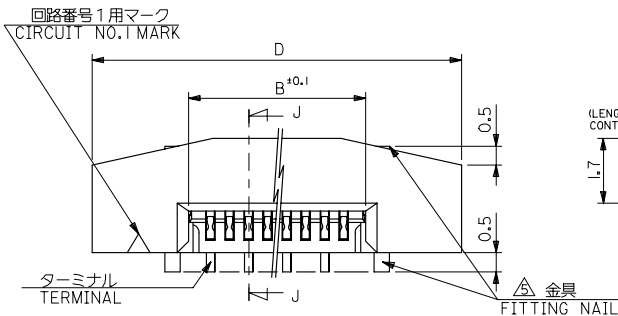


10 9 8 7 6 5 4 3 2 1



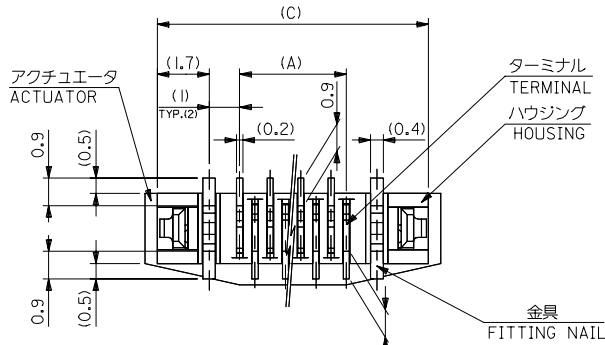
注記 NOTES

- I. 使用材料・MATERIAL
 - ハウジング HOUSING :46NYLON UL94V-0
 - アクチュエータ ACTUATOR :PPS UL94V-0
 - ターミナル TERMINAL :リン青銅 (t=0.2) PHOS-BRO
 - : 接点部 金メッキ 0.1マイクロメートル以上 CONTACT GOLD 0.1 MICROMETER MINIMUM
 - : 半田付け部 錫メッキ 1.0マイクロメートル以上 TAIL TIN 1.0 MICROMETER MINIMUM
 - : ニッケル下地 1.0マイクロメートル以上 NICKEL(UNDER PLATING) 1.0 MICROMETER MINIMUM
 - : リン青銅 (t=0.4) PHOS-BRO
 - 金具 FITTING NAIL : 錫メッキ 1.0マイクロメートル以上 TIN 1.0 MICROMETER MINIMUM
 - : ニッケル下地 1.0マイクロメートル以上 NICKEL(UNDER PLATING) 1.0 MICROMETER MINIMUM
2. エンボステープ梱包時は、アクチュエータがロックした状態とする。
 IN THE PACKAGE,ACTUATOR OF PART NO.52559-**79 SHOULD BE LOCKED.
- △ソルダータール半田付け面のスレ量、及び金具半田付け面のスレ量は、基準面[G]に対し上方向0.05 MAX.、下方向0.15 MAX.とする。
 MISALIGNMENT OF SOLDER TAILS AND FITTING NAILS FROM [G] UPPER DIRECTION: 0.05 MAX. , LOWER DIRECTION: 0.15 MAX.
- △偶数極に適用。
 APPLY FOR EVEN CIRCUIT.
- △パターンはくり止め用金具。
 FITTING NAIL FOR PREVENTION OF PEELING OF P.C.B. PATTERN.
- △R0.3は、FPCの導体部にかからないこと。
 R0.3 MUST NOT BE OVERLAPPED TO PATTERN OF FPC.

MODEL NO. 52559-**79

| | | | | | | | |
|--|---------------------------------------|-----------|----------------------------|-------------------|---------------------------------|------------------------|---------------------------|
| RELEASED IEC NO. J2005-0174 DRAWN: MABEI CHKD: KTOJO APPR: NUKITA | GENERAL TOLERANCES (UNLESS SPECIFIED) | | DIMENSION STYLE MM ONLY | | SCALE --- | DESIGN UNITS METRIC | THIRD ANGLE PROJECTION |
| | 10 UNDER | ±0.2 | DRAWN BY MNABE I | DATE '04/07/13 | TITLE 0.5 FPC CONN ASSY ZIF. | | |
| | 10 OVER 30 UNDER | ±0.25 | CHECKED BY KTOJO | DATE '04/07/13 | -LEAD FREE- | | |
| | 30 OVER | ±0.3 | APPROVED BY NUKITA | DATE '04/07/13 | MOLEX INCORPORATED | | |
| | ANGULAR | ±3 ° | MATERIAL NO. | DOCUMENT NO. | SHEET NO. | | |
| DRAFT WHERE APPLICABLE MUST REMAIN WITHIN DIMENSIONS | | SEE CHART | | SD-52559-048 | | 1 OF 2 | |
| THIS DRAWING CONTAINS INFORMATION THAT IS PROPRIETARY TO MOLEX INCORPORATED AND SHOULD NOT BE USED WITHOUT WRITTEN PERMISSION | | | | | | | |

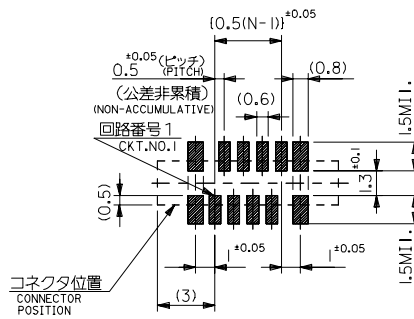
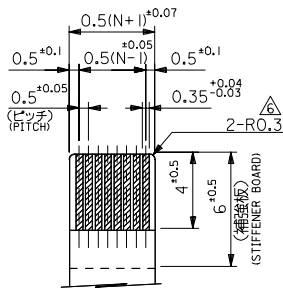
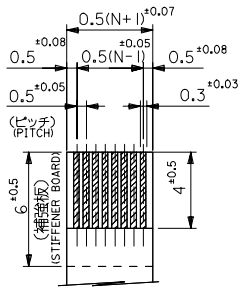
10 9 8 7 6 5 4 3 2 1



FPCについて：
打抜き方向は導体側から補強板側を推奨致します。
補強フィルム材質はポリイミドを推奨致します。
接着剤は熱硬化接着剤を推奨致します。

ABOUT FPC :
RECOMMENDED PUNCHER DIRECTION : FROM CONDUCTOR SIDE TO STIFFENER BOARD SIDE.
RECOMMENDED MATERIAL :
STIFFENER FILM : POLYIMIDE
BONDING AGENT : THERMOSETTING BONDING AGENT

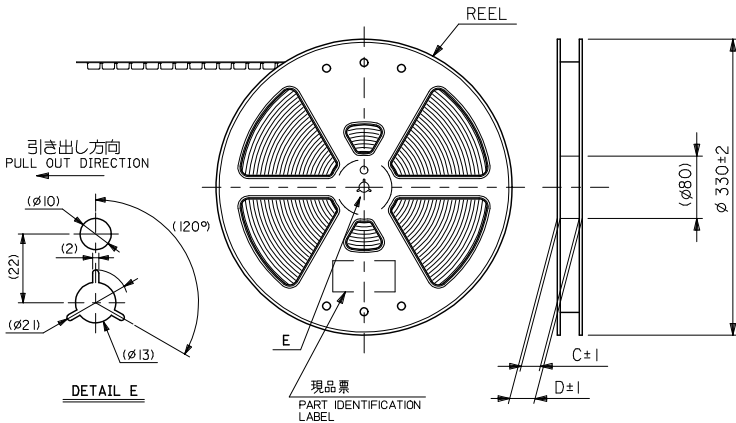
下面図
BOTTOM VIEW



| | | | | | |
|------|------|-------|------|--------------|----------|
| 25.7 | 24.9 | 20.65 | 19.5 | 52559-4079 | 40 |
| 23.7 | 22.9 | 18.65 | 17.5 | | -3679 36 |
| 22.2 | 21.4 | 17.15 | 16.0 | | -3379 33 |
| 21.7 | 20.9 | 16.65 | 15.5 | | -3279 32 |
| 21.2 | 20.4 | 16.15 | 15.0 | | -3179 31 |
| 20.7 | 19.9 | 15.65 | 14.5 | | -3079 30 |
| 20.2 | 19.4 | 15.15 | 14.0 | | -2979 29 |
| 19.7 | 18.9 | 14.65 | 13.5 | | -2879 28 |
| 19.2 | 18.4 | 14.15 | 13.0 | | -2779 27 |
| 18.7 | 17.9 | 13.65 | 12.5 | | -2679 26 |
| 18.2 | 17.4 | 13.15 | 12.0 | | -2579 25 |
| 17.7 | 16.9 | 12.65 | 11.5 | | -2479 24 |
| 17.2 | 16.4 | 12.15 | 11.0 | | -2379 23 |
| 16.7 | 15.9 | 11.65 | 10.5 | | -2279 22 |
| 16.2 | 15.4 | 11.15 | 10.0 | | -2179 21 |
| 15.7 | 14.9 | 10.65 | 9.5 | | -2079 20 |
| 15.2 | 14.4 | 10.15 | 9.0 | | -1979 19 |
| 14.7 | 13.9 | 9.65 | 8.5 | | -1879 18 |
| 14.2 | 13.4 | 9.15 | 8.0 | | -1779 17 |
| 13.7 | 12.9 | 8.65 | 7.5 | | -1679 16 |
| 13.2 | 12.4 | 8.15 | 7.0 | | -1579 15 |
| 12.7 | 11.9 | 7.65 | 6.5 | | -1479 14 |
| 12.2 | 11.4 | 7.15 | 6.0 | | -1379 13 |
| 11.7 | 10.9 | 6.65 | 5.5 | | -1279 12 |
| 11.2 | 10.4 | 6.15 | 5.0 | | -1179 11 |
| 10.7 | 9.9 | 5.65 | 4.5 | | -1079 10 |
| 10.2 | 9.4 | 5.15 | 4.0 | | -0979 9 |
| 9.7 | 8.9 | 4.65 | 3.5 | | -0879 8 |
| 8.7 | 7.9 | 3.65 | 2.5 | 52559-0679 | 6 |
| D | C | B | (A) | MATERIAL NO. | 極致 |

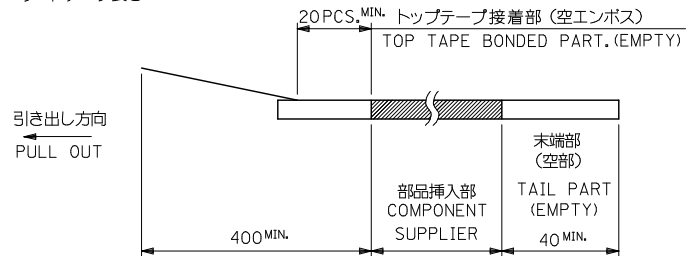
| | | | | | |
|--------------------|------------|--|-----------------|---|------------------------|
| RELEASED | 2004/07/14 | GENERAL TOLERANCES (UNLESS SPECIFIED) | DIMENSION STYLE | SCALE | MODEL NO. |
| IEC NO. J2005-0174 | 2004/07/14 | (UNLESS SPECIFIED) | MM ONLY | --- | 52559-xx79 |
| DRW: NABE1 | 2004/07/14 | 10 UNDER ±0.2 | DRAWN BY | DESIGN UNITS | THIRD ANGLE PROJECTION |
| CHK: KTOJO | 2004/07/14 | 10 OVER 30 UNDER ±0.25 | MNABE1 | METRIC | 0.5 FPC CONN ASSY ZIF. |
| APPR: NIKITA | 2004/07/14 | 30 OVER ±0.3 | CHECKED BY | | -LEAD FREE- |
| DESCRIPTION | | ANGULAR ±3 ° | KTOJO | | MOLEX INCORPORATED |
| | | DRAFT WHERE APPLICABLE MUST REMAIN WITHIN DIMENSIONS | APPROVED BY | | |
| | | | NIKITA | | |
| | | | MATERIAL NO. | DOCUMENT NO. | SHEET NO. |
| | | | SEE CHART | SD-52559-048 | 2 OF 2 |
| | | | SIZE A3 | THIS DRAWING CONTAINS INFORMATION THAT IS PROPRIETARY TO MOLEX INCORPORATED AND SHOULD NOT BE USED WITHOUT WRITTEN PERMISSION | |

10 9 8 7 6 5 4 3 2 1



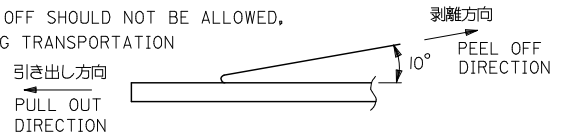
注記 NOTES

- 製品番号 52559-**79 の梱包状態はアクチュエータがロックした状態とする。
IN THE PACKAGE,ACTUATOR OF PART NO.52559-**79 SHOULD BE LOCKED
RE DETAILED DIMENSIONS,SEE ASSY DRAWING
- 梱包数量：1000個/リール
NUMBER OF CONNECTORS:1000PCS/REEL
- リードテープ長さ LEAD TAPE LENGTH



- トップテープの剥離強度：(剥離方向は下図参照)
0.1N~1.3N {10gf~130gf} 尚、本規格値は、出荷時に適用。
(但し、輸送時に剥離が発生しない事。)

PEELING OFF FORCE OF TOP TAPE
0.1N~1.3N{10gf~130gf}(PEELING DIRECTION AS SHOWN IN FOLLOWING FIG.)
THIS REQUIREMENT SHOULD BE APPLIED AT SHIPMENT
PEEL OFF SHOULD NOT BE ALLOWED,
DURING TRANSPORTATION



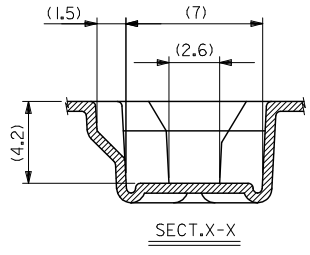
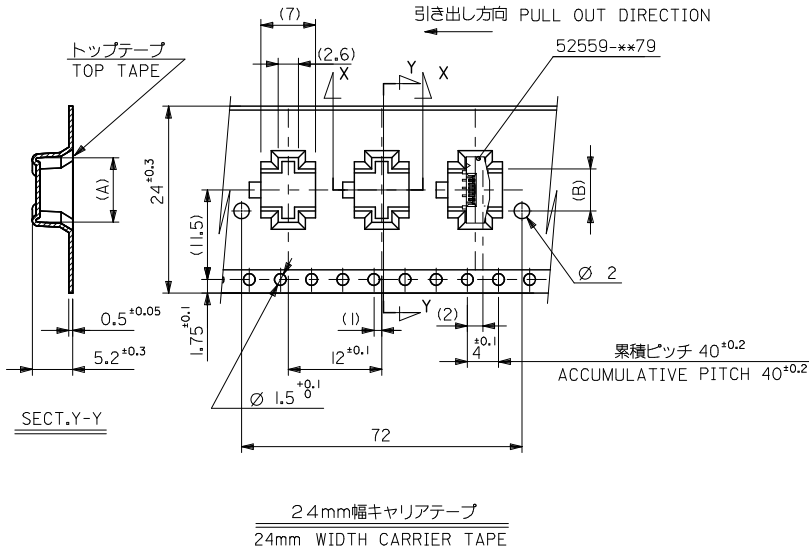
- 材料 キャリアテープ：ポリプロピレン (PP)
トップテープ：PET, PE, PEF
リール：ポリスチレン (PS) <リサイクル材を含む>

MATERIAL CARRIER TAPE:POLYPROPYLENE
TOP TAPE:PET,PE,PEF
REEL:POLYSTYRENE (PS)
<RECYCLE MATERIAL CONTAINED>

- 本製品は 52559-**53 のエンボステープ違い品である。
THIS PRODUCT IS EMBOSSED TAPE DIFFERENCE ARTICLE OF 52559-**53.
- 本製品は乾燥剤入り、ハイバリア梱包仕様である。
THIS PRODUCT IS HIGH BARRIER PACKAGE WITH DESICCANT.

| | | | | | | | | |
|---|--|--|----------------------------|-------------------------------|--|------------------------|-----------|--|
| REVISED EC NO: J2009-2061 DRAWN BY DRYUNIKON 2009/05/20 CHECKED BY CHYKHMATSUMOTO 2009/05/21 APPROVED BY APPR:NIKITA 2009/05/21 REV: G | GENERAL TOLERANCES (UNLESS SPECIFIED) | | DIMENSION STYLE MM ONLY | | SCALE --- | 52559-**52 | MODEL NO. | |
| | 10 UNDER | ±0.2 | DRAWN BY MNABE I | DATE '04/07/13 | TITLE | DESIGN UNITS METRIC | | |
| | 10 OVER 30 UNDER | ±0.25 | CHECKED BY KT0JO | DATE '04/07/13 | 0.5 FPC CONN ASSY ZIF FOR SMT EMBSTP PKG -LEAD FREE- | | | |
| | 30 OVER | ±0.3 | APPROVED BY NUKITA | DATE '04/07/13 | MOLEX INCORPORATED | | | |
| ANGULAR ±3° | | DRAFT WHERE APPLICABLE MUST REMAIN WITHIN DIMENSIONS | | MATERIAL NO. SEE SHEET 2-4 | DOCUMENT NO. SD-52559-049 | SHEET NO. 1 OF 4 | | |
| THIS DRAWING CONTAINS INFORMATION THAT IS PROPRIETARY TO MOLEX INCORPORATED AND SHOULD NOT BE USED WITHOUT WRITTEN PERMISSION | | | | | | | | |

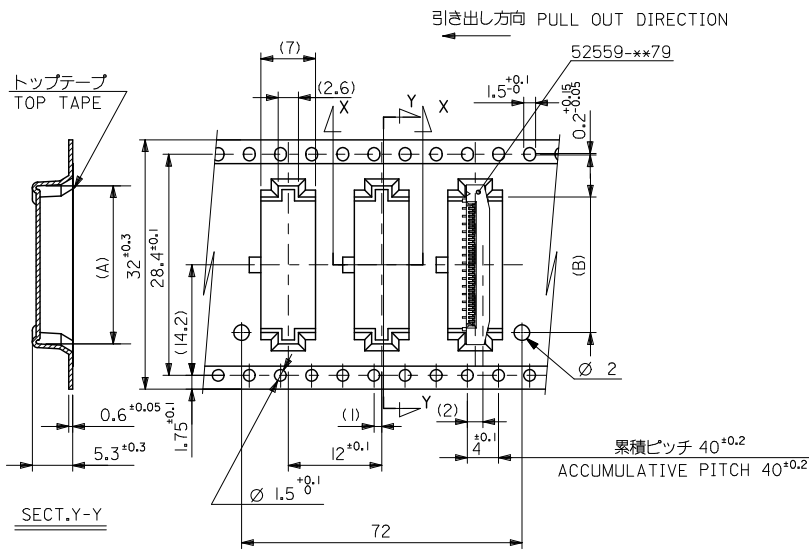
10 9 8 7 6 5 4 3 2 1



| | | | | | | |
|--------------------------------|------|------------|------|------|--------------|-------------|
| 24 | 29.4 | 25.4 | 14.4 | 17.3 | 52559-2452 | 24 |
| | | | 13.9 | 16.8 | 52559-2352 | 23 |
| | | | 12.9 | 15.8 | 52559-2152 | 21 |
| | | | 12.4 | 15.3 | 52559-2052 | 20 |
| | | | 10.9 | 13.8 | 52559-1752 | 17 |
| | | | 10.4 | 13.3 | 52559-1652 | 16 |
| | | | 9.9 | 12.8 | 52559-1552 | 15 |
| | | | 9.4 | 12.3 | 52559-1452 | 14 |
| | | | 8.4 | 11.3 | 52559-1252 | 12 |
| | | | 7.4 | 10.3 | 52559-1052 | 10 |
| 6.9 | 9.8 | 52559-0952 | 9 | | | |
| 5.4 | 8.3 | 52559-0652 | 6 | | | |
| キャリアテープ幅 CARRIER TAPE WIDTH | | | (B) | (A) | MATERIAL NO. | CIRCUIT NO. |

| | | | | | | | |
|--|---------------------------------------|--|----------------------------|-------------------|---|------------------------|---------------------------|
| REVISED EEC NO: J2009-2061 DRAWN BY: IWANIKON CHECKED BY: CHYKOHMATSUMOTO APPROVED BY: APPR:NIKITA DATE: 2009/05/20 DATE: 2009/05/21 DATE: 2009/05/21 DESCRIPTION: | GENERAL TOLERANCES (UNLESS SPECIFIED) | | DIMENSION STYLE MM ONLY | | SCALE --- | DESIGN UNITS METRIC | THIRD ANGLE PROJECTION |
| | 10 UNDER | ±0.2 | DRAWN BY MNABEI | DATE '04/07/13 | TITLE 0.5 FPC CONN ASSY ZIF FOR SMT EMBSTP PKG -LEAD FREE- | | |
| | 10 OVER 30 UNDER | ±0.25 | CHECKED BY KTOJO | DATE '04/07/13 | MOLEX INCORPORATED | | |
| | 30 OVER | ±0.3 | APPROVED BY NUKITA | DATE '04/07/13 | DOCUMENT NO. SD-52559-049 | | |
| | ANGULAR | ±3 ° | MATERIAL NO. SEE TABLE | | SHEET NO. 2 OF 4 | | |
| DRAFT WHERE APPLICABLE MUST REMAIN WITHIN DIMENSIONS | | THIS DRAWING CONTAINS INFORMATION THAT IS PROPRIETARY TO MOLEX INCORPORATED AND SHOULD NOT BE USED WITHOUT WRITTEN PERMISSION | | | | | |

10 9 8 7 6 5 4 3 2 1



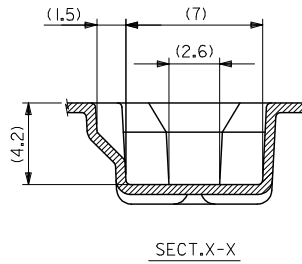
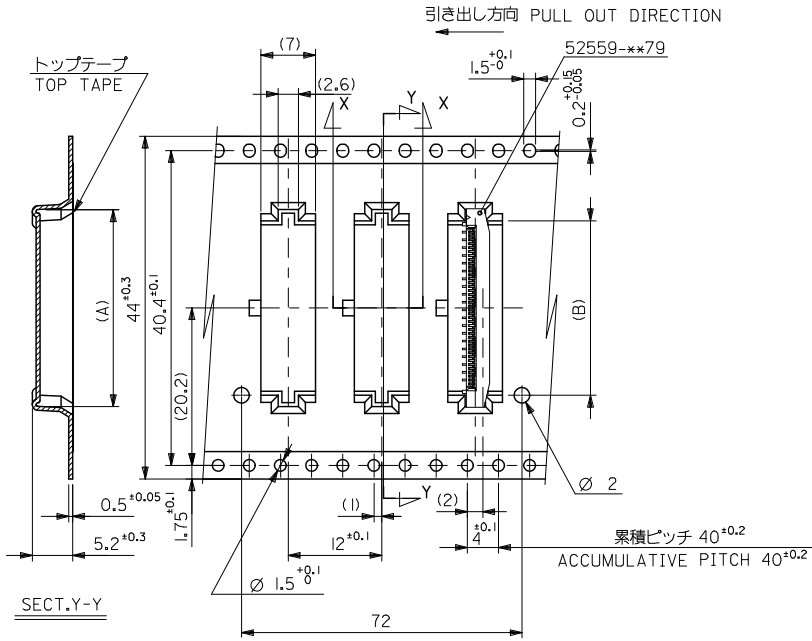
| | | | | | | | |
|--------------------------------|------|------|------|------|------------|--------------|-------------|
| 32 | 37.4 | 33.4 | 18.4 | 21.3 | 52559-3252 | 32 | |
| | | | 17.4 | 20.3 | 52559-3052 | 30 | |
| | | | 16.4 | 19.3 | 52559-2852 | 28 | |
| | | | 15.9 | 18.8 | 52559-2752 | 27 | |
| | | | 15.4 | 18.3 | 52559-2652 | 26 | |
| キャリアテープ幅 CARRIER TAPE WIDTH | | D | C | (B) | (A) | MATERIAL NO. | CIRCUIT NO. |

| | | | | | | | |
|---|--|-------|----------------------------|-------------------|--|------------------------|------------------------|
| REVISED ELC NO: J2009-2061 DRAWN BY: CHYKOHMATSUOTO CHECKED BY: APPR: NUKITA DATE: 2009/05/21 DATE: 2009/05/21 DATE: 2009/05/21 | GENERAL TOLERANCES (UNLESS SPECIFIED) | | DIMENSION STYLE MM ONLY | | SCALE --- | DESIGN UNITS METRIC | THIRD ANGLE PROJECTION |
| | 10 UNDER | ±0.2 | DRAWN BY MNABEI | DATE '04/07/13 | TITLE 0.5 FPC CONN ASSY ZIF FOR SMT EMBSTP PKG -LEAD FREE- MOLEX INCORPORATED DOCUMENT NO. SD-52559-049 SHEET NO. 3 OF 4 | | |
| | 10 OVER 30 UNDER | ±0.25 | CHECKED BY KTOJO | DATE '04/07/13 | | | |
| | 30 OVER | ±0.3 | APPROVED BY NUKITA | DATE '04/07/13 | | | |
| | ANGULAR ±3 ° | | MATERIAL NO. SEE TABLE | | | | |
| | DRAFT WHERE APPLICABLE MUST REMAIN WITHIN DIMENSIONS | | SIZE A3 | | THIS DRAWING CONTAINS INFORMATION THAT IS PROPRIETARY TO MOLEX INCORPORATED AND SHOULD NOT BE USED WITHOUT WRITTEN PERMISSION | | |
| DESCRIPTION | | REV | | | | | |

tb_frame_A3_J_ME_S
Rev. E 2006/04/15

9 8 7 6 5 4 3 2 1 EN-02JA(021)

10 9 8 7 6 5 4 3 2 1



44mm幅キャリアテープ
44mm WIDTH CARRIER TAPE

| | | | | | | |
|--------------------------------|------|------|------|------|--------------|-------------|
| 44 | 49.4 | 45.4 | 22.4 | 25.3 | 52559-4052 | 40 |
| キャリアテープ幅 CARRIER TAPE WIDTH | D | C | (B) | (A) | MATERIAL NO. | CIRCUIT NO. |

| | | | | | | | |
|--|---------------------------------------|-------|--|-------------------|---|------------------------|------------------------|
| REVISED ELC NO: J2009-2061 DRAWN BY: IWANIKON CHECKED BY: CHYKHMATSUMOTO APPROVED BY: APPR:NUKITA G 2009/05/20 2009/05/21 2009/05/21 | GENERAL TOLERANCES (UNLESS SPECIFIED) | | DIMENSION STYLE MM ONLY | | SCALE --- | DESIGN UNITS METRIC | THIRD ANGLE PROJECTION |
| | 10 UNDER | ±0.2 | DRAWN BY MNABEI | DATE '04/07/13 | TITLE 0.5 FPC CONN ASSY ZIF FOR SMT EMBSTP PKG -LEAD FREE- | | |
| | 10 OVER 30 UNDER | ±0.25 | CHECKED BY KT0JO | DATE '04/07/13 | APPROVED BY NUKITA | | |
| | 30 OVER | ±0.3 | APPROVED BY NUKITA | DATE '04/07/13 | MATERIAL NO. SEE TABLE | | |
| | ANGULAR | ±3 ° | DRAFT WHERE APPLICABLE MUST REMAIN WITHIN DIMENSIONS | | DOCUMENT NO. SD-52559-049 | | SHEET NO. 4 OF 4 |