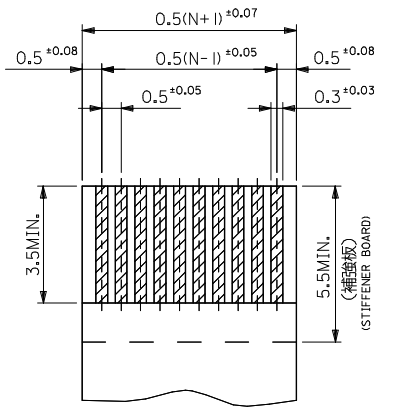
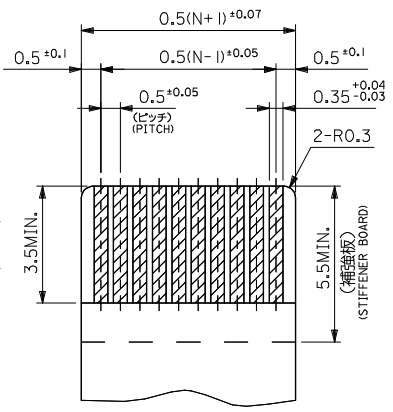
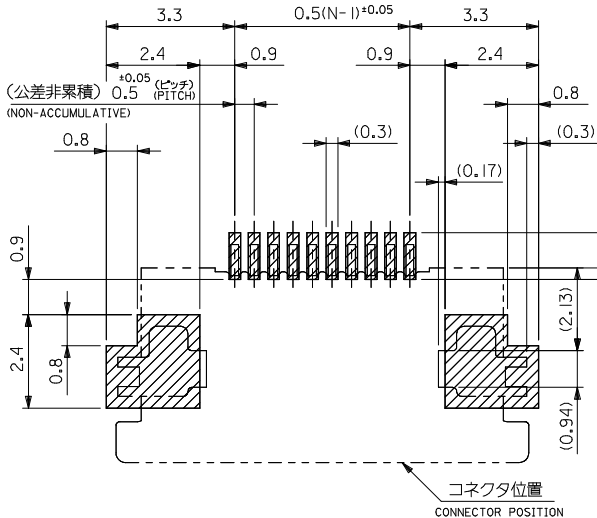


30.5	29.3	25.65	24.5	54104-5096	54104-5039	50
28.5	27.3	23.65	22.5	54104-4696	54104-4639	46
28.0	26.8	23.15	22.0	54104-4596	54104-4539	45
27.0	25.8	22.15	21.0	54104-4396	54104-4339	43
25.5	24.3	20.65	19.5	54104-4096	54104-4039	40
24.5	23.3	19.65	18.5	54104-3896	54104-3839	38
23.5	22.3	18.65	17.5	54104-3696	54104-3639	36
23.0	21.8	18.15	17.0	54104-3596	54104-3539	35
22.5	21.3	17.65	16.5	54104-3496	54104-3439	34
22.0	20.8	17.15	16.0	54104-3396	54104-3339	33
21.5	20.3	16.65	15.5	54104-3296	54104-3239	32
20.5	19.3	15.65	14.5	54104-3096	54104-3039	30
				EMBOSSED TAPE	MATERIAL NO.	CIRCUIT
				ORDER No. オ-ダ-番号		

REVISED EC NO: J2008-4308 DRAWN BY: 2008/06/27 CHYKD:THARYAMA APPR:NIKIITA 2008/06/30	GENERAL TOLERANCES (UNLESS SPECIFIED)		DIMENSION STYLE MM ONLY		SCALE ---	DESIGN UNITS METRIC	THIRD ANGLE PROJECTION
	10 UNDER	±0.2	DRAWN BY Y. SAKIYAMA	DATE '04/01/22	TITLE 0.5 FPC CONN ZIF HSG ASSY FOR SMT RA UPR CONT -LEAD FREE-		
	10 OVER 30 UNDER	±0.25	CHECKED BY M. SASAO	DATE '04/01/22	MOLEX INCORPORATED		
	30 OVER	±0.3	APPROVED BY M. SASAO	DATE '04/01/22	DOCUMENT NO. SD-54104-071		
ANGULAR ±3°		DRAFT WHERE APPLICABLE MUST REMAIN WITHIN DIMENSIONS		MATERIAL NO. SEE TABLE	SHEET NO. 1 OF 2		



適用 FPC 推奨寸法
APPLICABLE FPC
RECOMMENDED DIMENSION
(仕上がり厚さ: 0.3±0.03)
(THICKNESS: 0.3±0.03)

適用 FFC 推奨寸法
APPLICABLE FFC
RECOMMENDED DIMENSION
(仕上がり厚さ: 0.3±0.03)
(THICKNESS: 0.3±0.03)

参考基板レイアウト
RECOMMENDED P.C. BOARD
PATTERN DIMENSION (REF.)
(マウント面)
(MOUNTING SIDE)

注記 NOTES

- I. 使用材料 MATERIAL
- ハウジング HOUSING : 46ナイロン, UL94V-0 46NYLON
 - アクチュエータ ACTUATOR : PPS, UL94V-0
 - ターミナル TERMINAL : リン青銅, ニッケル下地 鍍ビスマスマッキ (t=0.2) PHOS-BRONZE, TIN-BISMUTH OVER NICKEL PLATING.(t=0.2)
 - 金具 FITTING NAIL : リン青銅, ニッケル下地 鍍メッキ (t=0.2) PHOS-BRONZE, TIN OVER NICKEL PLATING.(t=0.2)

2. エンボステープ梱包時は、アクチュエータがロックした状態とする。
IN THE PACKAGE, ACTUATOR OF PART NO.54104-***39 SHOULD BE LOCKED.
- △ソルダータール半田付け面のズレ量、及び金具半田付け面のズレ量は、基準面 H に対し上方向 0.1 MAX.、下方向 0.15 MAX. とし、相互のバラツキ量は、0.1 MAX. とする。
MISALIGNMENT OF SOLDER TAILS AND FITTING NAILS FROM UPPER DIRECTION: 0.1 MAX., LOWER DIRECTION: 0.15 MAX. OFFSET BETWEEN UPPER AND LOWER 0.1 MAX.
- △偶数極に適用。
APPLY FOR EVEN CIRCUIT.
- △パターンはくり止め用具
FITTING NAIL FOR PREVENTION OF PEELING OF P.C.B. PATTERN.
6. 本製品は 54104-***37 の鉛フリー品である。
THIS PRODUCT IS LEAD FREE OF 54104-***37.

FPC/FFCについて

打抜き方向は導体側から補強板側を推奨いたします。
導体側については軟銅箔35マイクロメーターまたは50マイクロメーターメッキ厚 3~9マイクロメーター鍍または半田メッキ (電気メッキ)
RECOMMENDED PUNCHER DIRECTION: FROM CONDUCTOR SIDE TO STIFFENER BOARD SIDE.
RECOMMENDED CONDUCTOR SPEC.: THICKNESS OF SOFT COPPER FOIL: 35 micrometer or 50 micrometer TIN OR SOLDER PLATING: 3~9 micrometer (ELECTRICAL PLATING)

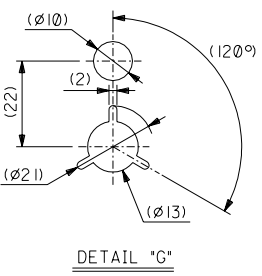
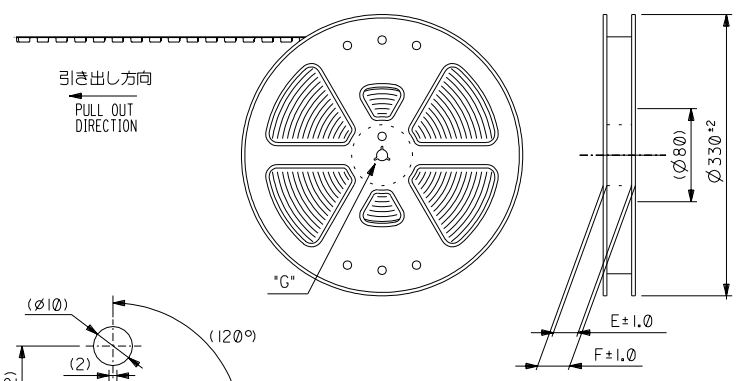
FPCについて

補強フィルム材質はポリイミドを推奨致します。
接着剤は熱硬化接着剤を推奨致します。
RECOMMENDED MATERIAL: STIFFENER FILM: POLYIMIDE BONDING AGENT: THERMOSETTING BONDING AGENT

REVISED EC NO: J2008-4308 DRAWN BY: HARUYAMA CHKD: HARUYAMA APPROV: NIKITA	DESCRIPTION 2008/06/27 2008/06/30 2008/06/30	GENERAL TOLERANCES (UNLESS SPECIFIED)		DIMENSION STYLE MM ONLY		SCALE	DESIGN UNITS	MODEL NO.			
		10 UNDER	±0.2	DRAWN BY: Y. SAKIYAMA		DATE: '04/01/22	---	METRIC	54104-***39		
		10 OVER 30 UNDER	±0.25	CHECKED BY: M. SASAO		DATE: '04/01/22			THIRD ANGLE PROJECTION		
		30 OVER	±0.3	APPROVED BY: M. SASAO		DATE: '04/01/22	TITLE 0.5 FPC CONN ZIF HSG ASSY FOR SMT RA UPR CONT -LEAD FREE-				
A		ANGULAR	±3°	MATERIAL NO. SEE SHEET 1		DOCUMENT NO. SD-54104-071		MOLEX INCORPORATED			
DRAFT WHERE APPLICABLE MUST REMAIN WITHIN DIMENSIONS			SIZE A3 THIS DRAWING CONTAINS INFORMATION THAT IS PROPRIETARY TO MOLEX INCORPORATED AND SHOULD NOT BE USED WITHOUT WRITTEN PERMISSION							SHEET NO. 2 OF 2	

DWG. NO. SD-54104-072

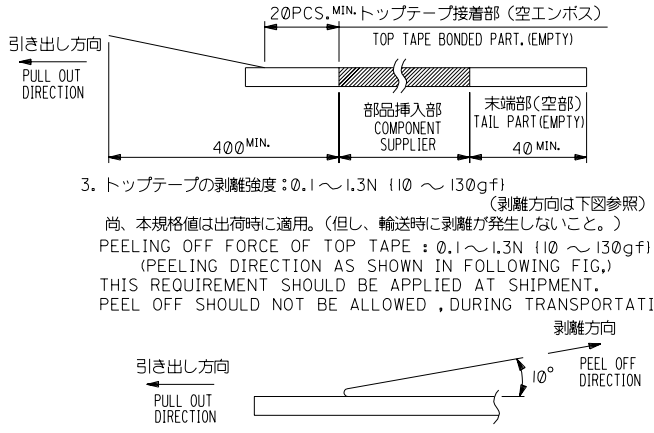
8 7 6 5 4 3 2 1



4. 材料(MATERIAL)
 キャリアテープ(CARRIER TAPE) : ポリプロピレン(POLYPROPYLENE)
 トップテープ(TOPTAPE) : PET , PE , PEF
 リール(REEL) : ポリスチレン(PS) <リサイクル材を含む>
 POLYSTYRENE (PS) <RECYCLE MATERIAL CONTAINED>
5. 本製品は 54104-**-92 の鉛フリー品である。
 THIS PRODUCT IS LEAD FREE OF 54104-**-92.

NOTES

- 梱包数量 : 1500個/リール
 NUMBER OF CONNECTORS : 1500PCS/REEL
- リードテープ長さ LEAD TAPE LENGTH
 20PCS. MIN. トップテープ接着部 (空エンボス)
 TOP TAPE BONDED PART. (EMPTY)
 部品挿入部 COMPONENT SUPPLIER
 末端部(空部) TAIL PART (EMPTY)
 40MIN.
- トップテープの剥離強度 : 0.1 ~ 1.3N (10 ~ 130gf)
 (剥離方向は下図参照)
 尚、本規格値は出荷時に適用。(但し、輸送時に剥離が発生しないこと。)
 PEELING OFF FORCE OF TOP TAPE : 0.1 ~ 1.3N (10 ~ 130gf)
 (PEELING DIRECTION AS SHOWN IN FOLLOWING FIG.)
 THIS REQUIREMENT SHOULD BE APPLIED AT SHIPMENT.
 PEEL OFF SHOULD NOT BE ALLOWED , DURING TRANSPORTATION.



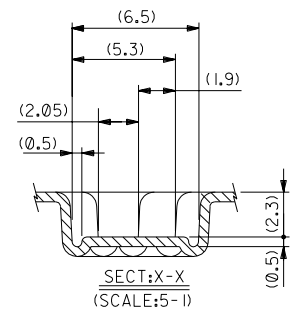
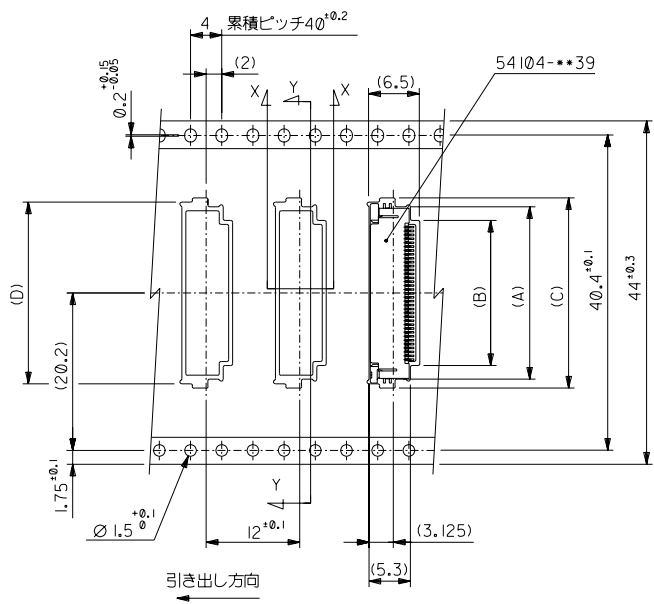
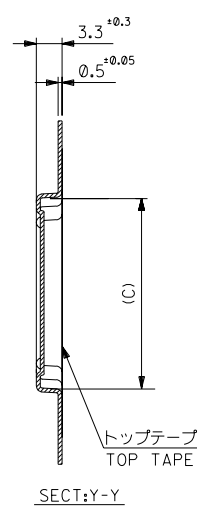
44	49.4	45.4	30.8	31.9	26.1	29.6	54104-5096	50	
			28.8	29.9	24.1	27.6	-4696	46	
			28.3	29.4	23.6	27.1	-4596	45	
			27.3	28.4	22.6	26.1	-4396	43	
			25.8	26.9	21.1	24.6	-4096	40	
			24.8	25.9	20.1	23.6	-3896	38	
			23.8	24.9	19.1	22.6	-3696	36	
			23.3	24.4	18.6	22.1	-3596	35	
			22.8	23.9	18.1	21.6	-3496	34	
			22.3	23.4	17.6	21.1	-3396	33	
21.8	22.9	17.1	20.6	-3296	32				
20.8	21.9	16.1	19.6	54104-3096	30				
キャリアテープ幅 CARRIER TAPE WIDTH		F	E	D	C	B	A	MATERIAL NO.	CIRCUIT

DO NOT SCALE DRAWING

EC NO. DRWN: CHK: APPR:	EC NO. DRWN: CHK: APPR:	EC NO. DRWN: CHK: APPR:	REVISED 04/04/21 EC NO. J2004-3918 DRWN: Y.WADA CHK: M.SASAO APPR: M.SASAO	REVISED 04/01/22 EC NO. J2004-2032 DRWN: Y.SAKIYAMA CHK: M.SASAO APPR: M.SASAO	MATERIAL 材料 注記参照 SEE NOTES	GENERAL TOLERANCES: (UNLESS SPECIFIED) — 一般公差	SCALE —	MODEL NO. DESIGN UNITS 54104-**-96 mm INCH	DIMENSIONS: mm INCH mm ONLY	SHT REV
					FINISH 仕上げ —	10 UNDER 未満 +0.2	DRAWN BY & DATE Y.SAKIYAMA 04/01/22	THIRD ANGLE PROJECTION	TITLE: Embstp Pkg for 0.5 FPC Conn Zif Hsg Assy -LEAD FREE-	REVISE ON CAD ONLY
					WIRE RANGE 適用電線範囲 —	10 OVER 以上 30 UNDER 未満 +0.25	CHECKED BY & DATE M.SASAO 04/01/22			
					INS. RANGE 被覆外径 —	30 OVER 以上 +0.3	APPROVED BY & DATE M.SASAO 04/01/22			
						ANGLE 角度 +3°	CAD FILENAME SD-54104-072.S01	MATERIAL NO. SEE CHART	DRAWING NO. SD-54104-072	SHEET NO. 1 OF 2
							THIS DRAWING CONTAINS INFORMATION THAT IS PROPRIETARY TO MOLEX INCORPORATED AND SHOULD NOT BE USED WITHOUT WRITTEN PERMISSION.			SIZE B

EN-02J(097) MXJ-54

DWG. NO. SD-54104-072



DO NOT SCALE DRAWING	EC NO.	REVISED '04/04/21	MATERIAL	GENERAL TOLERANCES:	SCALE	MODEL NO.	54104-39	DIMENSIONS:	SHT	REV
	DRWN:	EC NO. J2004-3918	SHEET 1 OF 2 参照	(UNLESS SPECIFIED)	—	DESIGN UNITS	54104-39	mm <input type="checkbox"/> INCH <input type="checkbox"/> mm ONLY <input checked="" type="checkbox"/>		
	CHK:	DRWN: Y.WADA	REFER TO SHEET 1 OF 2			<input checked="" type="checkbox"/> mm <input type="checkbox"/> INCH		THIRD ANGLE PROJECTION		
	APPR:	CHK: M.SASAO		FINISH	10 UNDER 未滿 +0.2	DRAWN BY & DATE				
	APPR: M.SASAO	RELEASED '04/01/22		10 OVER 30 UNDER 未滿 +0.25	Y.SAKIYAMA '04/01/22	TITLE:	Embstp Pkg for 0.5 FPC Conn Zif Hsg Assy -LEAD FREE-			
		EC NO. J2004-2032	DESCRIPTION	30 OVER 以上 +0.3	M.SASAO '04/01/22	MATERIAL NO.	MOLEX INCORPORATED			
		DRWN: Y.SAKIYAMA		WIRE RANGE 適用電線範囲	APPROVED BY & DATE	DRAWING NO.	SD-54104-072			
		CHK: M.SASAO		INS. RANGE 被覆外径	M.SASAO '04/01/22	SHEET NO.	2 OF 2			
		APPR: M.SASAO			CAD FILENAME	SIZE	B			
					SD-54104-072.S02	THIS DRAWING CONTAINS INFORMATION THAT IS PROPRIETARY TO MOLEX INCORPORATED AND SHOULD NOT BE USED WITHOUT WRITTEN PERMISSION.				
					ANGLE 角度	EN-02J(097) MXJ-54				