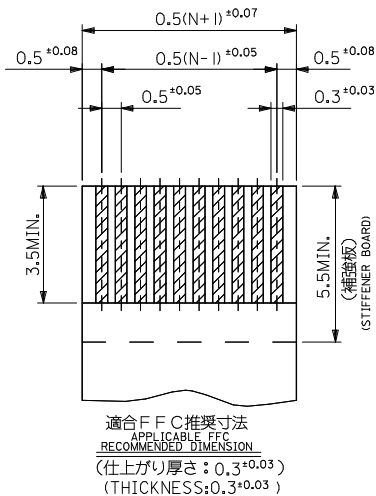
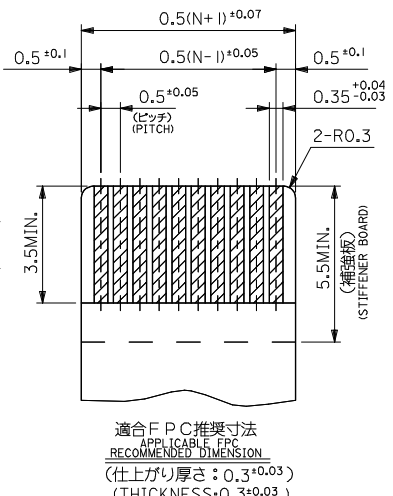
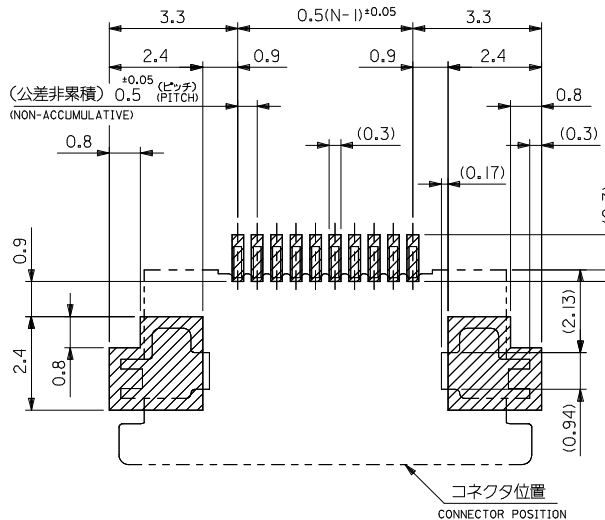


30.5	29.3	25.65	24.5	54104-5096	54104-5039	50
28.5	27.3	23.65	22.5	54104-4696	54104-4639	46
28.0	26.8	23.15	22.0	54104-4596	54104-4539	45
27.0	25.8	22.15	21.0	54104-4396	54104-4339	43
25.5	24.3	20.65	19.5	54104-4096	54104-4039	40
24.5	23.3	19.65	18.5	54104-3896	54104-3839	38
23.5	22.3	18.65	17.5	54104-3696	54104-3639	36
23.0	21.8	18.15	17.0	54104-3596	54104-3539	35
22.5	21.3	17.65	16.5	54104-3496	54104-3439	34
22.0	20.8	17.15	16.0	54104-3396	54104-3339	33
21.5	20.3	16.65	15.5	54104-3296	54104-3239	32
20.5	19.3	15.65	14.5	54104-3096	54104-3039	30
				EMBOSSED TAPE	MATERIAL NO.	CIRCUIT
				ORDER No. オ-ダー番号		

REVISED EC NO: J2008-4308 2008/06/27 DRAWN BY: Y. SAKIYAMA 2008/06/30 CHECKED BY: M. SASAO 2008/06/30 APPR: T. HIRAYAMA 2008/06/30 APPROV: T. HIRAYAMA 2008/06/30	GENERAL TOLERANCES (UNLESS SPECIFIED)		DIMENSION STYLE MM ONLY		SCALE ---	DESIGN UNITS METRIC	THIRD ANGLE PROJECTION
	10 UNDER	±0.2	DRAWN BY Y. SAKIYAMA		DATE '04/01/22		TITLE 0.5 FPC CONN ZIF HSG ASSY FOR SMT RA UPR CONT -LEAD FREE- MOLEX INCORPORATED SD-54104-071
	10 OVER 30 UNDER	±0.25	CHECKED BY M. SASAO		DATE '04/01/22		
	30 OVER	±0.3	APPROVED BY M. SASAO		DATE '04/01/22		
ANGULAR ±3°		DRAFT WHERE APPLICABLE MUST REMAIN WITHIN DIMENSIONS		MATERIAL NO. SEE TABLE		DOCUMENT NO. SD-54104-071	SHEET NO. 1 OF 2



注記 NOTES

I. 使用材料 MATERIAL

- ハウジング : 46ナイロン, UL94V-0
HOUSING 46NYLON
- アクチュエータ : PPS, UL94V-0
ACTUATOR
- ターミナル : リン青銅, ニッケル下地 鍍ビスマスマッキ (t=0.2)
TERMINAL PHOS-BRONZE, TIN-BISMUTH OVER NICKEL PLATING. (t=0.2)
- 金具 : リン青銅, ニッケル下地 鍍メッキ (t=0.2)
FITTING NAIL PHOS-BRONZE, TIN OVER NICKEL PLATING. (t=0.2)

- エンボステープ梱包時は、アクチュエータがロックした状態とする。
IN THE PACKAGE, ACTUATOR OF PART NO. 54104-***39 SHOULD BE LOCKED.
- △ソルダータール半田付け面のズレ量、及び金具半田付け面のズレ量は、基準面 H に対し上方向 0.1 MAX.、下方向 0.15 MAX. とし、相互のバラツキ量は、0.1 MAX. とする。
MISALIGNMENT OF SOLDER TAILS AND FITTING NAILS FROM UPPER DIRECTION: 0.1 MAX., LOWER DIRECTION: 0.15 MAX. OFFSET BETWEEN UPPER AND LOWER 0.1 MAX. △偶数極に適用。
APPLY FOR EVEN CIRCUIT.
- △パターンはくり止め用具
FITTING NAIL FOR PREVENTION OF PEELING OF P.C.B. PATTERN.
6. 本製品は 54104-***37 の鉛フリー品である。
THIS PRODUCT IS LEAD FREE OF 54104-***37.

FPC/FFCについて

打抜き方向は導体側から補強板側を推奨いたします。
導体側については軟銅箔35マイクロメーターまたは50マイクロメーターメッキ厚 3~9マイクロメーター鍍または半田メッキ (電気メッキ)
RECOMMENDED PUNCHER DIRECTION:
FROM CONDUCTOR SIDE TO STIFFENER BOARD SIDE.
RECOMMENDED CONDUCTOR SPEC.:
THICKNESS OF SOFT COPPER FOIL:
35 micrometer or 50 micrometer
TIN OR SOLDER PLATING:
3~9 micrometer (ELECTRICAL PLATING)

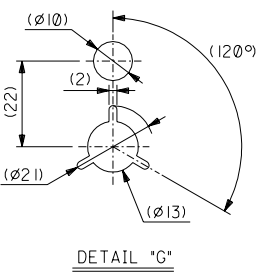
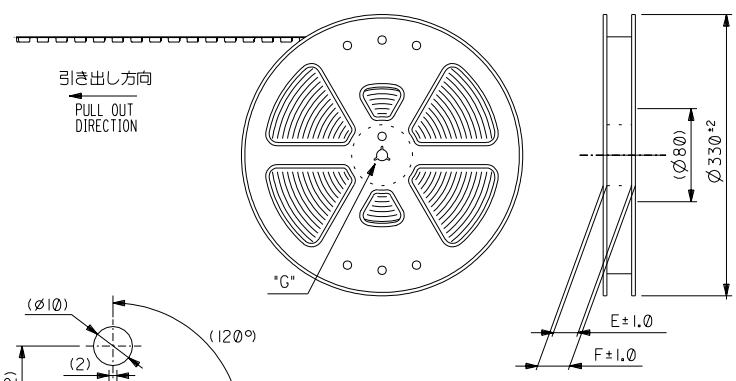
FPCについて

補強フィルム材質はポリイミドを推奨致します。
接着剤は熱硬化接着剤を推奨致します。
RECOMMENDED MATERIAL:
STIFFENER FILM: POLYIMIDE
BONDING AGENT: THERMOSETTING BONDING AGENT

REVISED EC NO: J2008-4308 DRAWN BY: HARUYAMA CHKD: HARUYAMA APPROVED BY: HARUYAMA A	DESCRIPTION 2008/06/27 2008/06/30 2008/06/30	GENERAL TOLERANCES (UNLESS SPECIFIED)		DIMENSION STYLE MM ONLY		SCALE	DESIGN UNITS	MODEL NO.
		10 UNDER	±0.2	DRAWN BY Y. SAKIYAMA		DATE '04/01/22	TITLE	54104-***39
		10 OVER 30 UNDER	±0.25	CHECKED BY M. SASAO		DATE '04/01/22	0.5 FPC CONN ZIF HSG ASSY FOR SMT RA UPR CONT -LEAD FREE-	
		30 OVER	±0.3	APPROVED BY M. SASAO		DATE '04/01/22	MOLEX INCORPORATED	
ANGULAR ±3°		DRAFT WHERE APPLICABLE MUST REMAIN WITHIN DIMENSIONS		MATERIAL NO. SEE SHEET 1		DOCUMENT NO. SD-54104-071	SHEET NO. 2 OF 2	

DWG. NO. SD-54104-072

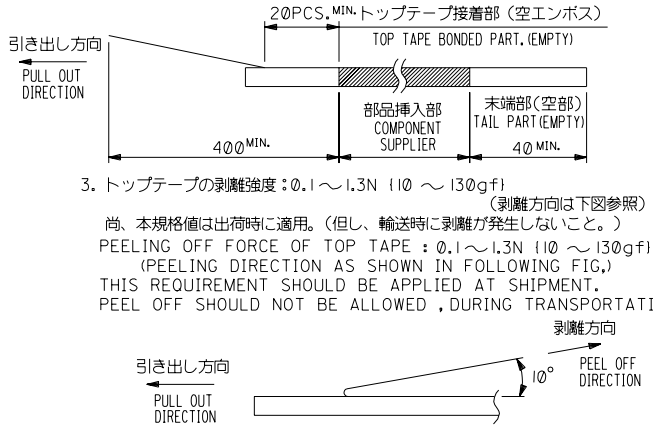
8 7 6 5 4 3 2 1



4. 材料(MATERIAL)
 キャリアテープ(CARRIER TAPE) : ポリプロピレン(POLYPROPYLENE)
 トップテープ(TOPTAPE) : PET , PE , PEF
 リール(REEL) : ポリスチレン(PS) <リサイクル材を含む>
 POLYSTYRENE (PS) <RECYCLE MATERIAL CONTAINED>
5. 本製品は 54104-**-92 の鉛フリー品である。
 THIS PRODUCT IS LEAD FREE OF 54104-**-92.

NOTES

- 梱包数量 : 1500個/リール
 NUMBER OF CONNECTORS : 1500PCS/REEL
- リードテープ長さ LEAD TAPE LENGTH
 20PCS. MIN. トップテープ接着部 (空エンボス)
 TOP TAPE BONDED PART. (EMPTY)
 部品挿入部 COMPONENT SUPPLIER
 末端部(空部) TAIL PART (EMPTY)
 40MIN. 40MIN.
- トップテープの剥離強度 : 0.1 ~ 1.3N (10 ~ 130gf)
 (剥離方向は下図参照)
 尚、本規格値は出荷時に適用。(但し、輸送時に剥離が発生しないこと。)
 PEELING OFF FORCE OF TOP TAPE : 0.1 ~ 1.3N (10 ~ 130gf)
 (PEELING DIRECTION AS SHOWN IN FOLLOWING FIG.)
 THIS REQUIREMENT SHOULD BE APPLIED AT SHIPMENT.
 PEEL OFF SHOULD NOT BE ALLOWED , DURING TRANSPORTATION.

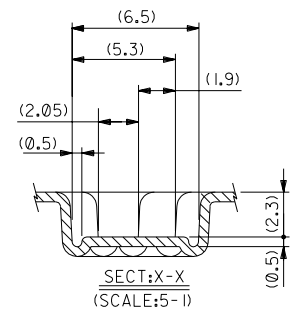
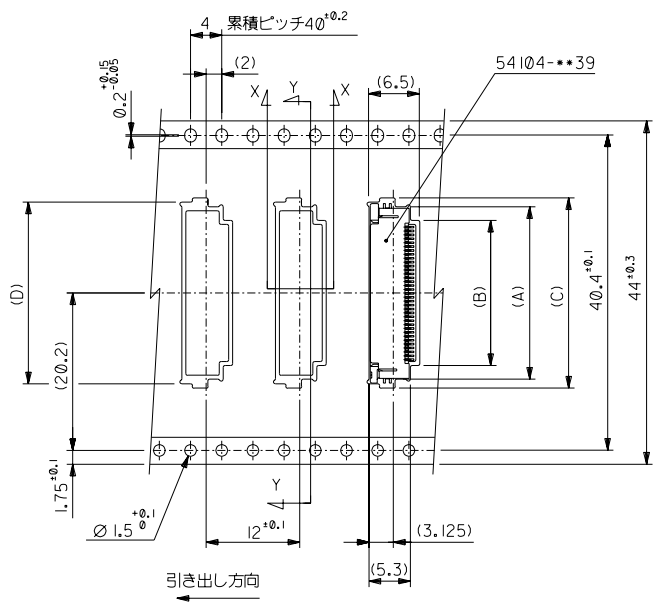
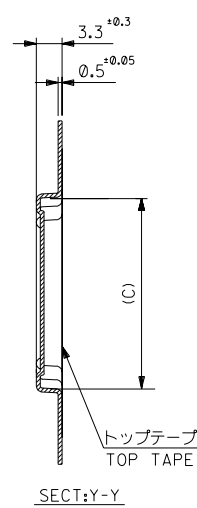


44	49.4	45.4	30.8	31.9	26.1	29.6	54104-5096	50	
			28.8	29.9	24.1	27.6	-4696	46	
			28.3	29.4	23.6	27.1	-4596	45	
			27.3	28.4	22.6	26.1	-4396	43	
			25.8	26.9	21.1	24.6	-4096	40	
			24.8	25.9	20.1	23.6	-3896	38	
			23.8	24.9	19.1	22.6	-3696	36	
			23.3	24.4	18.6	22.1	-3596	35	
			22.8	23.9	18.1	21.6	-3496	34	
			22.3	23.4	17.6	21.1	-3396	33	
21.8	22.9	17.1	20.6	-3296	32				
20.8	21.9	16.1	19.6	54104-3096	30				
キャリアテープ幅 CARRIER TAPE WIDTH		F	E	D	C	B	A	MATERIAL NO.	CIRCUIT

DO NOT SCALE DRAWING

EC NO. DRWN: CHK: APPR:	EC NO. DRWN: CHK: APPR:	EC NO. DRWN: CHK: APPR:	REVISED 04/04/21 EC NO. J2004-3918 DRWN: Y.WADA CHK: M.SASAO APPR: M.SASAO	REVISED 04/01/22 EC NO. J2004-2032 DRWN: Y.SAKIYAMA CHK: M.SASAO APPR: M.SASAO	MATERIAL 材料 注記参照 SEE NOTES	GENERAL TOLERANCES: (UNLESS SPECIFIED) — 一般公差	SCALE —	MODEL NO. DESIGN UNITS 54104-**-96 mm □ INCH	DIMENSIONS: mm □ INCH mm ONLY	SHT REVISE ON CAD ONLY
					FINISH 仕上げ —	10 UNDER 未満 +0.2	DRAWN BY & DATE Y.SAKIYAMA 04/01/22	THIRD ANGLE PROJECTION	TITLE: Embstp Pkg for 0.5 FPC Conn Zif Hsg Assy -LEAD FREE-	
					WIRE RANGE 適用電線範囲 —	10 OVER 以上 30 UNDER 未満 +0.25	CHECKED BY & DATE M.SASAO 04/01/22		MOLEX INCORPORATED	
					INS. RANGE 被覆外径 —	30 OVER 以上 +0.3	APPROVED BY & DATE M.SASAO 04/01/22			
						ANGLE 角度 +3°	CAD FILENAME SD-54104-072.S01	MATERIAL NO. SEE CHART	DRAWING NO. SD-54104-072	SHEET NO. 1 OF 2 SIZE B
							THIS DRAWING CONTAINS INFORMATION THAT IS PROPRIETARY TO MOLEX INCORPORATED AND SHOULD NOT BE USED WITHOUT WRITTEN PERMISSION.			EN-02J(097) MXJ-54

DWG. NO. SD-54104-072



DO NOT SCALE DRAWING

EC NO. DRWN: CHK: APPR:	EC NO. DRWN: CHK: APPR:	EC NO. DRWN: CHK: APPR:	REVISED '04/04/21 EC NO. J2004-3918 DRWN: Y.WADA CHK: M.SASAO APPR: M.SASAO	REVISED '04/01/22 EC NO. J2004-2032 DRWN: Y.SAKIYAMA CHK: M.SASAO APPR: M.SASAO	MATERIAL 材料 SHEET 1 OF 2 参照 REFER TO SHEET 1 OF 2	GENERAL TOLERANCES: (UNLESS SPECIFIED) 一般公差	SCALE —	MODEL NO. DESIGN UNITS 54104-396 mm INCH	DIMENSIONS: THIRD ANGLE PROJECTION mm INCH mm ONLY	SHT REVISE ON CAD ONLY	REV
			A	0	FINISH 仕上げ —	10 UNDER 未満 +0.2	DRAWN BY & DATE Y.SAKIYAMA '04/01/22	TITLE: Embstp Pkg for 0.5 FPC Conn Zif Hsg Assy -LEAD FREE-			
					WIRE RANGE 適用電線範囲 —	10 OVER 30 UNDER 以上 未満 +0.25	CHECKED BY & DATE M.SASAO '04/01/22	MOLEX INCORPORATED			
					INS. RANGE 被覆外径 —	30 OVER 以上 +0.3	APPROVED BY & DATE M.SASAO '04/01/22	CAD FILENAME SD-54104-072.S02	MATERIAL NO. SEE CHART	DRAWING NO. SD-54104-072	SHEET NO. 2 OF 2
						ANGLE 角度 +3°	THIS DRAWING CONTAINS INFORMATION THAT IS PROPRIETARY TO MOLEX INCORPORATED AND SHOULD NOT BE USED WITHOUT WRITTEN PERMISSION.				SIZE B

EN-02J(097) MXJ-54