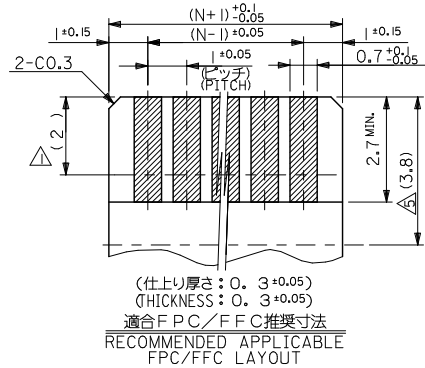
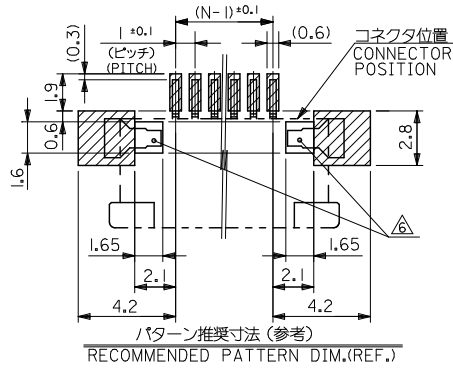


38.7	35.2	33	52207-3485	34
34.7	31.2	29	52207-3085	30
33.7	30.2	28	52207-2985	29
32.7	29.2	27	52207-2885	28
31.7	28.2	26	52207-2785	27
30.7	27.2	25	52207-2685	26
29.7	26.2	24	52207-2585	25
28.7	25.2	23	52207-2485	24
27.7	24.2	22	52207-2385	23
26.7	23.2	21	52207-2285	22
25.7	22.2	20	52207-2185	21
24.7	21.2	19	52207-2085	20
23.7	20.2	18	52207-1985	19
22.7	19.2	17	52207-1885	18
21.7	18.2	16	52207-1785	17
20.7	17.2	15	52207-1685	16
19.7	16.2	14	52207-1585	15
18.7	15.2	13	52207-1485	14
17.7	14.2	12	52207-1385	13
16.7	13.2	11	52207-1285	12
15.7	12.2	10	52207-1185	11
14.7	11.2	9	52207-1085	10
13.7	10.2	8	52207-0985	9
12.7	9.2	7	52207-0885	8
11.7	8.2	6	52207-0785	7
10.7	7.2	5	52207-0685	6
9.7	6.2	4	52207-0585	5
8.7	5.2	3	52207-0485	4
7.7	4.2	2	52207-0385	3
C	B	A	EMBOSSED PACKAGE オーダー番号 ORDER NO.	極数 CIRCUITS
CONNECTOR SERIES NO. 52207-***19				

REVISED EEC NO: J2011-0135 DRW: NAKAMURA 2010/07/26 CHK: KAKIHASHI 2010/07/27 APPR: MORIKAWA 2010/07/28 DESCRIPTION 1.0 PITCH FPC CONN.	GENERAL TOLERANCES (UNLESS SPECIFIED)		DIMENSION STYLE MM ONLY		TITLE 1.0 PITCH FPC CONN. ZIF SMT -LEAD FREE- MOLEX INCORPORATED DOCUMENT NO. SD-52207-060 SHEET NO. 1 OF 2
	10 UNDER	±0.2	DRAWN BY MINOMIY	DATE '04/02/06	
	10 OVER 30 UNDER	±0.25	CHECKED BY KTOJO	DATE '04/02/06	
	30 OVER	±0.3	APPROVED BY MSASAO	DATE '04/02/06	
ANGULAR ±3°		MATERIAL NO. SEE TABLE		THIRD ANGLE PROJECTION	
DRAFT WHERE APPLICABLE MUST REMAIN WITHIN DIMENSIONS		SIZE A3		THIS DRAWING CONTAINS INFORMATION THAT IS PROPRIETARY TO MOLEX INCORPORATED AND SHOULD NOT BE USED WITHOUT WRITTEN PERMISSION	

ib\_frame\_A3\_J\_ME\_S  
Rev. E 2006/04/15

EN-02JA(021)



注記 NOTES

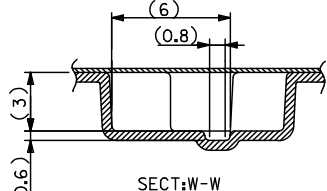
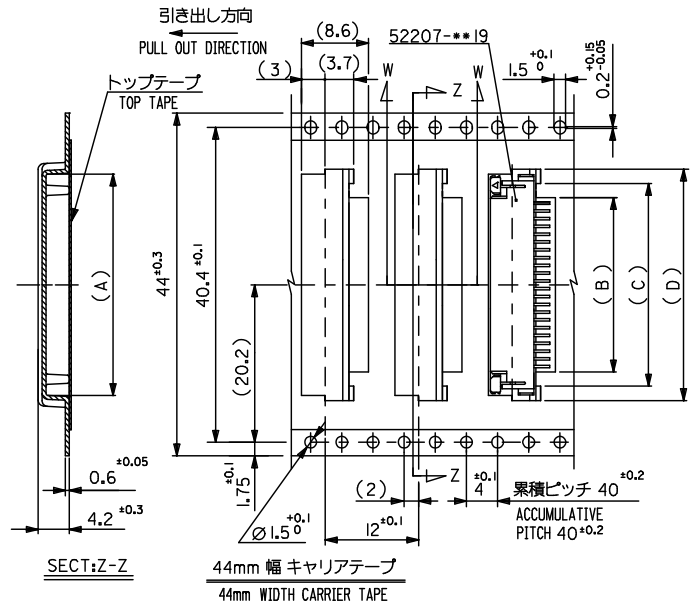
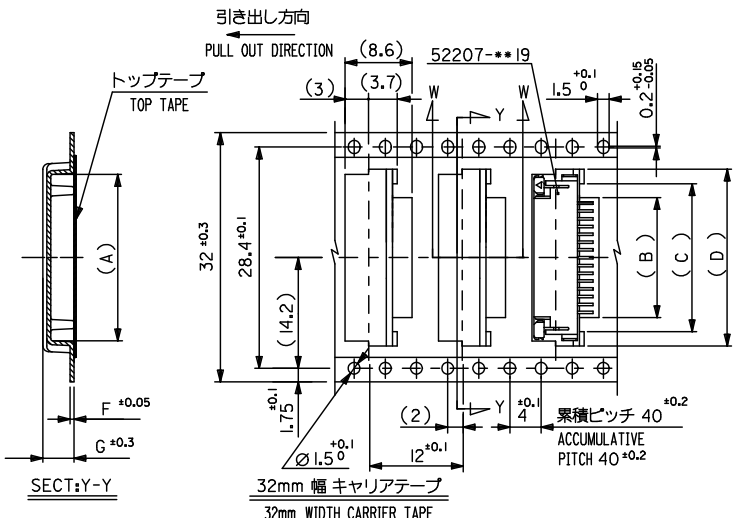
- △ 接点部までの嵌合長さ。  
LENGTH TO CONTACT POINT.
- 2. 使用材料 MATERIAL
  - パタン材 : 46ナイロン (耐熱性) , UL94V-0
  - HOUSING : 46NYLON, UL94V-0
  - アクチュエータ : PPS, UL94V-0
  - ターミナル : PPS, UL94V-0
  - 端子 : 11 青銅
  - TERMINAL : PHOSPHOR BRONZE
  - 金具 : 銅メッキ 1.0 マイクロメートル以上
  - FITTING NAIL : COPPER ALLOY
- △ パターンはくり止め用金具  
FITTING NAIL FOR PREVENTION OF PEELING OF P.C.B. PATTERN.
- 4. エンボスタープ梱包時は、アクチュエータがロックした状態とする。  
IN THE PACKAGE, ACTUATOR OF PART NO.52207-\*\*19 SHOULD BE LOCKED.
- △ ケーブル挿入深さ  
INSERTION DEPTH OF CABLE.
- △ パターン書き込み禁止エリア。  
NO FOOT PRINT AREA.
- 7. 本製品は 52207-\*\*17 の鉛フリー品である。  
THIS PRODUCT IS LEAD FREE OF 52207-\*\*17.
- 8. ELV 及び RoHS 適合品  
ELV AND RoHS COMPLIANT

FPCについて:  
打抜き方向は導体側から補強板を推奨致します。  
補強フィルム材質はポリイミドを推奨致します。  
接着剤は熱硬化接着剤を推奨致します。  
ABOUT FPC:  
RECOMMENDED PUNCHER DIRECTION : FROM CONDUCTOR SIDE TO STIFFENER BOARD SIDE.  
RECOMMENDED MATERIAL : STIFFENER FILM : POLYIMIDE  
BONDING AGENT : THERMOSETTING BONDING AGENT

SEE SHEET 1	GENERAL TOLERANCES (UNLESS SPECIFIED)		DIMENSION STYLE MM ONLY		SCALE ---	DESIGN UNITS METRIC	THIRD ANGLE PROJECTION
	10 UNDER	±0.2	DRAWN BY MINOMIY	DATE '04/02/06	TITLE 1.0 PITCH FPC CONN ZIF SMT -LEAD FREE-		
	10 OVER 30 UNDER	±0.25	CHECKED BY KT0JO	DATE '04/02/06			
	30 OVER	±0.3	APPROVED BY MSASAO	DATE '04/02/06	MOLEX INCORPORATED		
ANGULAR ±3°		MATERIAL NO. SEE SHEET 1 OF 2	DOCUMENT NO. SD-52207-060	SHEET NO. 2 OF 2			
DRAFT WHERE APPLICABLE MUST REMAIN WITHIN DIMENSIONS		SIZE 3 THIS DRAWING CONTAINS INFORMATION THAT IS PROPRIETARY TO MOLEX INCORPORATED AND SHOULD NOT BE USED WITHOUT WRITTEN PERMISSION					



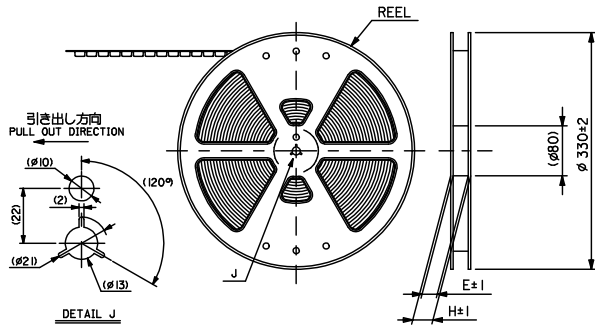
10 9 8 7 6 5 4 3 2 1



32	37.4	33.4	4.0	0.5	23.5	20	16.7	22.35	52207-1685	16	
			4.2	0.6	22.5	19	15.7	21.35	4	-1585	15
			4.2	0.6	21.5	18	14.7	20.35		-1485	14
			4.2	0.6	20.5	17	13.7	19.35		-1385	13
			4.2	0.6	19.5	16	12.7	18.35		52207-1285	12
キャリアテープ幅 CARRIER TAPE WIDTH	H	E	(G)	(F)	(D)	(C)	(B)	(A)	MATERIAL NO.	極数 CKT.	

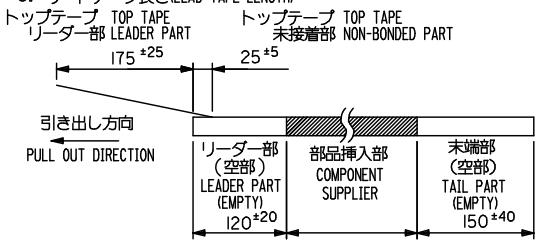
44	49.4	45.4	34.5	31	27.7	33.35	52207-2785	27	
			33.5	30	26.7	32.35	4	-2685	26
			32.5	29	25.7	31.35		-2585	25
			31.5	28	24.7	30.35		-2485	24
			30.5	27	23.7	29.35		-2385	23
			29.5	26	22.7	28.35		-2285	22
			28.5	25	21.7	27.35		-2185	21
			27.5	24	20.7	26.35		-2085	20
			26.5	23	19.7	25.35		-1985	19
			25.5	22	18.7	24.35		-1885	18
			24.5	21	17.7	23.35	52207-1785		17
キャリアテープ幅 CARRIER TAPE WIDTH	H	E	(D)	(C)	(B)	(A)	MATERIAL NO.	極数 CKT.	

REVISED IEC NO: J2009-2061 DRAWN BY CHYOKHMATSUMOTO 2009/05/21 APPR: NIKITA 2009/05/21 (REV)	GENERAL TOLERANCES (UNLESS SPECIFIED)		DIMENSION STYLE MM ONLY		SCALE ---	DESIGN UNITS METRIC	THIRD ANGLE PROJECTION	
	10 UNDER ±0.2 10 OVER 30 UNDER ±0.25 30 OVER ±0.3	DRAWN BY M. NINOMIYA 2004/02/06		DATE 2004/02/06		TITLE EMBOSSED TAPE PACKAGE FOR 52207-**19 -LEAD FREE-		
	ANGULAR ±3	CHECKED BY K. TOJO 2004/02/06		DATE 2004/02/06		MOLEX INCORPORATED		
	DRAFT WHERE APPLICABLE MUST REMAIN WITHIN DIMENSIONS	APPROVED BY M. SASAO 2004/02/06		DATE 2004/02/06		DOCUMENT NO. SD-52207-061		SHEET NO. 2 OF 3



**注記**

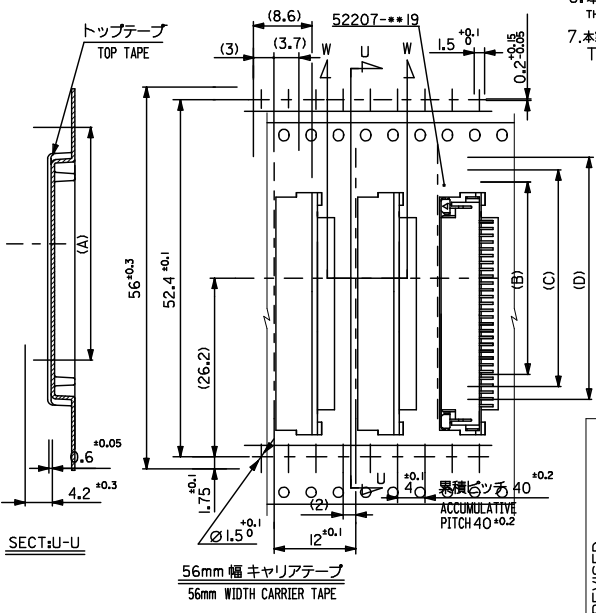
- 製品番号 52207-\*\*19 の梱包状態はアクチュエータがロックした状態とする。  
詳細寸法については図面 SD-52207-060 を参照下さい。  
IN THE PACKAGE, ACTUATOR OF PART NO. 52207-\*\*19 SHOULD BE LOCKED  
RE DETAILED DIMENSIONS, SEE SD-52207-060
- 梱包数量：1000個/リール  
NUMBER OF CONNECTORS : 1000PCS/REEL
- リードテープ長さ(LEAD TAPE LENGTH)



- トップテープの剥離強度：(剥離方向は下図参照)  
0.1N ~ 1.3N/10gf ~ 130gf MAX.尚、本規格値は、出荷時に適用。  
(但し、輸送時に剥離が発生しない事。)  
PEELING OFF FORCE OF TOP TAPE : 0.1N ~ 1.3N/10gf ~ 130gf MAX.  
(PEELING DIRECTION AS SHOWN IN FOLLOWING FIG.)  
THIS REQUIREMENT SHOULD BE APPLIED AT SHIPMENT. (PEEL OFF SHOULD NOT BE ALLOWED , DURING TRANSPORTATION)

- 材料 (MATERIAL)  
キャリアテープ (CARRIER TAPE) : ポリプロピレン (POLYPROPYLENE)  
トップテープ (TOP TAPE) : PET, PE, PEF  
リール (REEL) : ポリスチレン (PS) <リサイクル材を含む>  
POLYSTYRENE (PS) <RECYCLE MATERIAL CONTAINED>

- 本製品は 52207-\*\*90 の鉛フリー品である。  
THIS PRODUCT IS LEAD FREE OF 52207-\*\*90.
- 本製品は乾燥剤入り、ハイバリア梱包仕様である。  
THIS PRODUCT IS HIGH BARRIER PACKAGE WITH DESICCANT.



	56	61.4	57.4	41.5	38	34.7	40.35	52207-3485	34
				37.5	34	30.7	36.35	52207-3085	30
				36.5	33	29.7	35.35	52207-2985	29
				35.5	32	28.7	34.35	52207-2885	28
MODEL NO.	キャリアテープ幅 CARRIER TAPE WIDTH	H	E	(D)	(C)	(B)	(A)	MATERIAL NO.	極致 CKT.

REVISED LIC NO: J2009-2061 DRAWN BY CHYKOHMATSUOTO APPROVED BY APPRIKIKITA	DESCRIPTION 2009/05/20 2009/05/21 2009/05/21	GENERAL TOLERANCES (UNLESS SPECIFIED)		DIMENSION STYLE MM ONLY		SCALE ---	DESIGN UNITS METRIC	THIRD ANGLE PROJECTION	
		10 UNDER ±0.2	10 OVER 30 UNDER ±0.25	30 OVER ±0.3	ANGULAR ±3°	DRAFT WHERE APPLICABLE MUST REMAIN WITHIN DIMENSIONS	DRAWN BY M. NINOMIYA	DATE 2004/02/06	TITLE EMBOSSED TAPE PACKAGE FOR 52207-**19 -LEAD FREE-
B	REV	MATERIAL NO. SEE TABLE		MATERIAL NO. SEE TABLE		DOCUMENT NO. SD-52207-061		SHEET NO. 3 OF 3	