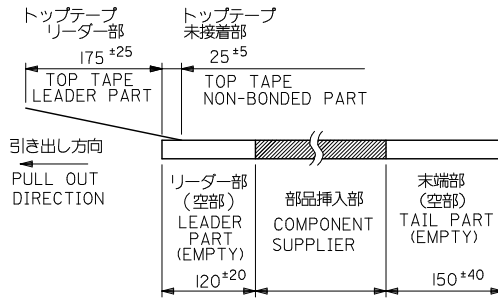
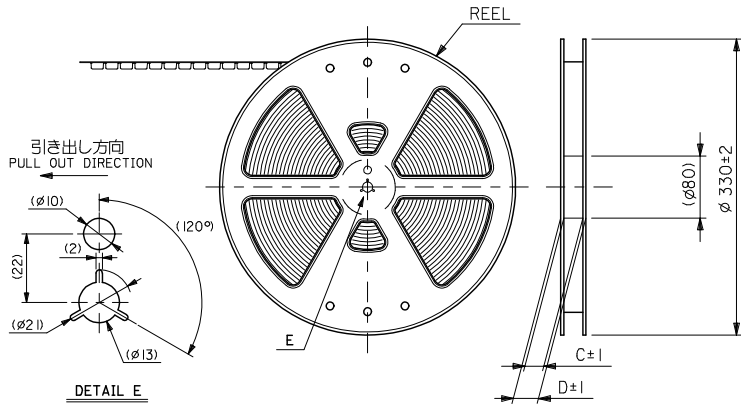


注記 NOTES

- 製品番号 52559-***19 の梱包状態はアクチュエータがロックした状態とする。
 詳細寸法については図面 SD-52559-***19 を参照下さい。
 IN THE PACKAGE,ACTUATOR OF PART NO.52559-***19 SHOULD BE LOCKED RE DETAILED DIMENSIONS,SEE SD-52559-***19
- 梱包数量：1000個/リール
 NUMBER OF CONNECTORS:1000PCS/REEL
- リードテープ長さ LEAD TAPE LENGTH



5. 材料 キャリアテープ：ポリプロピレン (PP)
 トップテープ：PET, PE, PEF
 リール：ポリスチレン (PS) <リサイクル材を含む>

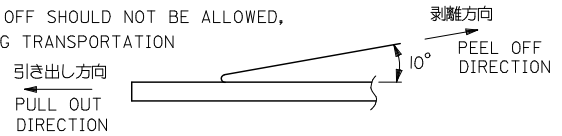
MATERIAL CARRIER TAPE:POLYPROPYLENE
 TOP TAPE:PET,PE,PEF
 REEL:POLYSTYRE(PS)
 <RECYCLE MATERIAL CONTAINED>

6. 本製品は 52559-***90 の鉛フリー品である。
 THIS PRODUCT IS LEAD FREE OF

7. 本製品は乾燥剤入り、ハイバリア梱包仕様である。
 THIS PRODUCT IS HIGH BARRIER PACKAGE WITH DESICCANT.

- トップテープの剥離強度：(剥離方向は下図参照)
 0.1N~1.3N {10gf~130gf}毎、本規格値は、出荷時に適用。
 (但し、輸送時に剥離が発生しない事。)

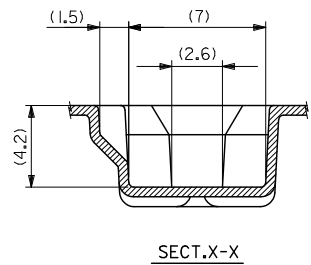
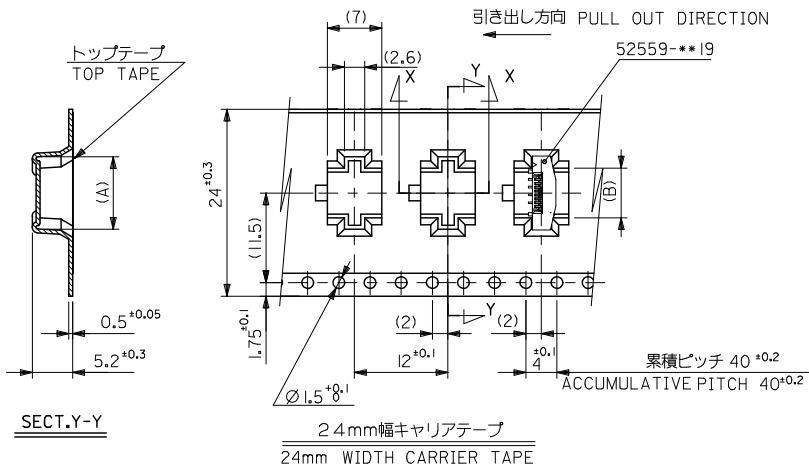
PEELING OFF FORCE OF TOP TAPE
 0.1~1.3N(10gf~130gf)(PEELING DIRECTION AS SHOWN IN FOLLOWING FIG.)
 THIS REQUIREMENT SHOULD BE APPLIED AT SHIPMENT
 PEEL OFF SHOULD NOT BE ALLOWED,
 DURING TRANSPORTATION



52559-***70	MODEL NO.
DESIGN UNITS	THIRD ANGLE PROJECTION

REVISED EC NO: J2009-2061 DRAWN BY DRYKOHMATSUMOTO 2009/05/21 APPROVED BY APPR:NIKIITA 2009/05/21	GENERAL TOLERANCES (UNLESS SPECIFIED)		DIMENSION STYLE MM ONLY		SCALE ---	DESIGN UNITS METRIC	THIRD ANGLE PROJECTION
	10 UNDER	±0.2	DRAWN BY HSHIMABUKURO	DATE '04/01/07	TITLE 0.5 FPC CONN ASSY ZIF SMT SMT EMBSTP PKG -LEAD FREE-		
	10 OVER 30 UNDER	±0.25	CHECKED BY KTOJO	DATE '04/01/07	MOLEX INCORPORATED		
	30 OVER	±0.3	APPROVED BY MSASAO	DATE '04/01/07	MATERIAL NO. SEE SHEET 2-4	DOCUMENT NO. SD-52559-029	SHEET NO. 1 OF 4
REV	DESCRIPTION	ANGULAR ±3 °	DRAFT WHERE APPLICABLE MUST REMAIN WITHIN DIMENSIONS		THIS DRAWING CONTAINS INFORMATION THAT IS PROPRIETARY TO MOLEX INCORPORATED AND SHOULD NOT BE USED WITHOUT WRITTEN PERMISSION		

10 9 8 7 6 5 4 3 2 1

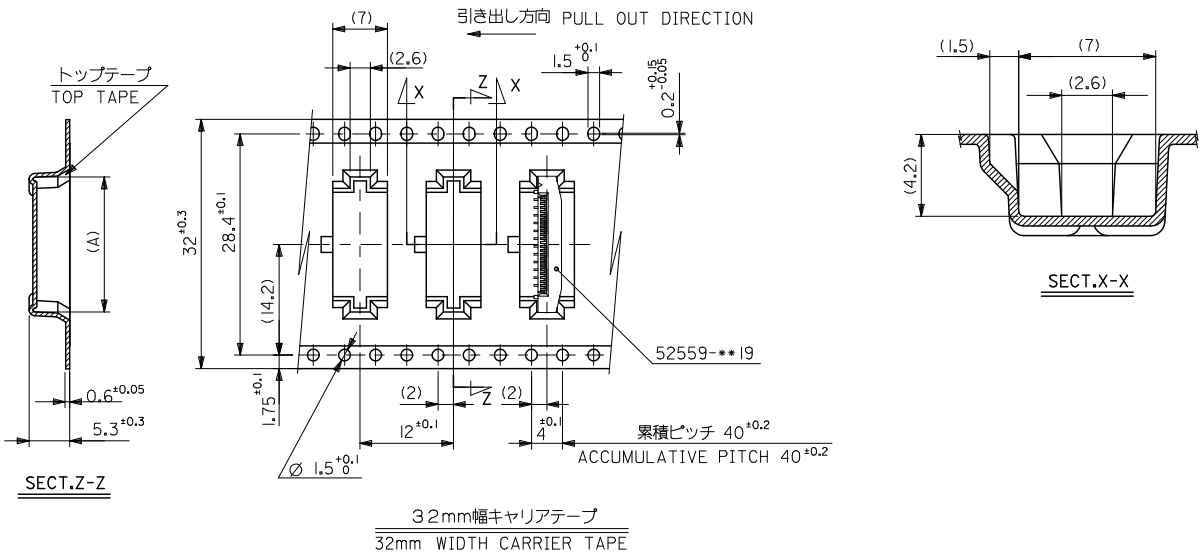


24	29.4	25.4	13.4	16.3	52559-2270	22
			12.4	15.3	52559-2070	20
			11.9	14.8	52559-1970	19
			11.4	14.3	52559-1870	18
			10.4	13.3	52559-1670	16
			9.9	12.8	52559-1570	15
			9.4	12.3	52559-1470	14
			8.9	11.8	52559-1370	13
			8.4	11.3	52559-1270	12
			7.9	10.8	52559-1170	11
6.4	9.3	52559-0870	8			
5.4	8.3	52559-0670	6			

MODEL No.52559-**70

REVISED IEC NO: J2009-2061 DRAWN BY: DRWNTKON CHYKOHMATSUOTO APPR: NIKITA 2009/05/20 2009/05/21 2009/05/21	GENERAL TOLERANCES (UNLESS SPECIFIED)		DIMENSION STYLE MM ONLY		SCALE ---	DESIGN UNITS METRIC	THIRD ANGLE PROJECTION
	10 UNDER	±0.2	DRAWN BY HSHIMABUKURO	DATE '04/01/07	TITLE 0.5 FPC CONN ASSY ZIF SMT SMT EMBSTP PKG -LEAD FREE-		
	10 OVER 30 UNDER	±0.25	CHECKED BY KTOJO	DATE '04/01/07	MOLEX INCORPORATED		
	30 OVER	±0.3	APPROVED BY MSASAO	DATE '04/01/07	MATERIAL NO. SEE TABLE	DOCUMENT NO. SD-52559-029	SHEET NO. 2 OF 4
ANGULAR ±3 °		DRAFT WHERE APPLICABLE MUST REMAIN WITHIN DIMENSIONS		THIS DRAWING CONTAINS INFORMATION THAT IS PROPRIETARY TO MOLEX INCORPORATED AND SHOULD NOT BE USED WITHOUT WRITTEN PERMISSION			

10 9 8 7 6 5 4 3 2 1



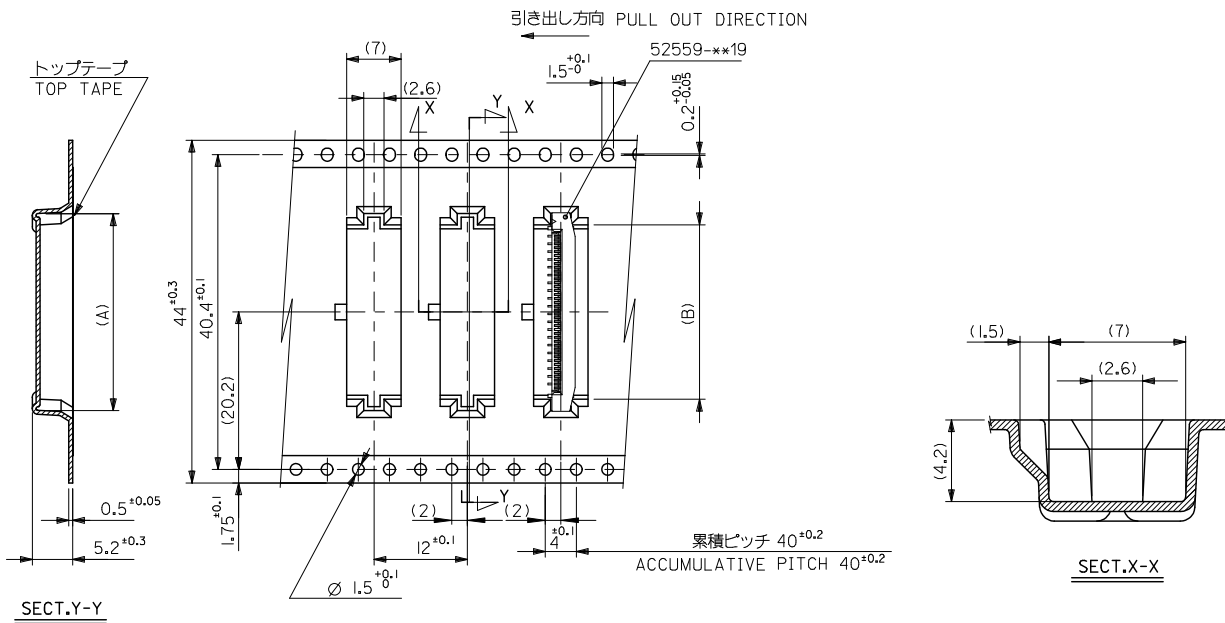
32mm幅キャリアテープ
32mm WIDTH CARRIER TAPE

32	37.4	33.4	18.9	21.8	52559-3370	33
			18.4	21.3	52559-3270	32
			17.4	20.3	52559-3070	30
			16.4	19.3	52559-2870	28
			15.4	18.3	52559-2670	26
			14.9	17.8	52559-2570	25
			14.4	17.3	52559-2470	24

MODEL No.52559-**70 キャリアテープ幅 D C (B) (A) MATERIAL. NO. 種別

REVISED IEC NO: J2009-2061 DRAWN BY: CHYKOHMATSUNO CHECKED BY: APPR:NIKIITA DATE: 2009/05/20 DATE: 2009/05/21 DATE: 2009/05/21	GENERAL TOLERANCES (UNLESS SPECIFIED)		DIMENSION STYLE		SCALE	DESIGN UNITS	THIRD ANGLE PROJECTION
	10 UNDER	±0.2	MM ONLY		---	METRIC	
	10 OVER 30 UNDER	±0.25	DRAWN BY: HSHIMABUKURO		DATE: '04/01/07	TITLE: 0.5 FPC CONN ASSY ZIF SMT SMT EMBSTP PKG -LEAD FREE-	
	30 OVER	±0.3	CHECKED BY: KTOJO		DATE: '04/01/07	MOLEX INCORPORATED	
	ANGULAR	±3 °	APPROVED BY: MSASAO		DATE: '04/01/07	DOCUMENT NO. SD-52559-029	
DRAFT WHERE APPLICABLE MUST REMAIN WITHIN DIMENSIONS		MATERIAL NO. SEE TABLE		SHEET NO. 3 OF 4		THIS DRAWING CONTAINS INFORMATION THAT IS PROPRIETARY TO MOLEX INCORPORATED AND SHOULD NOT BE USED WITHOUT WRITTEN PERMISSION	

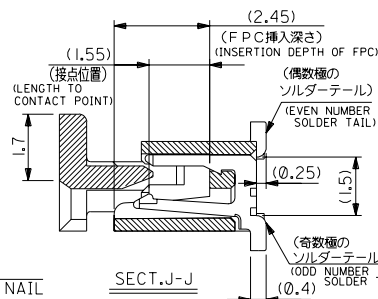
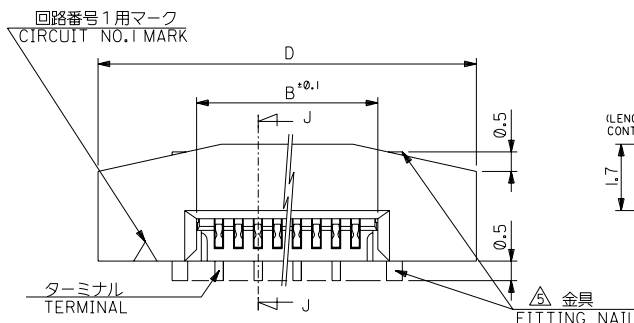
10 9 8 7 6 5 4 3 2 1



44mm幅キャリアテープ
44mm WIDTH CARRIER TAPE

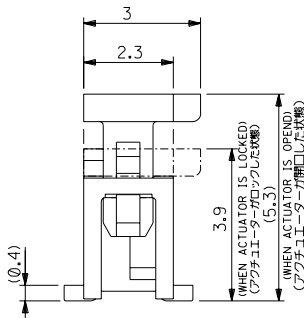
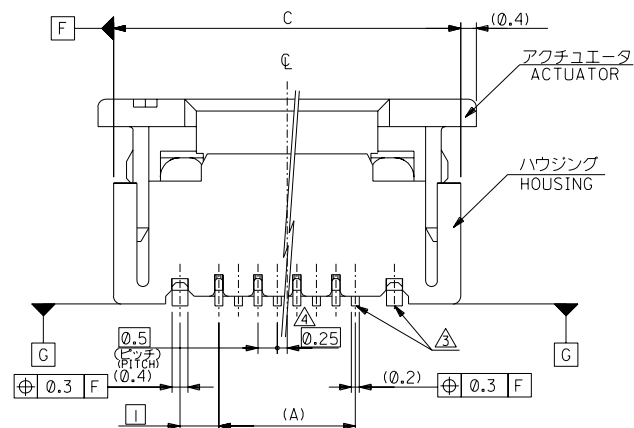
44	49.4	45.4	22.4	25.3	52559-4070	40
20.4	23.3	(B)	(A)	52559-3670	MATERIAL NO.	CIRCUIT NO.
DIMENSION STYLE		SCALE	DESIGN UNITS		THIRD ANGLE PROJECTION	
MM ONLY		---	METRIC			
DRAWN BY HSHIMABUKURO		DATE '04/01/07		TITLE		
CHECKED BY KT0JO		DATE '04/01/07		0.5 FPC CONN ASSY ZIF SMT ST EMBSTP PKG -LEAD FREE-		
APPROVED BY MSASAO		DATE '04/01/07		MOLEX INCORPORATED		
MATERIAL NO.		DOCUMENT NO.		SHEET NO.		
SEE TABLE		SD-52559-029		4 OF 4		
THIS DRAWING CONTAINS INFORMATION THAT IS PROPRIETARY TO MOLEX INCORPORATED AND SHOULD NOT BE USED WITHOUT WRITTEN PERMISSION						

REVISED	DESCRIPTION
1	GENERAL TOLERANCES (UNLESS SPECIFIED)
2	10 UNDER ±0.2
3	10 OVER 30 UNDER ±0.25
4	30 OVER ±0.3
5	ANGULAR ±3 °
6	DRAFT WHERE APPLICABLE MUST REMAIN WITHIN DIMENSIONS



注記 NOTES

- 使用材料: MATERIAL
 ハウジング : 46NYLON UL94V-0
 アクチュエータ : PPS UL94V-0
 ターミナル : リン青銅 (t=0.2)
 PHOS-BRO
 銅ビスマスメッキ 1.0マイクrometer以上
 TIN-BISMUTH 1.0 MICROMETER MINIMUM
 ニッケル下地 1.0マイクrometer以上
 NICKEL(UNDER PLATING) 1.0 MICROMETER MINIMUM
 金具 : リン青銅 (t=0.4)
 FITTING NAIL : PHOS-BRO
 銅メッキ 1.0マイクrometer以上
 TIN 1.0 MICROMETER MINIMUM
 ニッケル下地 1.0マイクrometer以上
 NICKEL(UNDER PLATING) 1.0 MICROMETER MINIMUM
- エンボスステップ梱包時は、アクチュエータがロックした状態とする。
 IN THE PACKAGE, ACTUATOR OF PART NO.52559-***9 SHOULD BE LOCKED.
 ソルダータール半田付け面のズレ量、及び金具半田付け面のズレ量は、基準面 [G] に対し上方向 0.05 MAX.、下方向 0.15 MAX.とする。
 MISALIGNMENT OF SOLDER TAILS AND FITTING NAILS FROM [G] UPPER DIRECTION: 0.05 MAX. . LOWER DIRECTION: 0.15 MAX.
- 偶数種に適用。
 APPLY FOR EVEN CIRCUIT.
 バスーンはくり止め用金具。
 FITTING NAIL FOR PREVENTION OF PEELING OF P.C.B. PATTERN.
 RO. 3は、FPCの導体部にかからないこと。
 RO.3 MUST NOT BE OVERLAPPED TO PATTERN OF FPC.
- 本製品は 52559-***17 の鉛フリー品である。
 THIS PRODUCT IS LEAD FREE OF 52559-***17



① ② ③ ④ ⑤ ⑥ ⑦ ⑧ 8 7 6 5 4 3 2 1			MODEL NO. 52559-***19 DIMENSIONS: <input type="checkbox"/> mm <input type="checkbox"/> INCH <input checked="" type="checkbox"/> mm ONLY SHT REV ②②②② ON CAD ONLY	
① ② ③ ④ ⑤ ⑥ ⑦ ⑧ 8 7 6 5 4 3 2 1			GENERAL TOLERANCES: (UNLESS SPECIFIED) 一般公差 10 UNDER 未満 +0.2 10 OVER 以上 30 UNDER 未満 +0.25 30 OVER 以上 +0.3 ANGLE 角度 ±3°	
① ② ③ ④ ⑤ ⑥ ⑦ ⑧ 8 7 6 5 4 3 2 1			SCALE 1:1 DESIGN UNITS <input checked="" type="checkbox"/> mm <input type="checkbox"/> INCH DRAWN BY & DATE H.SHIMABUKURO '04/01/07 CHECKED BY & DATE K.TOJO '04/01/07 APPROVED BY & DATE H.SALAO '04/01/07 CAD FILENAME SD-52559-045.S01 MATERIAL NO. SEE CHART DRAWING NO. SD-52559-045 SHEET NO. 1 OF 2 SIZE B EN-02J(097) MXJ-54	
① ② ③ ④ ⑤ ⑥ ⑦ ⑧ 8 7 6 5 4 3 2 1			TITLE: 0.5 FPC Conn. Assy ZIF. -LEAD FREE- MOLEX INCORPORATED	
① ② ③ ④ ⑤ ⑥ ⑦ ⑧ 8 7 6 5 4 3 2 1			MATERIAL 注記参照 SEE NOTES FINISH 仕上げ WIRE RANGE 適用電線範囲 INS. RANGE 被覆外径	
① ② ③ ④ ⑤ ⑥ ⑦ ⑧ 8 7 6 5 4 3 2 1			REVISED ① ② ③ ④ ⑤ ⑥ ⑦ ⑧ 8 7 6 5 4 3 2 1	

DWG. NO. SD-52559-045

F

D

V

C

B

DO NOT SCALE DRAWING

8 7 6 5 4 3 2 1

F

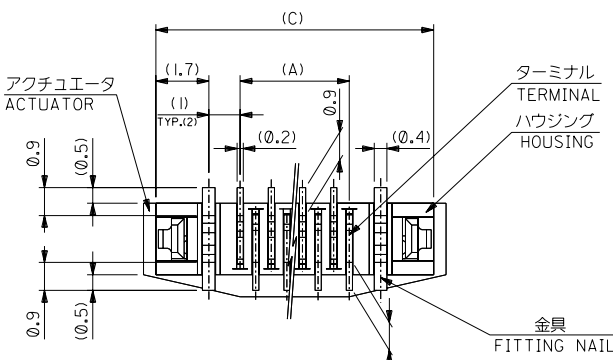
E

D

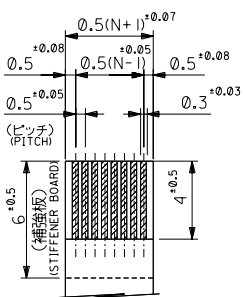
C

B

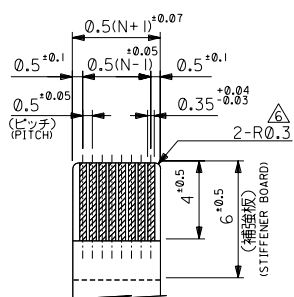
25.00
52559-045-01
MXJ-54



下面図
BOTTOM VIEW



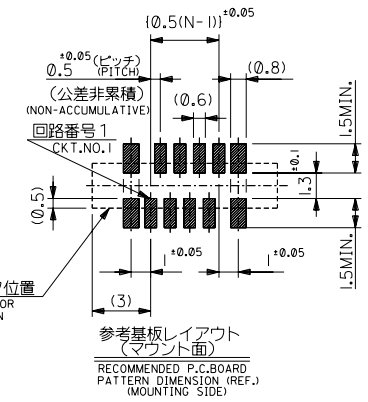
適合 FPC 推奨寸法
APPLICABLE FPC
RECOMMENDED DIMENSION.
(仕上がり厚さ: 0.3±0.05)
(THICKNESS: 0.3±0.05)



適合 FPC 推奨寸法
APPLICABLE FPC
RECOMMENDED DIMENSION.
(仕上がり厚さ: 0.3±0.05)
(THICKNESS: 0.3±0.05)

FPCについて:
打抜き方向は導体側から補強板側を推奨致します。
補強フィルム材質はポリイミドを推奨致します。
接着剤は熱硬化接着剤を推奨致します。

ABOUT FPC:
RECOMMENDED PUNCHER DIRECTION: FROM CONDUCTOR SIDE TO STIFFENER BOARD SIDE.
RECOMMENDED MATERIAL:
STIFFENER FILM: POLYIMIDE
BONDING AGENT: THERMOSETTING BONDING AGENT



コネクタ位置
CONNECTOR POSITION

25.7	24.9	20.65	19.5	52559-40	19	40
23.7	22.9	18.65	17.5		-36	36
22.2	21.4	17.15	16.0		-33	33
21.7	20.9	16.65	15.5		-32	32
21.2	20.4	16.15	15.0		-31	31
20.7	19.9	15.65	14.5		-30	30
20.2	19.4	15.15	14.0		-29	29
19.7	18.9	14.65	13.5		-28	28
19.2	18.4	14.15	13.0		-27	27
18.7	17.9	13.65	12.5		-26	26
18.2	17.4	13.15	12.0		-25	25
17.7	16.9	12.65	11.5		-24	24
17.2	16.4	12.15	11.0		-23	23
16.7	15.9	11.65	10.5		-22	22
16.2	15.4	11.15	10.0		-21	21
15.7	14.9	10.65	9.5		-20	20
15.2	14.4	10.15	9.0		-19	19
14.7	13.9	9.65	8.5		-18	18
14.2	13.4	9.15	8.0		-17	17
13.7	12.9	8.65	7.5		-16	16
13.2	12.4	8.15	7.0		-15	15
12.7	11.9	7.65	6.5		-14	14
12.2	11.4	7.15	6.0		-13	13
11.7	10.9	6.65	5.5		-12	12
11.2	10.4	6.15	5.0		-11	11
10.7	9.9	5.65	4.5		-10	10
10.2	9.4	5.15	4.0		-09	9
9.7	8.9	4.65	3.5		-08	8
8.7	7.9	3.65	2.5	52559-06	19	6
D	C	B	(A)	MATERIAL NO.	種数	種数

REV. NO.	REVISED	MODEL NO.	52559-0019	DIMENSIONS:	mm INCH mm ONLY	SHT	REV
DRWING	DRWING	SCALE	1:1	DESIGN UNITS	mm INCH	2	1
CHK	CHK	GENERAL TOLERANCES: (UNLESS SPECIFIED)	10 UNDER 未満	PROJ	ANGLE PROJECTION	2	1
APP	APP	FINISH 仕上げ	10 OVER 30 未満	DRAWN BY & DATE	H. SHIMABUKURO '04/01/07	2	1
REV. NO.	REVISED	WIRE RANGE 適用電線範囲	30 OVER 以上	CHECKED BY & DATE	K. TOJO '04/01/07	2	1
DRWING	DRWING	INS. RANGE 被覆外径	ANGLE 角度	APPROVED BY & DATE	H. SALAO '04/01/07	2	1
CHK	CHK	REVISIONS		CAD FILENAME	SD-52559-045.S02	2	1
APP	APP			MATERIAL NO.	SEE CHART	2	1
REV. NO.	REVISED			DRAWING NO.	SD-52559-045	2	1
DRWING	DRWING			SHEET NO.	2 OF 2	2	1
CHK	CHK			SIZE	B	2	1
APP	APP					2	1

EN-02J(097) MXJ-54