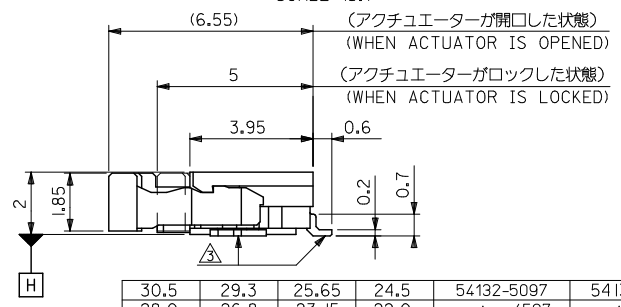
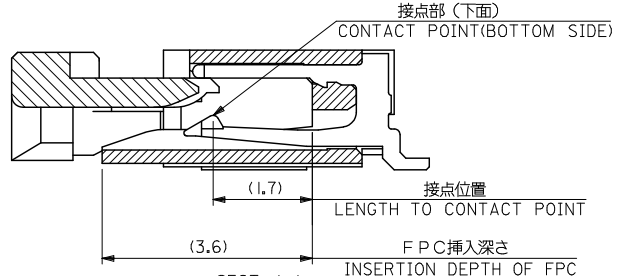
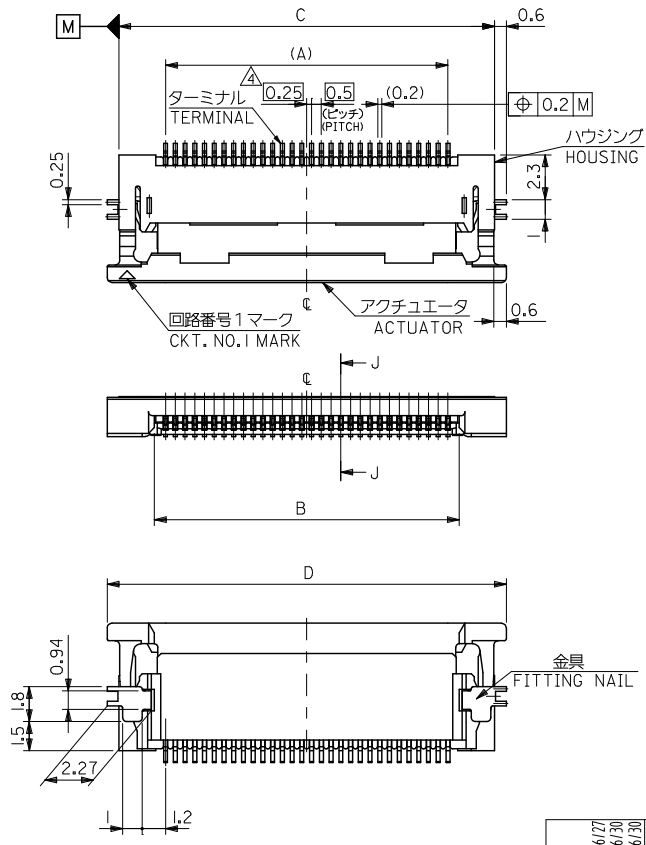


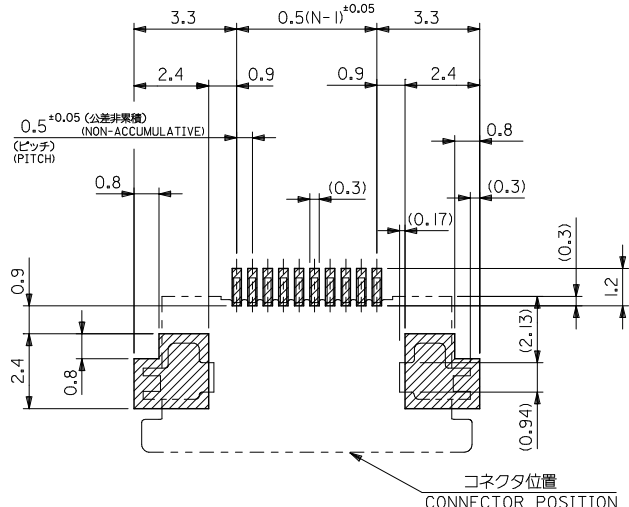
10 9 8 7 6 5 4 3 2 1



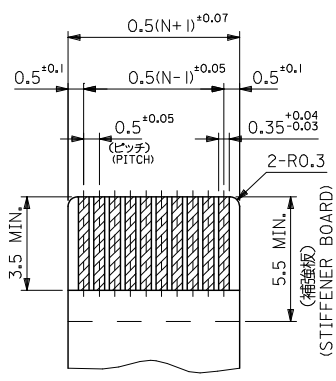
30.5	29.3	25.65	24.5	54132-5097	54132-5039	50
28.0	26.8	23.15	22.0	-4597	-4539	45
27.0	25.8	22.15	21.0	-4397	-4339	43
25.5	24.3	20.65	19.5	-4097	-4039	40
24.5	23.3	19.65	18.5	-3897	-3839	38
23.5	22.3	18.65	17.5	-3697	-3639	36
23.0	21.8	18.15	17.0	-3597	-3539	35
22.5	21.3	17.65	16.5	-3497	-3439	34
22.0	20.8	17.15	16.0	-3397	-3339	33
21.5	20.3	16.65	15.5	-3297	-3239	32
20.5	19.3	15.65	14.5	54132-3097	54132-3039	30
D	C	B	A	EMBOSSED TAPE		
				ORDER No. オ-ダ-番号	MATERIAL NO.	CKT.

REVISED IEC NO: J2008-4308 DRAWN: MABEL 2008/06/27 CHECKED: THARYAMA 2008/06/30 APPR: NIKITA 2008/06/30	GENERAL TOLERANCES (UNLESS SPECIFIED)		DIMENSION STYLE MM ONLY		SCALE ---	DESIGN UNITS METRIC	THIRD ANGLE PROJECTION
	10 UNDER	±0.2	DRAWN BY M. NABEL	DATE '03/12/15	TITLE 0.5 FPC CONN ZIF HOUSING ASSY FOR SMT -LEAD FREE-		
	10 OVER 30 UNDER	±0.25	CHECKED BY M. SASAO	DATE '03/12/15	MOLEX INCORPORATED		
	30 OVER	±0.3	APPROVED BY M. SASAO	DATE '03/12/15	DOCUMENT NO. SD-54132-060	SHEET NO. 1 OF 2	
ANGULAR ±3°		DRAFT WHERE APPLICABLE MUST REMAIN WITHIN DIMENSIONS		THIS DRAWING CONTAINS INFORMATION THAT IS PROPRIETARY TO MOLEX INCORPORATED AND SHOULD NOT BE USED WITHOUT WRITTEN PERMISSION			

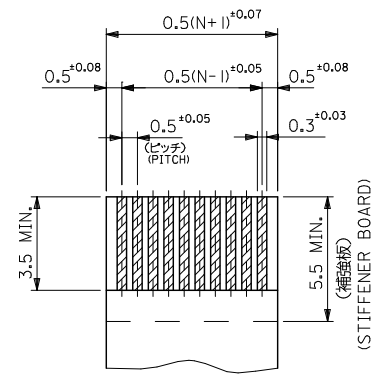
10 9 8 7 6 5 4 3 2 1



参考基板レイアウト
RECOMMENDED PC BOARD PATTERN DIMENSION(REF.)
(マウント面)
(MOUNTING SIDE)



適合FPC推奨寸法
APPLICABLE FPC RECOMMENDED DIMENSION
(仕上がり厚さ: 0.3 ± 0.03)
(THICKNESS: 0.3 ± 0.03)



適合FFC推奨寸法
APPLICABLE FFC RECOMMENDED DIMENSION
(仕上がり厚さ: 0.3 ± 0.03)
(THICKNESS: 0.3 ± 0.03)

注記
NOTES

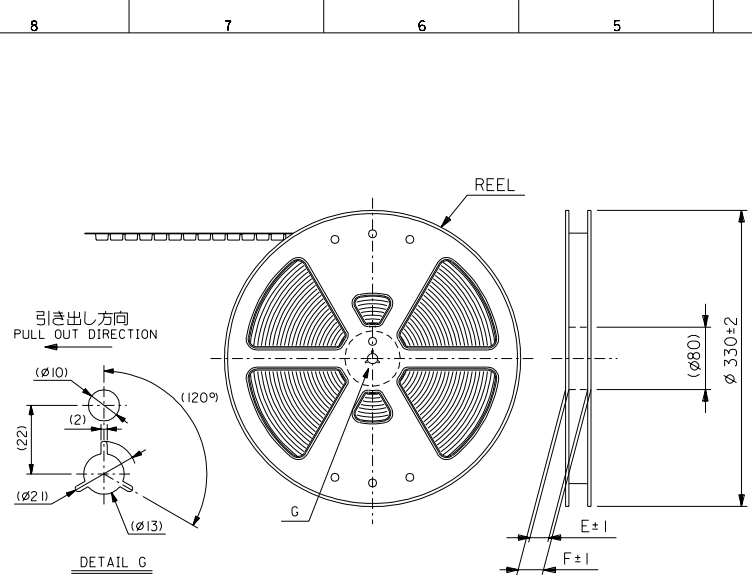
1. 使用材料
MATERIAL : 46ナイロン, UL94V-0
ハウジング : 46NYLON
アクチュエーター : PPS, UL94V-0
ACTUATOR : PPS
ターミナル : リン青銅 (1=0.2), 鍍・ビスマズメッキ 1.0~3.0 MICRO METER MIN.
ニッケル下地 1.0~3.0 MICRO METER MIN.
TERMINAL : PHOS-BRO-TIN-BISMUTH-PLATE 1.0~3.0 MICRO METER MIN.
OVER NICKEL 1.0~3.0 MICRO METER MIN.
金具 : リン青銅 (1=0.2), 鍍メッキ 1.0~3.0 MICRO METER MIN.
ニッケル下地 1.0~3.0 MICRO METER MIN.
FITTING NAIL : PHOS-BRO-TIN-PLATE 1.0~3.0 MICRO METER MIN.
OVER NICKEL 1.0~3.0 MICRO METER MIN.

2. エンボステープ梱包時は、アクチュエーターがロックした状態とする。
IN THE PACKAGE, ACTUATOR OF PART NO.54132-***31 SHOULD BE LOCKED.
- △ソルダーテール半田付け面のズレ量、及び金具半田付け面のズレ量は、基準面 田に対し上方向0.1MAX.、下方向0.15MAX.とする。
MISALIGNMENT OF SOLDER TAILS AND FITTING NAIL FROM 田 UPPER DIRECTION: 0.1 MAX., LOWER DIRECTION: 0.15 MAX.
- △偶数極に適用
APPLY FOR EVEN CIRCUIT.
- △パターンはくり止め用金具
FITTING NAIL FOR PREVENTION OF PEELING OF P.C.B. PATTERN.
6. 本製品は54132-***31の鉛フリー品である。
THIS PRODUCT IS LEAD FREE OF 54132-***31

FPC/FFCについて
打抜き方向は導体側から補強板側を推奨いたします。
導体部については軟銅箔35マイクロメートルまたは50マイクロメートル
RECOMMENDED PUNCHER DIRECTION:
FROM CONDUCTOR SIDE TO STIFFENER BOARD SIDE.
RECOMMENDED CONDUCTOR SPEC.:
THICKNESS OF SOFT COPPER FOIL:
35 micrometer or 50 micrometer

54132-***39 MODEL NO.

REVISED EC NO: J2008-4308 DRAWN BY: M.NABEI CHKD: HARUYAMA APPR: NIKITA B	DESCRIPTION 2008/06/27 2008/06/30 2008/06/30	GENERAL TOLERANCES (UNLESS SPECIFIED)		DIMENSION STYLE MM ONLY		SCALE ---	DESIGN UNITS METRIC	THIRD ANGLE PROJECTION	
		10 UNDER	±0.2	DRAWN BY M.NABEI	DATE '03/12/15	TITLE 0.5 FPC CONN ZIF HOUSING ASSY FOR SMT -LEAD FREE-			
		10 OVER 30 UNDER	±0.25	CHECKED BY M.SASAO	DATE '03/12/15	MOLEX INCORPORATED			
		30 OVER	±0.3	APPROVED BY M.SASAO	DATE '03/12/15	DOCUMENT NO. SD-54132-060			
ANGULAR ±3 °		DRAFT WHERE APPLICABLE MUST REMAIN WITHIN DIMENSIONS		MATERIAL NO. SEE SHEET 1		SHEET NO. 2 OF 2			
SIZE A3 THIS DRAWING CONTAINS INFORMATION THAT IS PROPRIETARY TO MOLEX INCORPORATED AND SHOULD NOT BE USED WITHOUT WRITTEN PERMISSION									

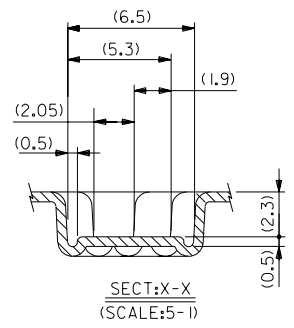
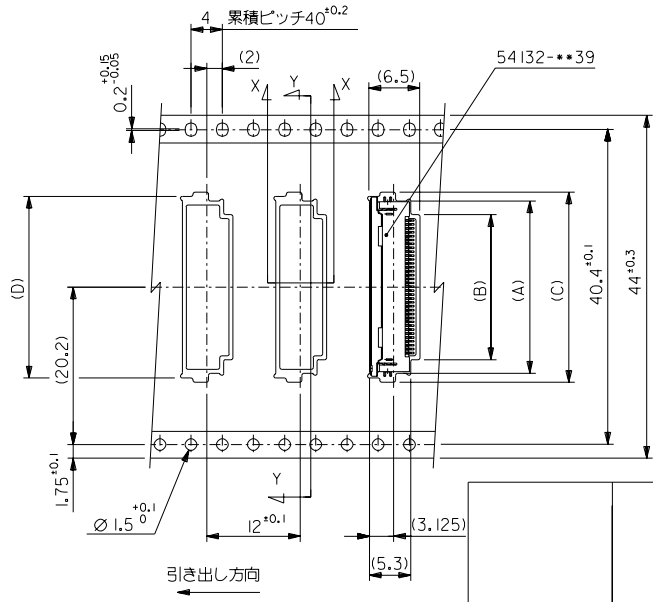
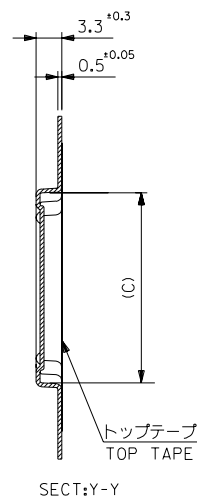


NOTES

- 梱包数量: 1500個/リール
NUMBER OF CONNECTORS: 1500PCS/REEL
 - リードテープ長さ LEAD TAPE LENGTH
20PCS, MIN-トップテープ接着部 (空エンボス)
TOP TAPE BONDED PART. (EMPTY)
部品挿入部 COMPONENT SUPPLIER
末端部 (空部) TAIL PART (EMPTY)
400MIN. 40MIN.
 - トップテープの剥離強度: 0.1N ~ 1.3N(10gf ~ 130gf)
(剥離方向は下図参照)
尚、本規格値は出荷時に適用。(但し、輸送時に剥離が発生しないこと。)
PEELING OFF FORCE OF TOP TAPE: 0.1N ~ 1.3N(10gf ~ 130gf)
(PEELING DIRECTION AS SHOWN IN FOLLOWING FIG.)
THIS REQUIREMENT SHOULD BE APPLIED AT SHIPMENT.
PEEL OFF SHOULD NOT BE ALLOWED DURING TRANSPORTATION.
-
- 材料 キャリアテープ: ポリプロピレン (PP)
トップテープ: PET, PE, PEF
リール: ポリスチレン (PS) <リサイクル材を含む>
MATERIAL CARRIER TAPE: POLYPROPYLENE
TOP TAPE: PET, PE, PEF
REEL: POLYSTYRENE(PS)
<RECYCLE MATERIAL CONTAINED>
 - 本製品は54132-* * 92の鉛フリー品である。
THIS PRODUCT IS LEAD FREE OF 54132-**92

EC NO. J2004-2790 DRWN: M.NABEI CHK: M.SASAO APPR: M.SASAO		REVISED DRWN: M.NABEI CHK: M.SASAO APPR: M.SASAO		EC NO. J2004-1538 DRWN: M.NABEI CHK: M.SASAO APPR: M.SASAO		MATERIAL 材料 注記参照 SEE NOTES		GENERAL TOLERANCES: (UNLESS SPECIFIED) 一般公差		SCALE 1/1		DESIGN UNITS <input checked="" type="checkbox"/> mm <input type="checkbox"/> INCH		THIRD ANGLE PROJECTION <input type="checkbox"/> mm <input type="checkbox"/> INCH <input checked="" type="checkbox"/> mm ONLY		MODEL NO. 54132-**97		SHT 1 OF 2		REV	
EC NO. J2004-2790 DRWN: M.NABEI CHK: M.SASAO APPR: M.SASAO		REVISED DRWN: M.NABEI CHK: M.SASAO APPR: M.SASAO		EC NO. J2004-1538 DRWN: M.NABEI CHK: M.SASAO APPR: M.SASAO		FINISH 仕上げ //		10 UNDER 未満 +0.2		DRAWN BY & DATE M.NABEI 03/12/15		CHECKED BY & DATE M.SASAO 03/12/15		APPROVED BY & DATE M.SASAO 03/12/15		TITLE: EMBOSSED TAPE PACKAGE FOR 0.5 FPC CONN. ZIF -LEAD FREE-		MATERIAL NO. SEE CHART		DRAWING NO. SD-54132-061	
EC NO. J2004-2790 DRWN: M.NABEI CHK: M.SASAO APPR: M.SASAO		REVISED DRWN: M.NABEI CHK: M.SASAO APPR: M.SASAO		EC NO. J2004-1538 DRWN: M.NABEI CHK: M.SASAO APPR: M.SASAO		WIRE RANGE 適用電線範囲 //		10 OVER 以上 30 UNDER 未満 +0.25		CAD FILENAME SD-54132-061.S01		MATERIAL NO. SEE CHART		DRAWING NO. SD-54132-061		SHEET NO. 1 OF 2		SIZE B			
EC NO. J2004-2790 DRWN: M.NABEI CHK: M.SASAO APPR: M.SASAO		REVISED DRWN: M.NABEI CHK: M.SASAO APPR: M.SASAO		EC NO. J2004-1538 DRWN: M.NABEI CHK: M.SASAO APPR: M.SASAO		INS. RANGE 穴径公差 //		30 OVER 以上 +0.3		ANGLE 角度 +3°		MATERIAL NO. SEE CHART		DRAWING NO. SD-54132-061		SHEET NO. 1 OF 2		SIZE B			
EC NO. J2004-2790 DRWN: M.NABEI CHK: M.SASAO APPR: M.SASAO		REVISED DRWN: M.NABEI CHK: M.SASAO APPR: M.SASAO		EC NO. J2004-1538 DRWN: M.NABEI CHK: M.SASAO APPR: M.SASAO		REV		THIS DRAWING CONTAINS INFORMATION THAT IS PROPRIETARY TO MOLEX INCORPORATED AND SHOULD NOT BE USED WITHOUT WRITTEN PERMISSION.		CAD FILENAME SD-54132-061.S01		MATERIAL NO. SEE CHART		DRAWING NO. SD-54132-061		SHEET NO. 1 OF 2		SIZE B			

DWG. NO. SD-54132-06



44	49.4	45.4	30.8	31.6	26.1	29.6	54132-5097	50	
			28.3	29.4	23.6	27.1	-4597	45	
			27.3	28.4	22.6	26.1	-4397	43	
			25.8	26.9	21.1	24.6	-4097	40	
			24.8	25.9	20.1	23.6	-3897	38	
			23.8	24.9	19.1	22.6	-3697	36	
			23.3	24.4	18.6	22.1	-3597	35	
			22.8	23.9	18.1	21.6	-3497	34	
			22.3	23.4	17.6	21.1	-3397	33	
			21.8	22.9	17.1	20.6	-3297	32	
20.8	21.9	16.1	19.6	54132-3097	30				
キャリアテープ幅 CARRIER TAPE WIDTH		F	E	D	C	B	A	ENG. NO.	CKT.

DO NOT SCALE DRAWING

EC NO. DRWN: CHK: APPR:	EC NO. DRWN: CHK: APPR:	EC NO. DRWN: CHK: APPR:	REVISED EC NO. J2004-2790 DRWN: SHIMAMURO W/S CHK: M.SASAO W/S APPR: M.SASAO W/S	RELEASED EC NO. J2004-1538 DRWN: M.NABEI W/S CHK: M.SASAO W/S APPR: M.SASAO W/S	MATERIAL 材料 SHEET 1 OF 2 参照 REFER TO SHEET 1 OF 2	GENERAL TOLERANCES: (UNLESS SPECIFIED) 一般公差	SCALE → mm □ INCH	DESIGN UNITS ☑ mm □ INCH	MODEL NO. 54132-***97	DIMENSIONS: THIRD ANGLE PROJECTION ☑ mm INCH □ mm ONLY	SHT REVISE ON CAD ONLY	REV
					FINISH 仕上げ //	10 UNDER 未満	+0.2	DRAWN BY & DATE M.NABEI 03/12/15	TITLE: EMBOSSD TAPE PACKAGE FOR 0.5 FPC CONN. ZIF -LEAD FREE-			
					WIRE RANGE 適用電線範囲 //	10 OVER 以上	+0.25	CHECKED BY & DATE M.SASAO 03/12/15				
					INS. RANGE 被覆外径 //	30 OVER 以上	+0.3	APPROVED BY & DATE M.SASAO 03/12/15				
						ANGLE 角度	+3°	CAD FILENAME SD-54132-061.S02	MATERIAL NO. SEE CHART	DRAWING NO. SD-54132-061	SHEET NO. 2 OF 2	SIZE B
THIS DRAWING CONTAINS INFORMATION THAT IS PROPRIETARY TO MOLEX INCORPORATED AND SHOULD NOT BE USED WITHOUT WRITTEN PERMISSION.											EN-02J(097) MXJ-54	

SD-54132-061.S02