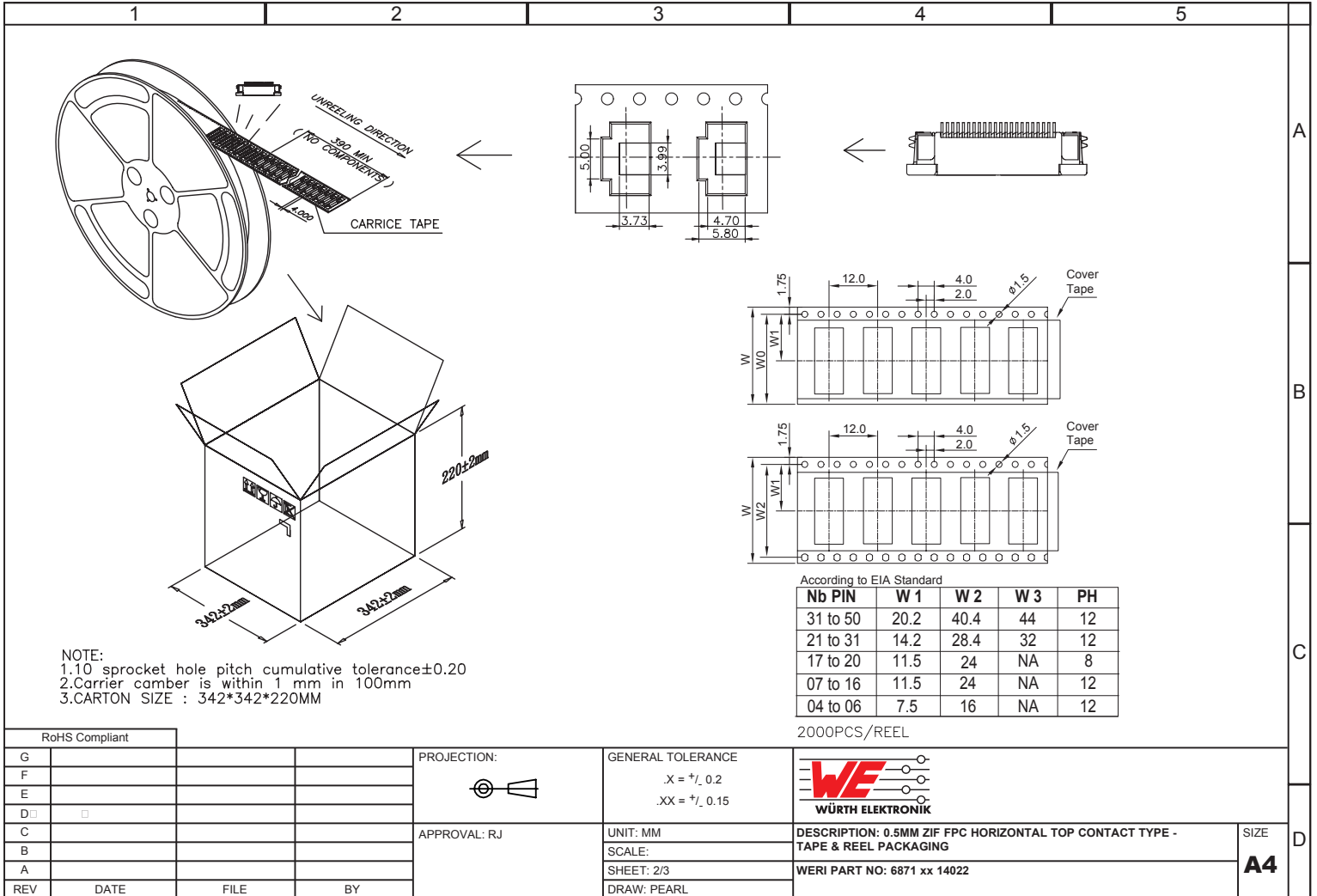
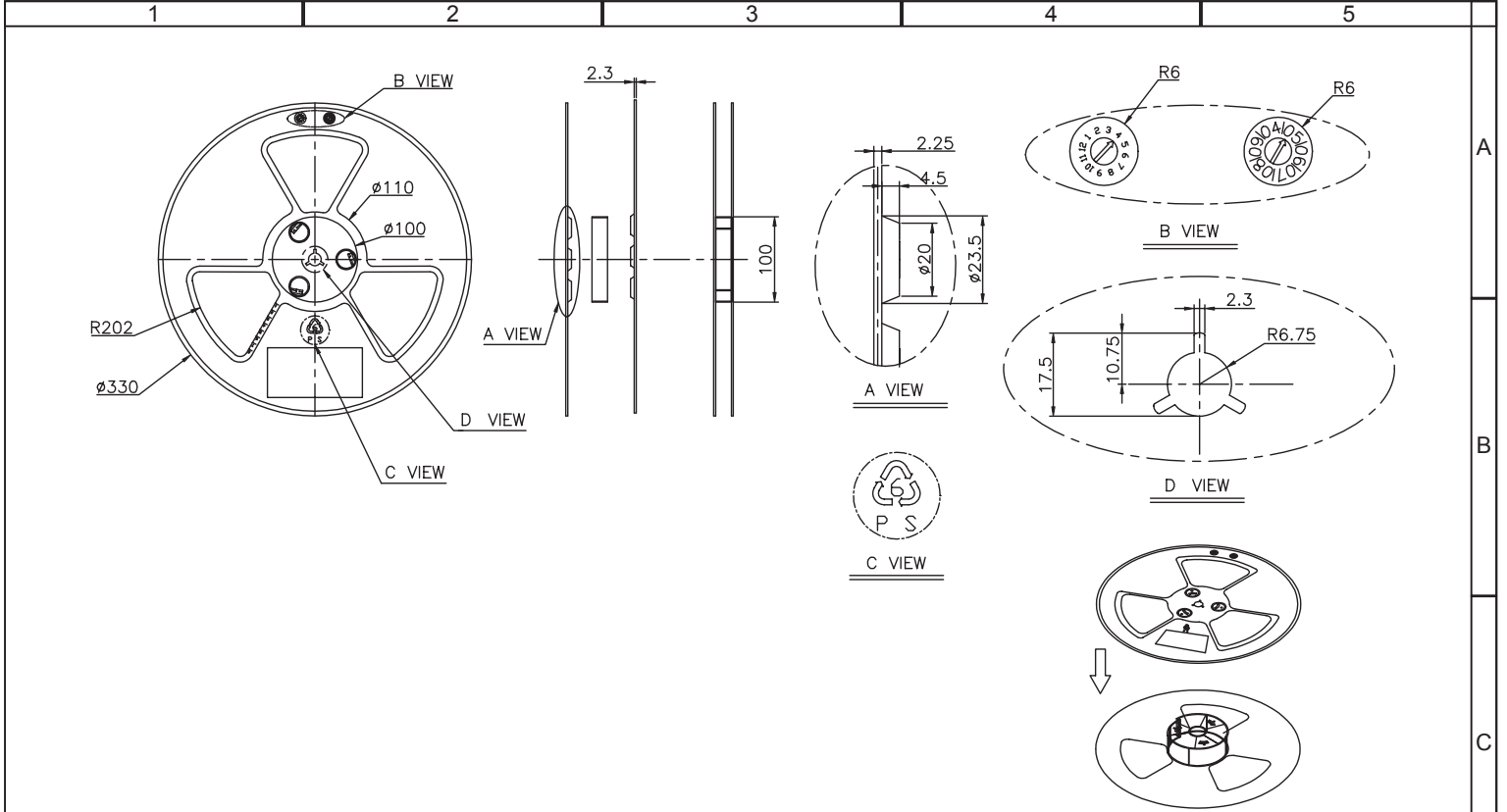


RoHS Compliant				PROJECTION: 	GENERAL TOLERANCE .X = +/- 0.2 .XX = +/- 0.15		DESCRIPTION: 0.5MM ZIF FPC HORIZONTAL TOP CONTACT TYPE - TAPE & REEL PACKAGING WERI PART NO: 6871 xx 14022	SIZE A4
G								
F								
E								
D								
C	01-FEB-11	NEW PACKAGING	JC	APPROVAL: RJ	UNIT: MM			
B	21-APR-10	PACKAGING	JP		SCALE:			
A	26-OCT-09	STANDARD	JP		SHEET: 1/3			
REV	DATE	FILE	BY		DRAW: PEARL			





RoHS Compliant				PROJECTION: 	GENERAL TOLERANCE .X = +/_ 0.2 .XX = +/_ 0.15		DESCRIPTION: 0.5MM ZIF FPC HORIZONTAL TOP CONTACT TYPE - TAPE & REEL PACKAGING WERI PART NO: 6871 xx 14022	SIZE
G								A4
F								
E								
D	<input type="checkbox"/>							
C				APPROVAL: RJ	UNIT: MM			
B					SCALE:			
A					SHEET: 3/3			
REV	DATE	FILE	BY		DRAW: PEARL			