

MATERIAL:
 HOUSING MATERIAL: LCP
 COLOR: IVORY
 ACTUATOR MATERIAL: LCP
 COLOR: BLACK
 CONTACT MATERIAL: PHOSPOR BRONZE
 CONTACT PLATING: 100µ TIN OVER 50µ NI
 QUALITY CLASS: 25 MATING CYCLES

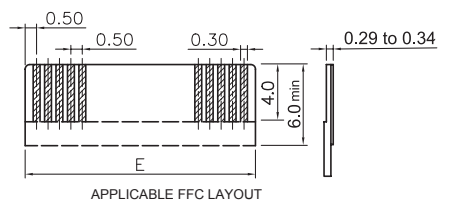
ENVIRONMENTAL:
 OPERATING TEMPERATURE: -25°C UP TO 85°C
 FLAMABILITY RATING: UL94-V0
 COMPLIANCE: LEAD FREE AND ROHS

ELECTRICAL:
 CURRENT RATING: 0.5A
 WORKING VOLTAGE: 50V
 INSULATION RESISTANCE: >100MOHM
 DIELECTRIC WITHSTANDING VOLT.: 250VAC/MN
 CONTACT RESISTANCE: 20mOHM MAX

STANDARD
 CERTIFIED: E323964 / MODEL NUMBER 687
 FOLLOWED BY 1, FOLLOWED BY 04 THRU 50, FOLLOWED
 BY 140 OR 145, FOLLOWED BY NUMERIC DIGITS

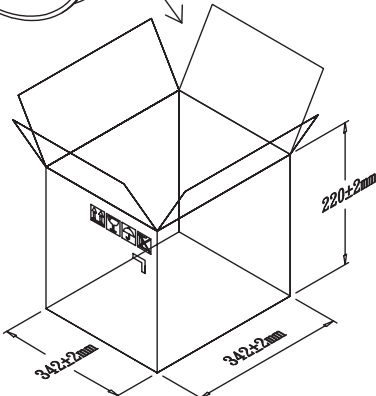
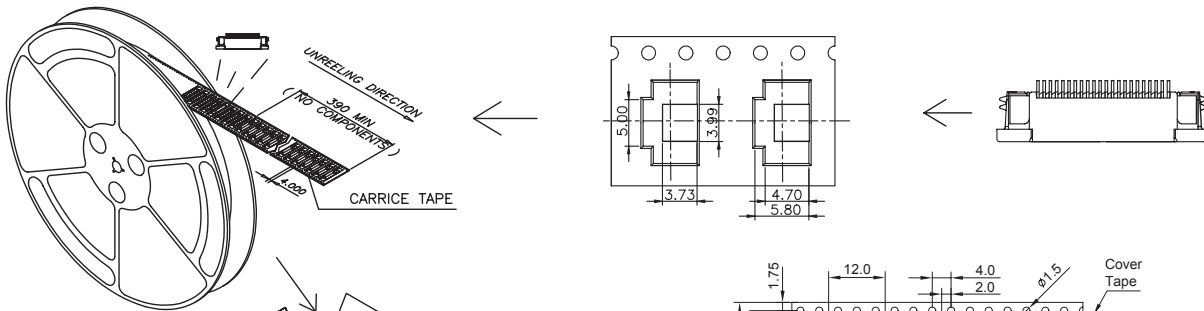
SOLDERING:
 REFLOW PROCESS ONLY

DIMENSION:
 B = 0.5 x NB PINS + 6.4
 C = 0.5 x (NB PINS - 1)
 D = 0.5 x (NB PINS + 1) + 0.1
 E = 0.5 x (NB PINS + 1)

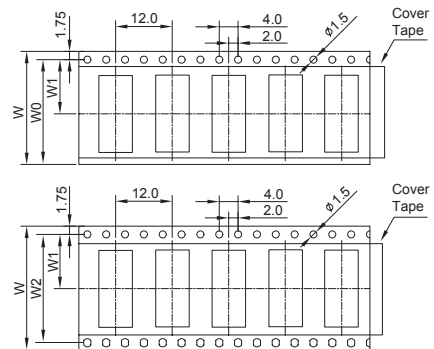


RoHS Compliant				PROJECTION: 	GENERAL TOLERANCE .X = +/- 0.2 .XX = +/- 0.15		DESCRIPTION: 0.5MM ZIF FPC HORIZONTAL BOTTOM CONTACT TYPE - TAPE & REEL PACKAGING WERI PART NO: 6871 xx 14522	SIZE A4
G								
F								
E	01-FEB-11	NEW PACKAGING	JC					
D	21-APR-10	TABLE PACK	JP					
C	26-MAR-10	PACKAGING	JP	APPROVAL: RJ	UNIT: MM			
B	26-OCT-09	STANDARD	JP		SCALE:			
A	03-AUG-09	THICKNESS FFC	JP		SHEET: 1/3			
REV	DATE	FILE	BY		DRAW: PEARL			

1 2 3 4 5



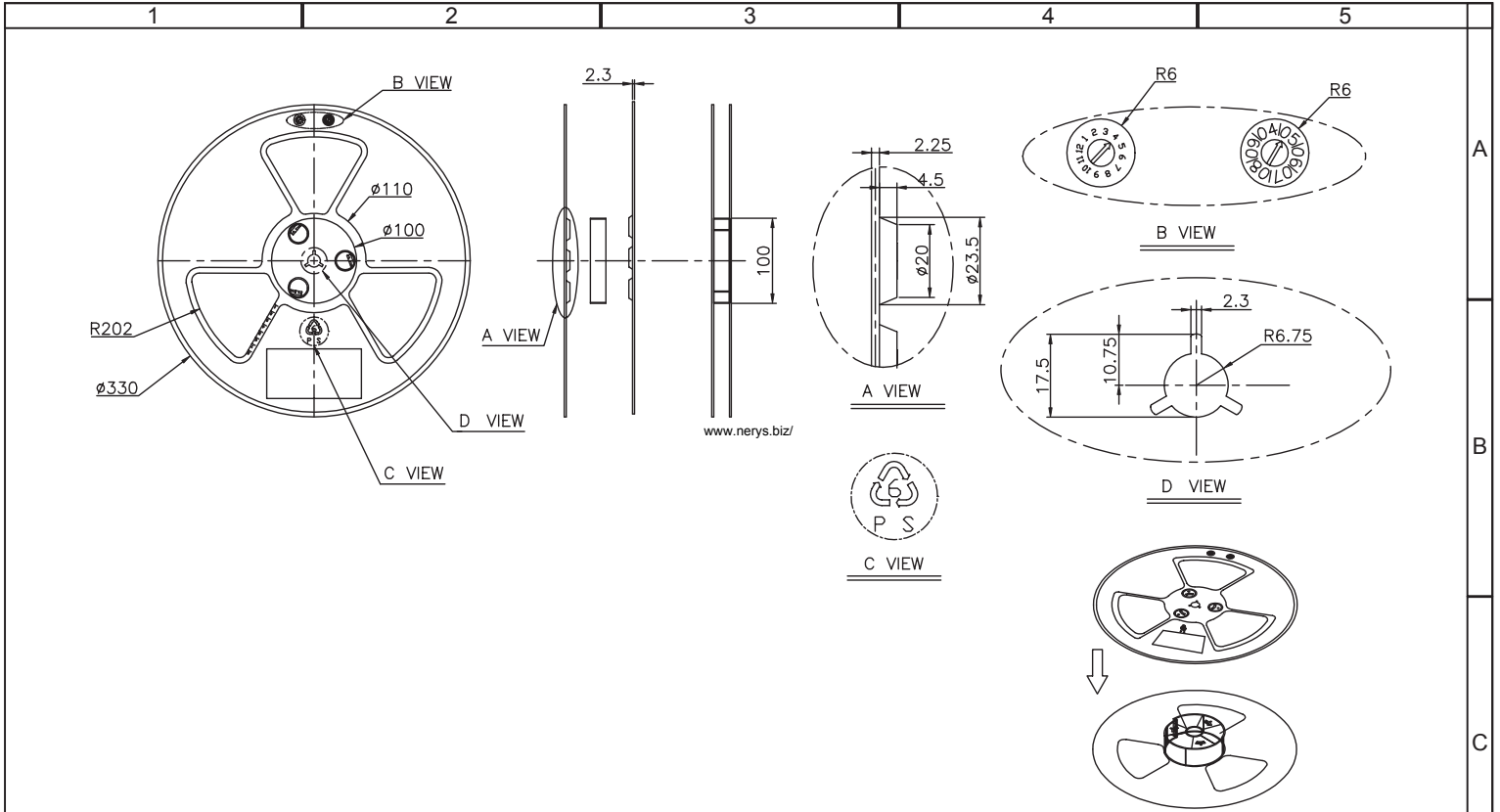
NOTE:
 1.10 sprocket hole pitch cumulative tolerance±0.20
 2.Carrier camber is within 1 mm in 100mm
 3.CARTON SIZE : 342*342*220MM



Nb PIN	W 1	W 2	W 3	PH
31 to 50	20.2	40.4	44	12
21 to 31	14.2	28.4	32	12
16 to 20	11.5	24	NA	8
07 to 15	11.5	24	NA	12
04 to 06	7.5	16	NA	12

2000PCS/REEL

RoHS Compliant				PROJECTION:	GENERAL TOLERANCE		DESCRIPTION: 0.5MM ZIF FPC HORIZONTAL BOTTOM CONTACT TYPE - TAPE & REEL PACKAGING WERI PART NO: 6871 xx 14522	SIZE A4
G				APPROVAL: RJ	.X = +/- 0.2			
F					.XX = +/- 0.15			
E								
D								
C								
B				UNIT: MM				
A				SCALE:				
REV	DATE	FILE	BY		SHEET: 2/3			
					DRAW: PEARL			



RoHS Compliant				PROJECTION: 	GENERAL TOLERANCE .X = \pm / 0.2 .XX = \pm / 0.15		DESCRIPTION: 0.5MM ZIF FPC HORIZONTAL BOTTOM CONTACT TYPE - TAPE & REEL PACKAGING WERI PART NO: 6871 xx 14522	SIZE A4
G								
F								
E								
D								
C			APPROVAL: RJ	UNIT: MM				
B				SCALE:				
A				SHEET: 3/3				
REV	DATE	FILE	BY	DRAW: PEARL				