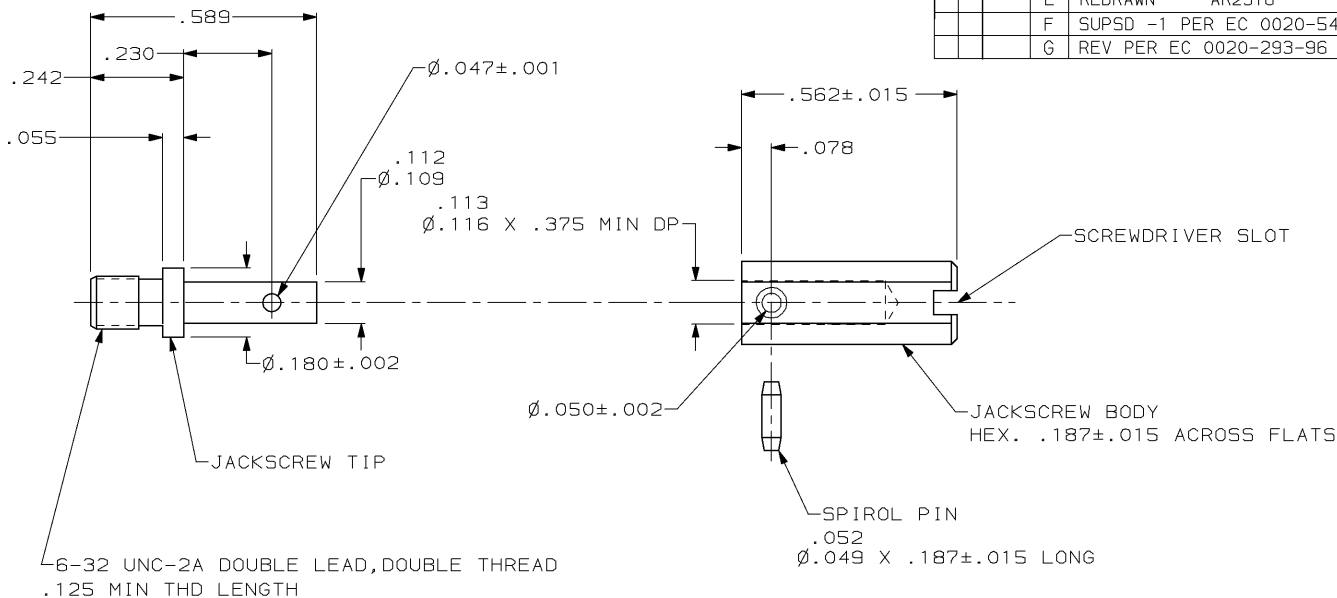


DRAWING MADE IN THIRD ANGLE PROJECTION

THIS DRAWING IS UNPUBLISHED. RELEASED FOR PUBLICATION, 19  
 © COPYRIGHT 19 BY AMP INCORPORATED. ALL INTERNATIONAL RIGHTS RESERVED.

LOC	DIST	REVISIONS				
P	F	ZONE	LTR	DESCRIPTION	DATE	APPD
AR	39		E	REDRAWN AR2318	2-89	-
			F	SUPSD -1 PER EC 0020-542-94	12/21/94	GM
			G	REV PER EC 0020-293-96	25 JUN 96	GDM



SUPSD BY 88618-2	PASSIVATED	88618-2
	-	88618-1
	FINISH	PART NO

DO NOT SCALE PRINT. UNLESS SPECIFIED DIMENSIONS IN INCHES TOLERANCES ON: 2 PLC DEC ± .005 3 PLC DEC ± .005 ANGLES ± .	DR 2-1-89	<b>AMP</b> AMP INCORPORATED Harrisburg, Pa. 17105	NAME JACKSCREW KIT, MALE, TURNABLE	
	CHK 2-15-89			
	APPD 2-15-89			
	APPD 2-15-89			
MATERIAL	PRODUCT SPEC	SIZE	FSCN NO	DRAWING NO
STAINLESS STEEL	-	<b>B</b>	00779	88618
FINISH	APPLICATION SPEC	SCALE	4:1	SHEET
SEE TABLE	-			1 OF 1
WEIGHT	-			

AMP 1470-15 REV 3-87  
 25-JUN-96 09:07:22 amp38585 /home/ssrv026d/dsk01/dept4023/amp38585/edmod

CUSTOMER DRAWING