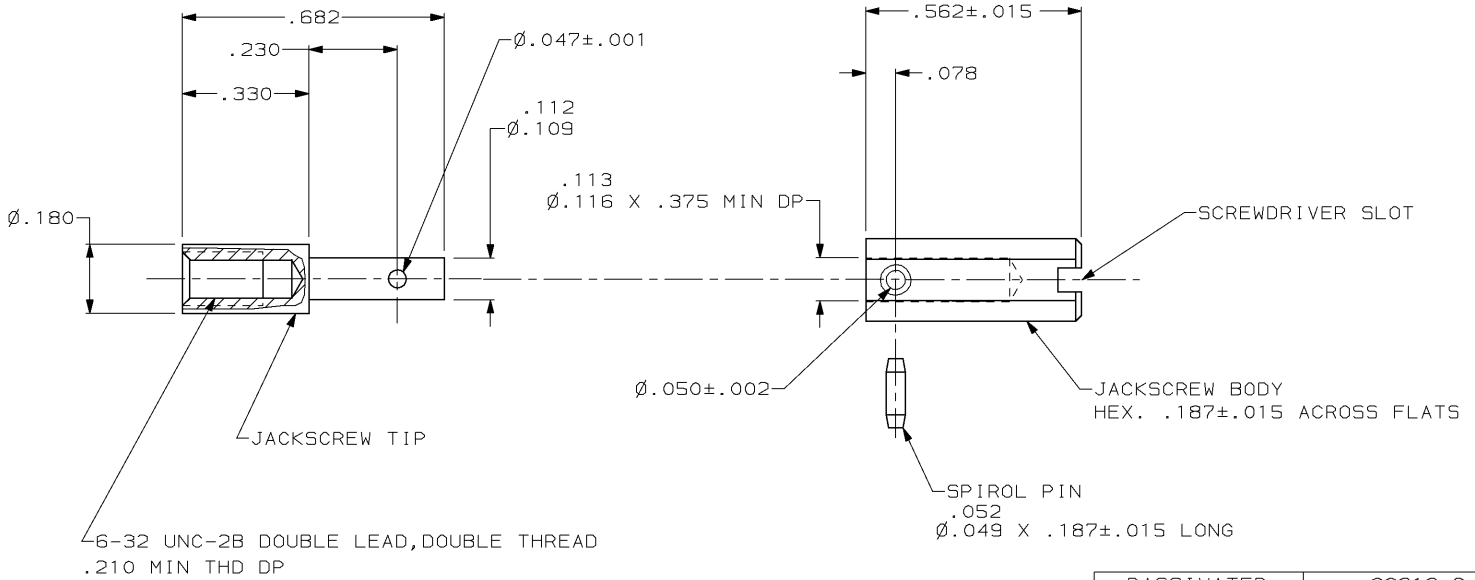


DRAWING MADE IN THIRD ANGLE PROJECTION

THIS DRAWING IS UNPUBLISHED. RELEASED FOR PUBLICATION, 19
 © COPYRIGHT 19 BY AMP INCORPORATED. ALL INTERNATIONAL RIGHTS RESERVED.

LOC	DIST	REVISIONS				
P	F	ZONE	LTR	DESCRIPTION	DATE	APPD
AR	39		D	REDRAWN AR2318	2-89	-
			E	SUPSD -1 PER EC 0020-542-94	12/21/94	GM
			F	REV PER EC 0020-293-96	25 JUN 96	GDM



SUPSD BY 88616-2	PASSIVATED	88616-2
	-	88616-1
	FINISH	PART NO

DO NOT SCALE PRINT. UNLESS SPECIFIED DIMENSIONS IN INCHES TOLERANCES ON: 2 PLC DEC ± 3 PLC DEC ± .005 ANGLES ±	DR	2-2-89	AMP AMP INCORPORATED Harrisburg, Pa. 17105	
	CHK	2-15-89		
	APPD	2-15-89		
	APPD	2-15-89		
MATERIAL	PRODUCT SPEC		NAME	JACKSCREW KIT, FEMALE, TURNABLE
FINISH	APPLICATION SPEC		SIZE	B
SEE TABLE	WEIGHT		FSCM NO	00779
			DRAWING NO	88616
			SCALE	4:1
			SHEET	1 OF 1

AMP 1470-15 REV 3-87
 25-JUN-96 09:05:55 amp38585 /home/ssrv026d/dsk01/dept4023/amp38585/edmod

CUSTOMER DRAWING