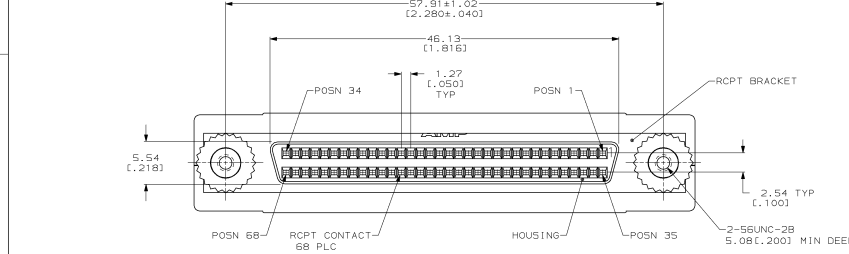
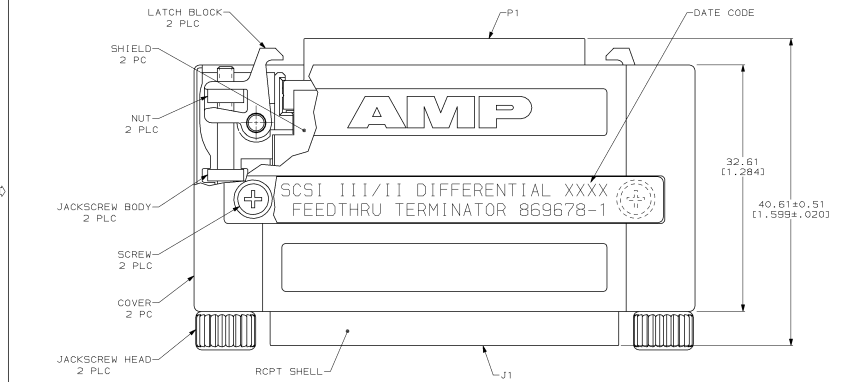
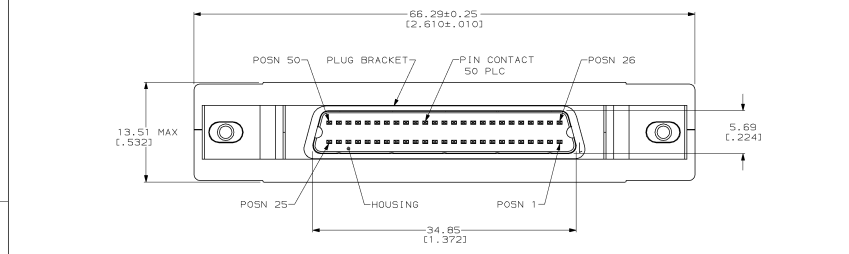
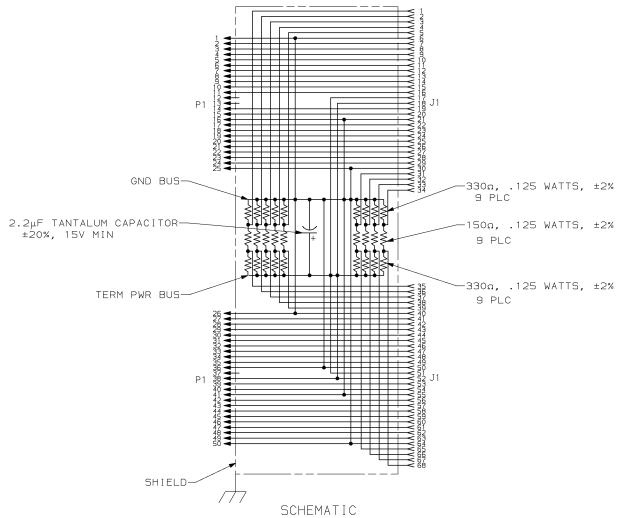


MAKING MADE IN THIRD PARTY PRODUCTION
 THIS DRAWING IS UNCONTROLLED UNLESS SPECIFICALLY IDENTIFIED.
 RELEASED FOR PUBLICATION
 BY AMP INCORPORATED. ALL INTERNATIONAL RIGHTS RESERVED.

REV	DATE	DESCRIPTION	BY	CHK	APPD
A1	REV PER EC 0020-0797-93				
B	REV PER EC 0020-1576-93				
C	REV PER EC 0020-1598-93				
D	REV PER EC 0020-0028-94				
E	REV PER EC 0020-755-94				
F	REV PER EC 0020-1134-94				
G	REV PER EC 0020-683-95				



- ▲ JACKSCREW BODIES AND NUTS, STAINLESS STEEL; SHELL AND SCREWS, CARBON STEEL; CONTACTS; PHOSPHOR BRONZE; HOUSINGS; POLYESTER, BLACK; SHIELD; COPPER; COVER; ABS, GREY, UL 94V-0; JACKSCREW HEADS; PVC, BEIGE; BRACKETS AND LATCH BLOCKS; ZINC; FLEX FILM CIRCUIT; COPPER ON KAPTON.
- ▲ PASSIVATED.
- ▲ 5.09µm(.000200) MIN TIN OR TIN-LEAD OVER 1.27µm(.000500) MIN COPPER.
- ▲ PIN CONTACTS: 0.76µm(.000300) MIN GOLD FOR A LENGTH OF 3.35(.132) MIN FROM MATING END OVER 1.27µm(.000500) MIN NICKEL; RECEPTACLE CONTACTS: 0.76µm(.000300) MIN GOLD FOR A LENGTH OF 0.64(.025) MIN, 0.13(.005) MAX FROM MATING END OVER 1.27µm(.000500) MIN NICKEL.
- ▲ 76.20µm(.003000) MIN CARBONITRIDE TEMPER.
- ▲ 3.81µm(.000150) MIN NICKEL OVER 5.09µm(.000200) MIN COPPER.



DO NOT SCALE PRINT, UNLESS SPECIFIED. DIMENSIONS IN mm (INCHES) TO 3 DEC. 0.1 (1.31.050) INCHES.		DR 1-18-93 J INCLINATION	PART NO 669678-1	
MATERIAL	APPRO 2-15-93 M.D. FLEISHMAN	APPRO 2-15-93 M.D. FLEISHMAN	AMP Incorporated Harrisburg, PA 17105-3508	
FINISH SHELL: ▲ SCREWS: ▲ BRACKETS: ▲ JACKSCREW BODIES & NUTS: ▲	CONTACTS: ▲ BRACKETS: ▲ JACKSCREW BODIES & NUTS: ▲	APPLICATION SPEC	NAME ADAPTER ASSEMBLY, FEEDTHRU, DIFFERENTIAL, SCSI 111/11, .050 SERIES AMPLIMITE™, TERMINATOR	
WEIGHT		SIZE D	CAGE CODE 00779	DRAWING NO 669678
SCALE 4:1		SHEET 1 OF 1		

THIS DRAWING IS A CONTROLLED DOCUMENT FOR AMP INCORPORATED. IT IS SUBJECT TO CHANGE AND THE CONTROLLING AND REVISION INFORMATION SHOULD BE CONTACTED FOR THE LATEST REVISION.

30-JUN-95 13:34:29 48625061 /home/soc250/dep44023/amp25061/edmod

CUSTOMER DRAWING