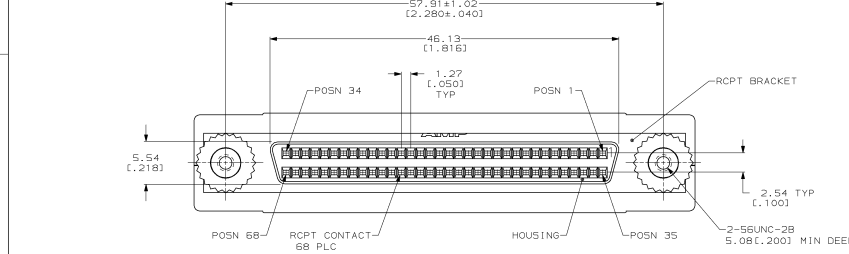
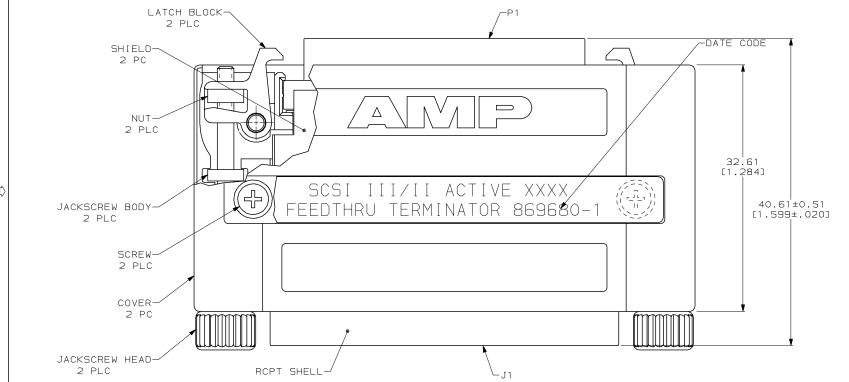
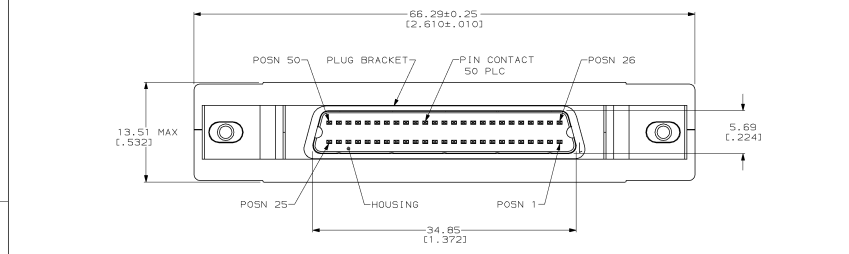


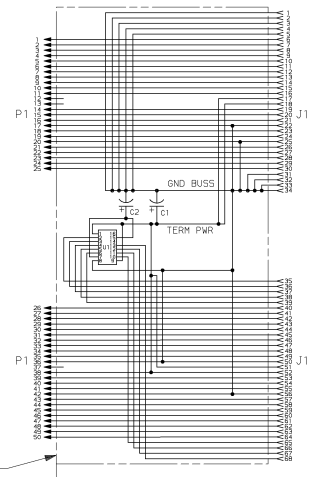
8 7 6 5 4 3 2 1

THIS DRAWING IS UNPUBLISHED.
 RELEASED FOR PUBLICATION
 BY AMP INCORPORATED. ALL INTERNATIONAL RIGHTS RESERVED.

REV	DATE	DESCRIPTION	BY	APPD
0	11-93	RLSE NPR 4527, WAS 92-4183-063-01		WDF
A	06/09/94	REV PER EC 0020-544-93		WDF
B	06/09/94	REV PER EC 0020-1578-93		WDF
C	06/09/94	REV PER EC 0020-1598-93		PR
D	06/09/94	REV PER EC 0020-0028-94		PR
E	07/19/94	REV PER EC 0020-755-94		WDF
F	06/09/94	REV PER EC 0020-1134-94		RF
G	06/09/94	REV PER EC 0020-683-95		RWD



- △ JACKSCREW BODIES AND NUTS; STAINLESS STEEL; SHELL AND SCREWS; CARBON STEEL; CONTACTS; PHOSPHOR BRONZE; HOUSINGS; POLYESTER, BLACK; SHIELD; COPPER; COVER; ABS, GREY, UL 94V-0; JACKSCREW HEADS; PVC, BEIGE; BRACKETS AND LATCH BLOCKS; ZINC; FLEX FILM CIRCUIT; COPPER ON KAPTON.
- △ 5.08μm(.000200) MIN TIN OR TIN-LEAD OVER 1.27μm(.000050) MIN COPPER.
- △ P-IN CONTACTS; 0.76μm(.000030) MIN GOLD FOR A LENGTH OF 3.35(.132) MIN FROM MATING END OVER 1.27μm(.000050) MIN NICKEL; RECEPTACLE CONTACTS; 0.76μm(.000030) MIN GOLD FOR A LENGTH OF 0.64(.025) MIN, 0.13(.005) MAX FROM MATING END OVER 1.27μm(.000050) MIN NICKEL.
- △ 76.20μm(.003000) MIN CARBON TRIDE TEMPER.
- △ 3.81μm(.000150) MIN NICKEL OVER 5.08μm(.000200) MIN COPPER.
- △ C2; 4.7μFD TANTALUM CAPACITOR RATED 15 VOLTS MIN; C1; 2.2μFD TANTALUM CAPACITOR RATED 15 VOLTS MIN; CAPACITOR TOLERANCE: ±20%; U1:DS2107AS.



△ SCHEMATIC

DO NOT SCALE PRINT. UNLESS SPECIFIED DIMENSIONS IN mm (INCHES) TOLERANCES ON 3 PLG DEC ± 0.131(05) MILLIMETERS		DR 1-11-93 / 2 INCLINATION	AMP Incorporated Harrisburg, PA 17105-3608
MATERIAL		APPRD 2-15-93 / N.D. FLEISHMAN	
FINISH	CONTACTS; △ SCREWS; △ BRACKETS; △ JACKSCREW BODIES & NUTS; △	APPLICATION SPEC	NAME: ADAPTER ASSEMBLY, FEEDTHRU, ACTIVE, SCSI III/II, .050 SERIES AMPLIMITE™, TERMINATOR SIZE: 00779 CAGE CODE: 669680 DRAWING NO: 669680-1 SCALE: 4:1 SHEET: 1 OF 1