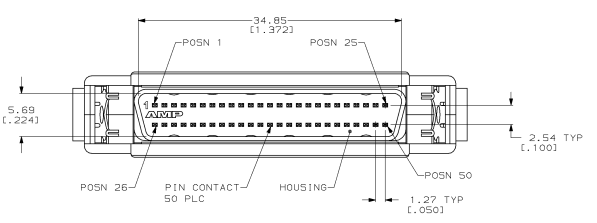
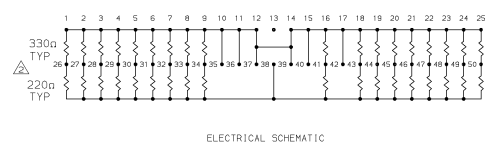
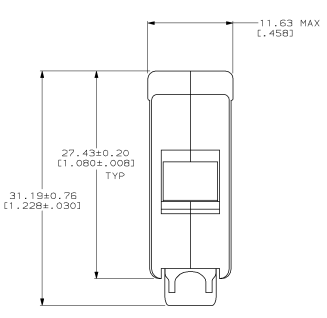
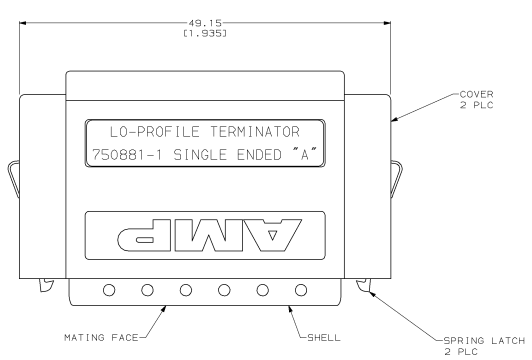


DRAWINGS MADE IN THIRD ANGLE PROJECTION  
 THESE DRAWINGS TO BE PUBLISHED, RELEASED FOR PUBLICATION  
 © Copyright 1984 BY AMP INCORPORATED. ALL INTERNATIONAL RIGHTS RESERVED.

NO	REV	DATE	DESCRIPTION	DATE	APPD
0	RLSE WAS 91-4163-045-01	8-91			
A	REV NBR 3784	10-91			PR
B	REVISED FOR BDE418	07-94			PR
C	REV PER EC 0020-601-93	10-94			PR



- △ SHELL: CARBON STEEL; PIN CONTACT: PHOSPHOR BRONZE; HOUSING: POLYESTER, BLACK; RESISTOR NETWORK: THICK FILM RESISTOR COMPOSITION ON ALUMINA SUBSTRATE.
- △ SPRING LATCH: STAINLESS STEEL; COVER: ABS, GRAY, UL 94V-0 RATED.
- △ RESISTOR TOLERANCE: ±5%.
- △ 5.09µm (0.000200) MIN TIN OR TIN-LEAD OVER 1.27µm (0.00050) MIN COPPER.
- △ 0.76µm (0.00030) MIN GOLD FOR A LENGTH OF 3.35 (1.32) MIN FROM MATING END OVER 1.27µm (0.00050) MIN NICKEL.

750881-1 PART NO		AMP Incorporated Harrisburg, PA 17105-3608	
DO NOT SCALE PRINT. UNLESS SPECIFIED DIMENSIONS IN MM (INCHES) TOLERANCES ON: 1 P L C DEC = 0.25(0.010) 2 P L C DEC = 0.127(0.005) 3 P L C DEC = 0.076(0.003) INCHES = "	DR B-4-91 J INCLINTON CHK B-5-91 S-TRODE	NAME PLUG ASSEMBLY, 50 POSITION, .050 SERIES AMPLIMITE™, TERMINATOR	DRAWING NO 750881
MATERIAL △	APPD B-7-91 P-PARELLIS PRODUCT SPEC -	SIZE D	EAGE CODE 00779
FINISH SHELL: △ CONTACTS: △	APPLICATION SPEC -	SCALE 4:1	SHEET 1 OF 1
WEIGHT		CUSTOMER DRAWING	

27-001-93 10.40.43 om33732 /f11es/vi d/om33732/edmod