

4

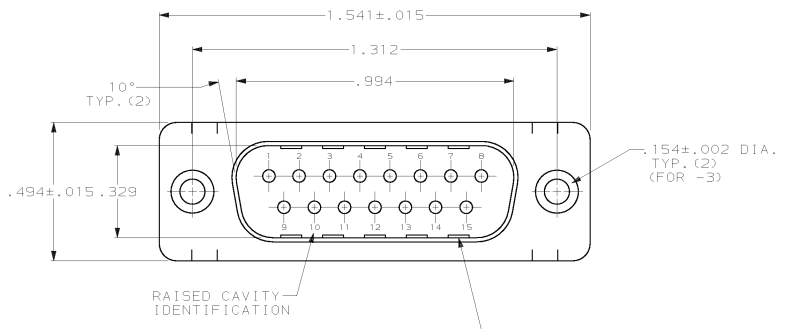
3

2

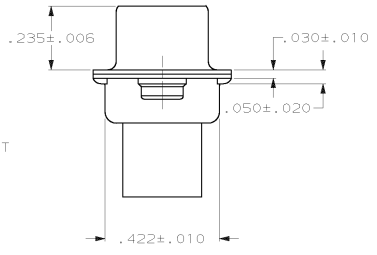
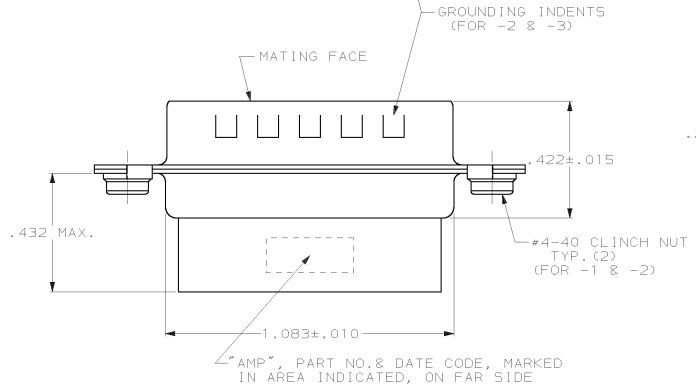
1

THIS DRAWING IS UNPUBLISHED. RELEASED FOR PUBLICATION. BY AMP INCORPORATED. ALL RIGHTS RESERVED.

LOC	QTY	REV	DESCRIPTION	DATE	BY	APP'D
GP	00	F				
		C	REVISED PER EC 0513-0023-03	1-8-81	JG	SB



- CONNECTOR ACCEPTS SIZE 20 DF PIN CONTACTS, RETENTION TINES ARE AN INTEGRAL PART OF INSERT.
 - CONNECTOR COMPLIES WITH AMP SPEC. 108-40005 WHERE APPLICABLE.
- △ FLAME RETARDANT 94V-0 RATED THERMOPLASTIC; COLOR: BLACK.
 - △ STEEL PER ASTM A109.
 - △ TIN PLATED PER MIL-T-10727.



OBSOLETE	NO	YES	745908-3
	YES	YES	745908-2
OBSOLETE	YES	NO	745908-1

CLINCH NUTS	GROUNDING INDENTS	PART NUMBER
		745908-3
		745908-2
		745908-1

THIS DRAWING IS A CONTROLLED DOCUMENT.

DESIGNER: J. GERACE	DATE: 09 JUL 80	AMP AMP Incorporated Harrisburg, PA 17105-3608
CHECKED: J. FULLONI	DATE: 03 AUG 80	
PRODUCT SPEC: -	DATE: 04 AUG 80	PLUG CONNECTOR, SIZE 2, 15 POS, W/CLINCH NUTS, AMPLIMITE HDP
APPLICATION SPEC: -	DATE: -	
MATERIAL: -	REVISION: -	SIZE: A2
FINISH: -	DATE CODE: -	4745908
MATERIAL MOLDED PARTS: △	CUSTOMER DRAWING	SCALE: 4:1 SHEET: 1 OF 1 REV: C

745908
B

A