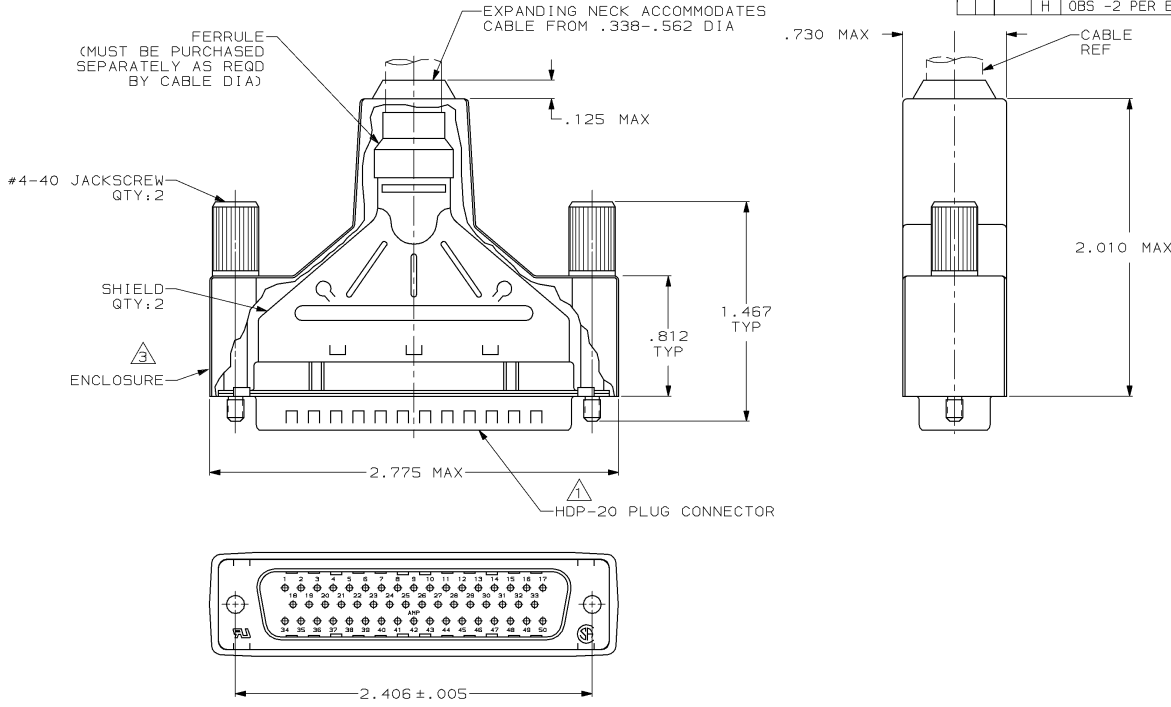


DRAWING MADE IN THIRD ANGLE PROJECTION
 THIS DRAWING IS UNPUBLISHED. RELEASED FOR PUBLICATION .19
 © COPYRIGHT 19 BY AMP INCORPORATED. ALL INTERNATIONAL RIGHTS RESERVED.

LOC	DIST	P	F	ZONE	LTR	DESCRIPTION	DATE	APPD
BD	48							
				G		REVISED PER ECN BD6133	04/02/92	TMS
				H		OBS -2 PER EC 0020-1514-93	04/15/94	LF



- ⚠️ PLUG ACCEPTS SIZE 20 DF PIN CONTACTS. CONTACTS MUST BE PURCHASED SEPARATELY.
- 2. ALL PARTS SHIPPED UNASSEMBLED.
- ⚠️ FLAME RETARDANT 94V-0 RATED, STYRENE POLYOLEFIN OR PVC, BLACK.
- ⚠️ FLAME RETARDANT 94V-0 RATED GLASS FILLED, NYLON OR POLYESTER, BLACK.
- ⚠️ STEEL PER ASTM A109.
- ⚠️ TIN PLATING PER MIL-T-10727.
- ⚠️ ZINC PLATING PER ASTM B633, TYPE II, CLASS SCI, BLACK CHROMATE.
- ⚠️ COMPONENTS INDIVIDUALLY BULK PACKED.
- ⚠️ INDIVIDUAL KIT PACKAGING OF COMPONENTS.

OBsolete	⚠️	W/LOGO	PART NUMBER
OBsolete	⚠️	W/OUT LOGO	747960-2
	⚠️	W/LOGO	747960-1
PACKAGING	REMARKS	PART NUMBER	

DO NOT SCALE PRINT. UNLESS SPECIFIED DIMENSIONS IN INCHES TOLERANCES ON: 2 PLC DEC ± - 3 PLC DEC ± .020 ANGLES ± -		DR 6-5-90 J GALLUCCI BS		AMP INCORPORATED Harrisburg, Pa. 17105	
MATERIAL INSERT: ⚠️ SHELLS & SHIELDS: ⚠️ JACKSCREWS: ZINC ALLOY		CHK 8-31-90 J. McCLINTON			
FINISH SHELLS & SHIELDS: ⚠️ JACKSCREWS: ⚠️		APPD 9-4-90 BOB TAYLOR		NAME	
APPLICATION SPEC		APPD 9-4-90 J. ASSINI		BULK KIT, PLUG, AMPLIMITE™, SHIELDING ENCLOSURE, 50 POSN, SIZE 5, HDP-20	
WEIGHT		SIZE	FSCM NO	DRAWING NO	
		C	00779	747960	
		SCALE	2:1	SHEET 1 OF 1	

AMP 1471-6 REV 3-88
 15-APR-94 15:17:58 amp35397 /files/wip/amp35397/ednmod

CUSTOMER DRAWING

747960