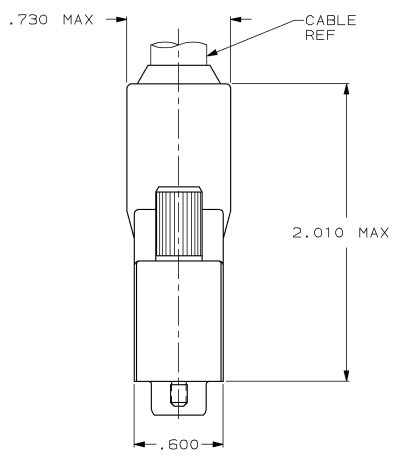
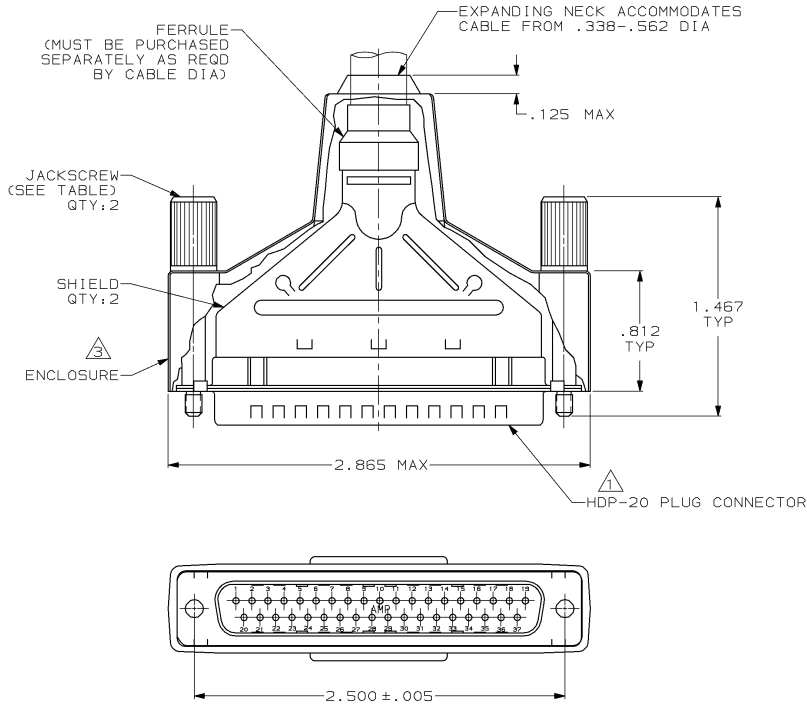


DRAWING MADE IN THIRD ANGLE PROJECTION  
 THIS DRAWING IS UNPUBLISHED. RELEASED FOR PUBLICATION  
 © COPYRIGHT 19 BY AMP INCORPORATED. ALL INTERNATIONAL RIGHTS RESERVED.

LOC	DIST	P	F	ZONE	LTR	DESCRIPTION	DATE	APPD
BD	48					H REVISED PER ECN BD6133	04/02/92	TMS
						J ADDED -4 PER EC 0020-62-96	31 JAN 96	CS



- ⚠️ PLUG ACCEPTS SIZE 20 DF PIN CONTACTS. CONTACTS MUST BE PURCHASED SEPARATELY.
- 2. ALL PARTS SHIPPED UNASSEMBLED.
- ⚠️ FLAME RETARDANT 94V-0 RATED, STYRENE POLYOLEFIN OR PVC, BLACK.
- ⚠️ FLAME RETARDANT 94V-0 RATED GLASS FILLED, NYLON OR POLYESTER, BLACK.
- ⚠️ STEEL PER ASTM A109.
- ⚠️ TIN PLATING PER MIL-T-10727.
- ⚠️ ZINC PLATING PER ASTM B633, TYPE II, CLASS SCI, BLACK CHROMATE.
- ⚠️ COMPONENTS INDIVIDUALLY BULK PACKED.
- ⚠️ INDIVIDUAL KIT PACKAGING OF COMPONENTS.

OBsolete	⚠️	M3	W/LOGO	747958-4
OBsolete	⚠️	-	W/LOGO	747958-3
OBsolete	⚠️	-	W/OUT LOGO	747958-2
	⚠️	4-40	W/LOGO	747958-1
PACKAGING		JACKSCREW THREADS	REMARKS	PART NUMBER

DO NOT SCALE PRINT. UNLESS SPECIFIED DIMENSIONS IN INCHES		DR 6-5-90 J GALLUCCI BG		AMP INCORPORATED Harrisburg, Pa. 17105	
TOLERANCES ON:		CHK 8-31-90 J. McCLINTON			
2 PLC DEC ± -		APPD 9-4-90 BOB TAYLOR		NAME	
3 PLC DEC ± .020		APPD 9-4-90 J. ASSINI		BULK KIT, PLUG, AMPLIMITE™, SHIELDING ENCLOSURE, 37 POSN, SIZE 4, HDP-20	
ANGLES ± -		PRODUCT SPEC		DRAWING NO	
MATERIAL		APPLICATION SPEC		SIZE	
INSERT: ⚠️		-		C	
SHELLS & SHIELDS: ⚠️		-		FSCM NO	
JACKSCREWS: ZINC ALLOY		-		00779	
FINISH		WEIGHT		DRAWING NO	
SHELLS & SHIELDS: ⚠️		-		747958	
JACKSCREWS: ⚠️		-		SHEET	
				1 OF 1	

AMP 1471-6 REV 3-89  
 31-JAN-96 09:59:20 amp35397 /home/srv-0264/dsk01/dep14023/amp35397/edmod

CUSTOMER DRAWING

747958