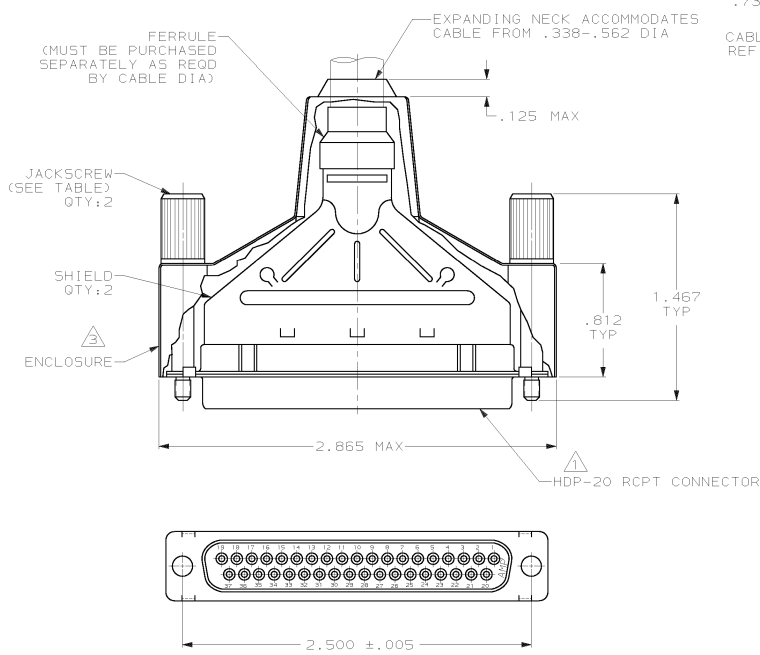


DRAWING MADE IN THIRD ANGLE PROJECTION
 THIS DRAWING IS UNPUBLISHED. RELEASED FOR PUBLICATION .19
 © COPYRIGHT 19 BY AMP INCORPORATED. ALL INTERNATIONAL RIGHTS RESERVED.

REVOLUTIONS					
LOC	DIST	P	F	ZONE	LTR
GP	00				
REVISIONS					
DESCRIPTION	DATE	APPR			
REVISED PER EC 0513-0023-03	14MAY03	JG			



- 1 RCPT ACCEPTS SIZE 20 DF SOCKET CONTACTS. CONTACTS MUST BE PURCHASED SEPARATELY.
- 2. ALL PARTS SHIPPED UNASSEMBLED.
- 3 FLAME RETARDANT 94V-0 RATED, STYRENE POLYOLEFIN OR PVC, BLACK.
- 4 FLAME RETARDANT 94V-0 RATED GLASS FILLED, NYLON OR POLYESTER, BLACK.
- 5 STEEL PER ASTM A109.
- 6 TIN PLATING PER MIL-T-10727.
- 7 ZINC PLATING PER ASTM B633, TYPE II, CLASS SCI, BLACK CHROMATE.
- 8 COMPONENTS INDIVIDUALLY BULK PACKED.
- 9 INDIVIDUAL KIT PACKAGING OF COMPONENTS.
- 10 SEE RESTRICTED CUSTOMER DRAWING 747957-4.

OBSOLETE	3	M3	W/LOGO	747957-5
OBSOLETE	4	-	W/LOGO	747957-3
OBSOLETE	5	-	W/OUT LOGO	747957-2
OBSOLETE	6	4-40	W/LOGO	747957-1
PACKAGING	JACKSCREW THREADS	REMARKS	PART NUMBER	

DO NOT SCALE PRINT. UNLESS SPECIFIED DIMENSIONS IN INCHES TOLERANCES ON : 1. ALL DIMS ± .010 2. PLC DEC ± .020 3. ANGLES ± -	DR 8/4/90 A, STAUB B6 CHK 8-31-90 J. McCLINTON APPD 9-4-90 BOB TAYLOR MATERIAL INSERT: 3 SHELLS & SHIELDS: 5 JACKSCREWS: ZINC ALLOY	AMP INCORPORATED Morgantown, Pa. 17105
FINISH SHELLS & SHIELDS: 7 JACKSCREWS: 8	APPLICATION SPEC - WEIGHT -	BULK KIT, RCPT, AMPLIMIT™, SHIELDING ENCLOSURE, 37 POSN. SIZE 4, HDP-20
SIZE C	PSCM NO 00779	DRAWING NO 747957
SCALE 2:1		SHEET 1 OF 1

747957

A