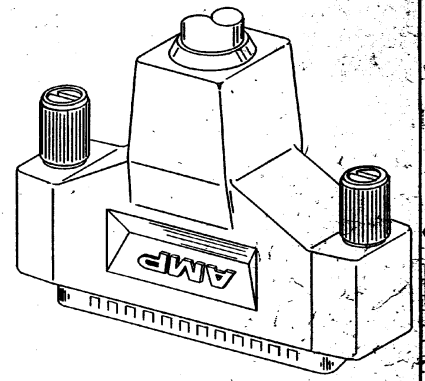
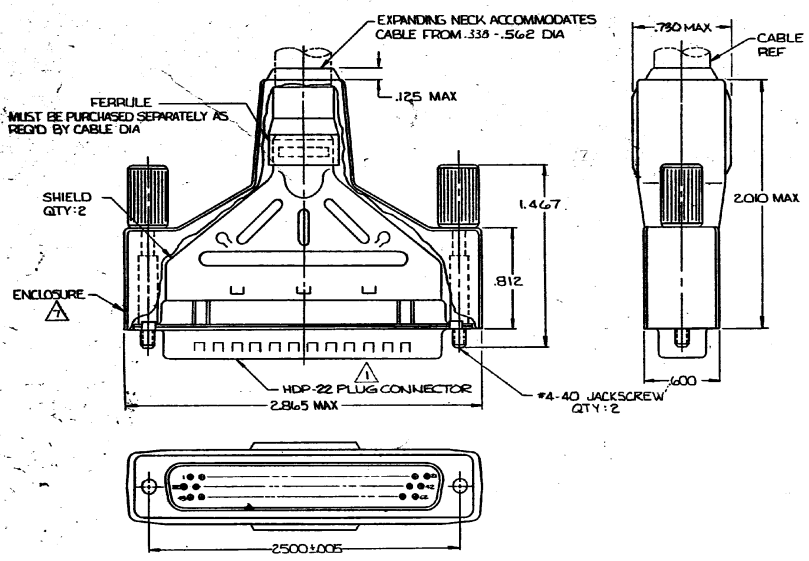


THIS DRAWING IS UNPUBLISHED. RELEASED FOR PUBLICATION. 19
 COPYRIGHT 19 BY AMP INCORPORATED, HARRISBURG, Pa. ALL INTERNATIONAL RIGHTS RESERVED. AMP PRODUCTS MAY BE COVERED BY U.S. AND FOREIGN PATENTS AND/OR PATENTS PENDING.

REVISEMENTS		DATE	APPROVED
Q	RELEASED, WAS 86-5520-4		
A	REVISED - ECN B02507	7/30/87	(Signature)
B	REVISED - ECN B02665	7/30/87	(Signature)
C	REV PER ECN B02528	2/28/88	(Signature)
D	REV PER ECN B04457	10/2/88	(Signature)
E	REVISED PER ECN B06133	4/6/92	TW5



- 1. PLUG ACCEPTS SIZE 22 OF PIN CONTACTS, CONTACTS MUST BE PURCHASED SEPARATELY.
- 2. ALL PARTS SHIPPED UNASSEMBLED, EACH PART INDIVIDUALLY BULK PACKED.
- 3. FLAME RETARDANT 94V-0 RATED, GLASS FILLED, NYLON OR POLYESTER, COLOR: BLACK.
- 4. STEEL PER ASTM A109.
- 5. TIN PLATING PER MIL-T-10727.
- 6. ZINC PLATING PER ASTM B693, TYPE II, CLASS SC1, BLACK CHROMATE.
- 7. FLAME RETARDANT 94V-0 RATED, STYRENE POLYOLEFIN OR PVC; BLACK.

UNLESS OTHERWISE SPECIFIED DIMENSIONS ARE IN INCHES. TOLERANCES ON: DECIMALS ± .020 ANGLES ± .020		CONTRACT NO.		PART NO. 748476-1	
MATERIAL: INSERT: SHELLS + SHIELDS: JACKSCREWS: ZINC ALLOY		DR: 5/10/87 DESIGN: 3/11/87 APPD: 3/16/87 APPD: 3/18/87		AMP AMP INCORPORATED Harrisburg, Pa. 17105	
FINISH: SHELLS + SHIELDS: JACKSCREWS:		NAME: SHIELDING ENCLOSURE KIT, PLUG, SIZE 4, 62 POSN, AMPLIMITE® HDP-22		SIZE: FC8M NO: 00779 DRAWING NO: 748476	
OTHER APPD:		SCALE: 2x		SHEET 1 OF 1	

CUSTOMER DRAWING