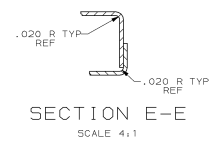
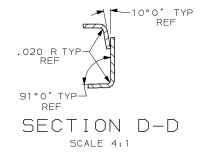
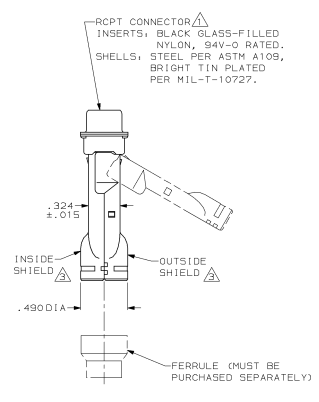
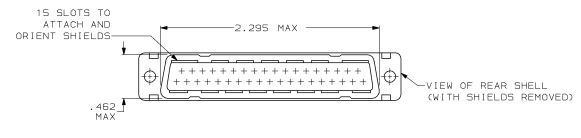
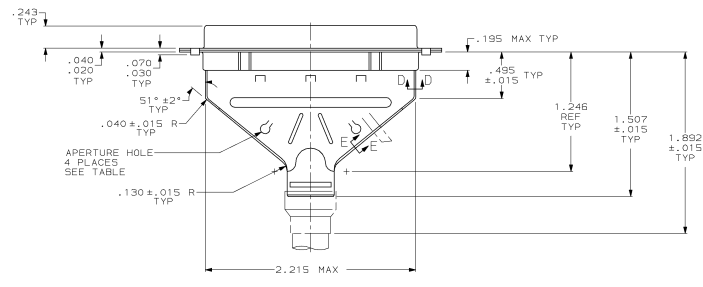
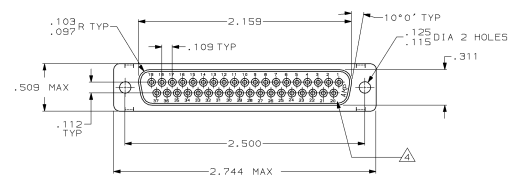


DRAWING MADE IN THIRD ANGLE PROJECTION  
 THIS DRAWING IS UNPUBLISHED. RELEASED FOR PUBLICATION  
 © COPYRIGHT 19 BY AMP INCORPORATED. ALL INTERNATIONAL RIGHTS RESERVED.

REVOLUTIONS		DATE	APPD
A	REDRAWN	6/1/90	-
B	REV PER ECN 804489	12/1/90	-
C	ADDED-2 NPS3889 WAS 91-5789-S-1	6/1/92	TMS
D	OBS -2 PER ECN 805856	6/1/92	TMS
E	REACTIVATED -2 PER NFR 39975	6/1/92	TMS
F	OBS -2 PER EC 0020-724-95	11/1/94	JCS



- △ RCPT ACCEPTS SIZE 20 SOCKET CONTACTS (CONTACTS MUST BE ORDERED SEPARATELY).
- 2. ALL PARTS SHIPPED UNASSEMBLED, EACH PART INDIVIDUALLY BULK PACKED.
- △ SHIELDS: MATERIAL-.020 THICK STEEL, TIN PLATED PER MIL-T-10727.
- △ RAISED CAVITY IDENTIFICATION AND AMP TRADEMARK.

OBSOLETE	WITHOUT	747571-2
	WITH	747571-1
	APERTURE HOLE	PART NUMBER

DO NOT SCALE PRINT. UNLESS SPECIFIED, DIMENSIONS IN MILLIMETERS TO 3 PLACES ON 1/16 INCHES ±.015 INCHES ±.015	DR 6/1/90 A. STAB BG CHK 9-31-90 J. MCELINTON	AMP AMP INCORPORATED Mortgage, Pa. 17109
MATERIAL SEE CALL OUT	APPR 9-4-90 BOB TAYLOR PRODUCT SPEC	
FINISH SEE CALL OUT	APPLICATION SPEC	KIT, RCPT, SHIELDING HARDWARE, SIZE 4, 37 POSN, NOP-20, AMPLIMITE™
WEIGHT	WEIGHT	
	SIZE D	PSOR NO 00779
	SCALE 2:1	DRAWING NO 747571
		SHEET 1 OF 1

CUSTOMER DRAWING