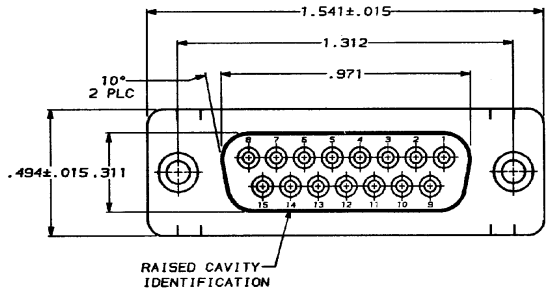
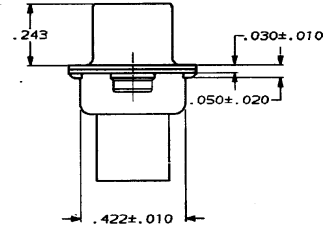
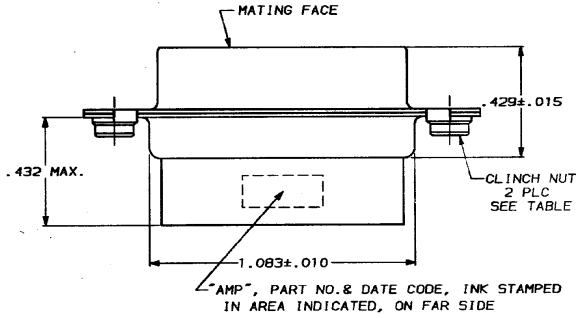


4
3
2
1
DRAWINGS MADE IN THIRD ANGLE PROJECTION
THIS DRAWING IS UNPUBLISHED. RELEASED FOR PUBLICATION
© COPYRIGHT 19 BY AMP INCORPORATED. ALL INTERNATIONAL RIGHTS RESERVED.

REV	DATE	BY	DESCRIPTION	DATE	APPD
0			RELEASED		
01			REVISED ECN-0755	10-15-84	SW
A			ADDED -2 PER NPR 3518	5-19-81	MZ
B			SUPERSEDED -2 PER EC 011D-C280-00	19SEP01	JG



- 1. CONNECTOR ACCEPTS SIZE 20 DF SOCKET CONTACTS. RETENTION TINES ARE AN INTEGRAL PART OF INSERT.
- △ FLAME RETARDANT 94V-0 RATED THERMOPLASTIC, COLOR, BLACK.
- △ STEEL PER QQ-S-698.
- △ TIN PLATED PER MIL-T-10727.



SUPERSEDED BY 205205-1	M-3	745909-2
	4-40	745909-1
	CLINCH NUT	PART NO
	THREAD TYPE	

DO NOT SCALE PRINT. UNLESS SPECIFIED DIMENSIONS ARE IN INCHES. TOLERANCES ON: 2 PLC DEC ± .005 ANGLES ± 2°	OR 7-3-82 J. GERACE CHK 7-3-82 J. GERACE APPD 8-3-82 E. GILL PRODUCT SPEC 108-40005	AMP Incorporated Harrisburg, PA 17105-3808
MATERIAL MOLDED PARTS, △ SHELLS: △	FINISH SHELLS: △	NAME RECEPTACLE CONNECTOR, SIZE 2, 15 POSN, WITH CLINCH NUTS, AMPLIMITE HDP
	APPLICATION SPEC	SIZE C 00779 DRAWING NO 745909
	WEIGHT	SCALE - SHEET 1 OF 1

14 MAY 1981 09:56:02 AMP24229 -C3228-DEPT4022-IMP24229-1.DWG

CUSTOMER DRAWING