

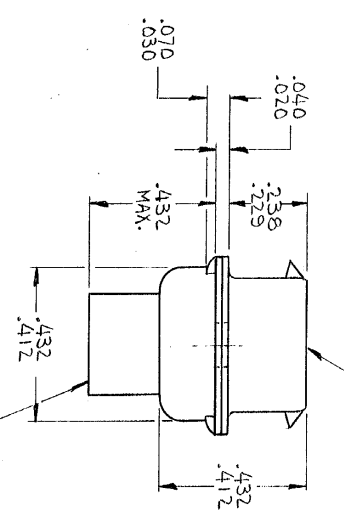
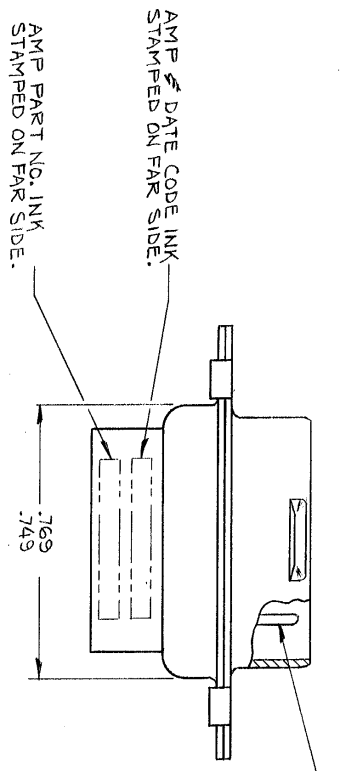
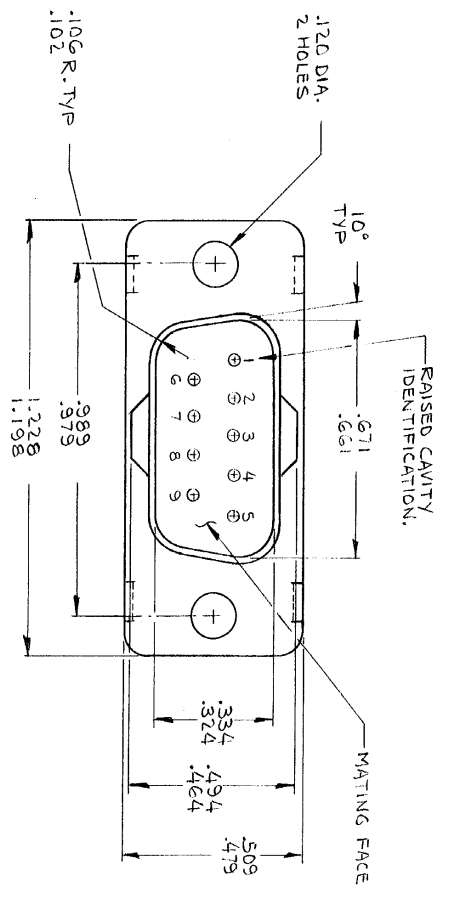
DRAWING MADE IN THIRD ANGLE PROJECTION

Copyright 1978
 All International Rights Reserved AMP, Inc.
 covered by U. S. and Foreign Patents and/or Patents Pending.

745018-1
 OBSOLETE -745018-2

- AS SHOWN
- SAME AS -1 EXCEPT:
 2. IN KIT FORM, ONE CONNECTOR AND NINE SOLDER CUP CONTACTS PER POLY BAG.

REVISIONS		DATE APPROVED	LOC	QST
P	F	DESCRIPTION		
0	1	RELEASE	5/884	WKS
0	2	OBSOLETE -2 PER EN 1430		



SHELL MAT'L: STEEL PER QQ-S-698,
 ZINC PLATED PER QQ-Z-325, TYPE II,
 CLASS 3; YELLOW CHROMATE.

INSERT MAT'L: GLASS FILLED SELF
 EXTINGUISHING BLACK NYLON.

- THIS PLUG ACCEPTS SIZE 20 PIN CONTACTS AND CONFORMS TO AMP SPEC 108-10020 WHERE APPLICABLE.
- MAXIMUM WIRE INSULATION RECOMMENDED FOR USE WITH THIS PLUG IS .068 DIA. MAX.
- CONTACTS ARE SHOWN FOR ILLUSTRATION ONLY AND ARE NOT PART OF CONNECTOR PACKAGE, MUST BE ORDERED SEPARATELY OR IN KIT FORM.
- INSERTION/EXTRACTION TOOL AMP P/N 91067-3 IS RECOMMENDED FOR USE WITH THIS PLUG.
- CONTACT RETENTION TIMES ARE AN INTEGRAL PART OF INSERT.

UNLESS OTHERWISE SPECIFIED DIMENSIONS ARE IN INCHES. TOLERANCES ON: DECIMALS ±.005 ANGLES ±.2°		CONTRACT NO.		PART NO.	
SEE CALLOUT		DR 47779		AMP INCORPORATED Harrisburg, Pa.	
SEE CALLOUT		GTR 82179		NAME	
FINISH SEE CALLOUT		APRO 82619		PLUG CONNECTOR, SIZE 1, 9 POSITION, SERIES HDP (SPECIAL)	
MATERIAL		APRO 82619		SIZE CODE IDENT NO/DRAWING NO	
OTHER APPO		APRO 82619		SCALE	
SEE CALLOUT		OTHER APPO		C 00779	
				745018	
				SHEET	

CUSTOMER DRAWING

AMP 1471-6 REV 12-78

745018