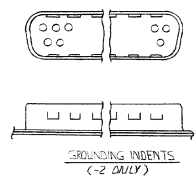
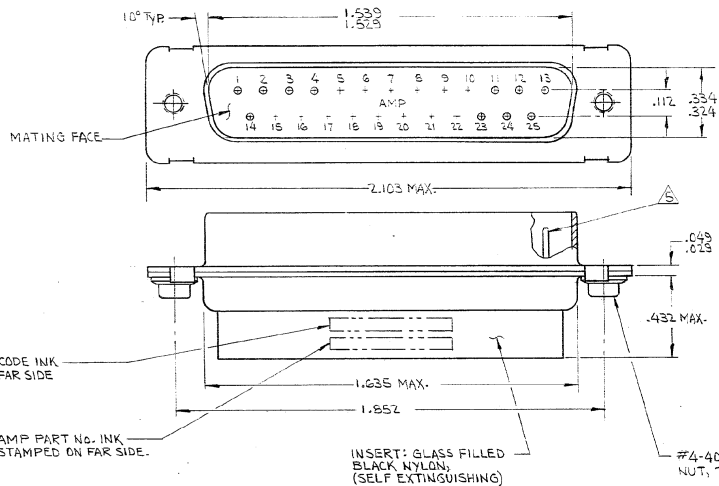


© Copyright 1962, 81, 82 by AMP INCORPORATED, HARRISBURG, PA. ALL INTERNATIONAL RIGHTS RESERVED. AMP INCORPORATED PRODUCTS COVERED BY U. S. AND FOREIGN PATENTS AND/OR PATENTS PENDING.

OBSOLETE 745036-1
OBSOLETE 745036-2
OBSOLETE 745036-3

1. AS SHOWN
 1. SAME AS -1 EXCEPT:
 2. PLUG FRONT HAS GROUNDING INDENTS AS SHOWN ON DETAIL
 3. SHELL FINISH IS *Qq-Z-325* TYPE II, CLASS 3, BRIGHT NICKLE FLASH
 1. SAME AS -2 EXCEPT:
 2. PLUG FRONT SHELL DOES NOT HAVE GROUNDING INDENTS

REVISIONS				DATE	APPROVED	
P	F	ZONE	LT/R	DESCRIPTION	DATE	APPROVED
		A		REVISED PER EC 0813-0023-03	HANDED	JG



SHELL: STEEL, ZINC PLATED PER *Qq-Z-325*, TYPE II, CLASS 3, YELLOW CHROMATE.

- THIS PLUG WILL MATE WITH ANY SIZE 3, 25 POS. RECEPTACLE IN AMPLIMITE SERIES & CONFORMS TO AMP SPEC 108-10,020.
- THIS PLUG ACCEPTS SIZE 20 PIN CONTACTS. RETENTION TINES ARE AN INTEGRAL PART OF INSERT.
- WIRE INSULATION SIZE OF .068 DIA. MAX. IS RECOMMENDED FOR USE WITH THIS PLUG.
- AMP TOOL No. 91067-2 IS RECOMMENDED FOR INSERTION / REMOVAL OF CONTACTS.
- CONTACTS ARE SHOWN FOR ILLUSTRATION ONLY, NOT PART OF CONNECTOR PACKAGE, MUST BE ORDERED SEPARATELY.

UNLESS OTHERWISE SPECIFIED DIMENSIONS ARE IN INCHES. TOLERANCES ON DECIMALS ANGLES		CONTRACT NO.	PART NO.
MATERIAL		DR <i>11/70</i>	AMP INCORPORATED Harrisburg, Pa.
SEE CALLOUT		CHKD <i>11/70</i>	
FINISH		APPR <i>1-18-80</i>	NAME PLUG, SIZE 3, 25 POSITION; AMPLIMITE HDP/20 SERIES (W/ 4-40 CLINCH NUTS)
SEE CALLOUT		APPR <i>1-19-80</i>	
OTHER APPR		DSGN APPR	SIZE CODE IDENT NO DRAWING NO
			C 00779 745036
			SCALE SHEET

CUSTOMER DRAWING

745036