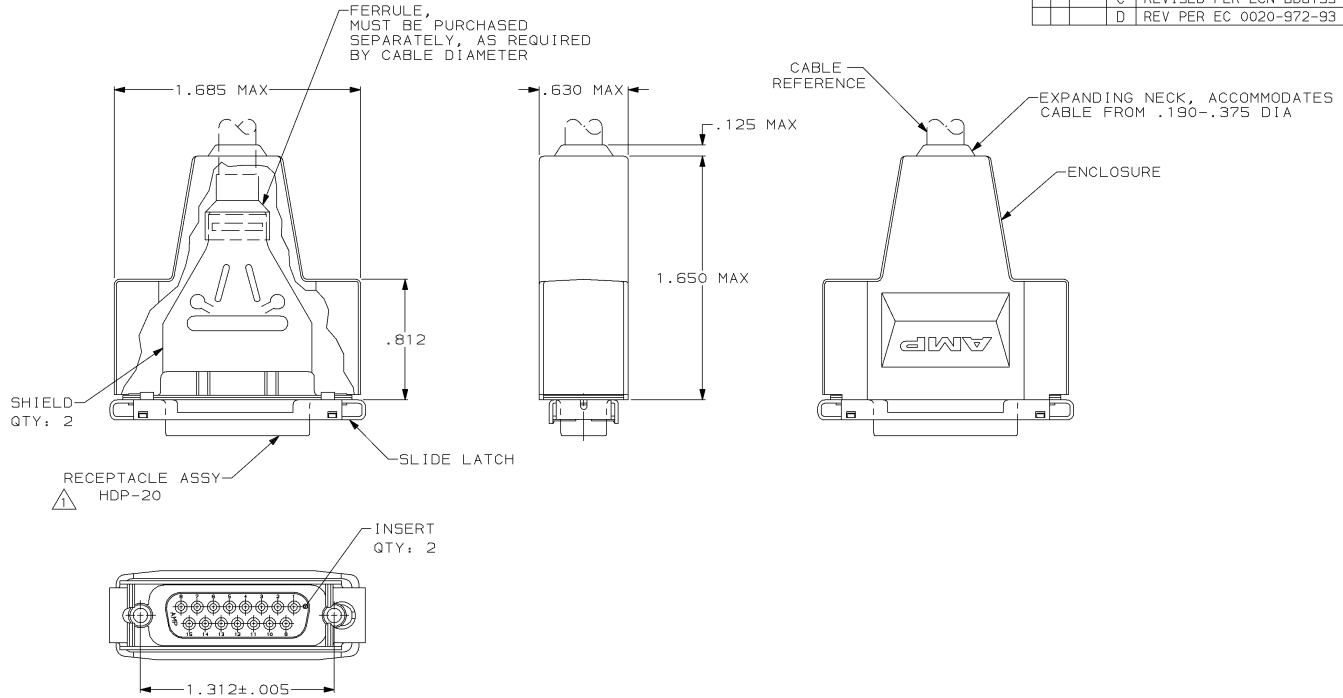


DRAWING MADE IN THIRD ANGLE PROJECTION

THIS DRAWING IS UNPUBLISHED. RELEASED FOR PUBLICATION
 © COPYRIGHT 19 BY AMP INCORPORATED. ALL INTERNATIONAL RIGHTS RESERVED.

LOC	DIST	P	F	ZONE	LTR	DESCRIPTION	DATE	APPD
BD	48				0	RELEASED PER NPR 2229	11-9-88	-
					A	REV PER ECN BD4814	05/31/91	-
					B	REV PER ECN BD5049	7-2-91	TMS
					C	REVISED PER ECN BD6133	04/06/92	TMS
					D	REV PER EC 0020-972-93	07/27/93	SB



- 1. RECEPTACLE ACCEPTS SIZE 20 DF SOCKET CONTACTS. CONTACTS MUST BE PURCHASED SEPARATELY.
- 2. ALL PARTS SHIPPED UNASSEMBLED.
- 3. COMPONENTS INDIVIDUALLY BULK PACKAGED.
- 4. ELASTOMER, STYRENE POLYOLEFIN, OR PVC, BLACK.
- 5. STAINLESS STEEL PER ASTM A167.
- 6. FLAME RETARDANT, 94V-0 RATED, GLASS FILLED, NYLON, BLACK.
- 7. CARBON STEEL PER ASTM A109.
- 8. .000200 MIN TIN OVER .000050 MIN COPPER, PER MIL-T-10727.

		749246-1	
		PART NO	
DO NOT SCALE PRINT. UNLESS SPECIFIED DIMENSIONS IN INCHES TOLERANCES ON: 2 PLC DEC # - 3 PLC DEC # .020 ANGLES ± -		DR 11-9-88 W.G. LENKER	AMP AMP INCORPORATED Hartford, Pa. 17105
MATERIAL: INSERTS: ENCLOSURE: SLIDE LATCH: SHIELDS & SHELLS:		CHK 12-12-88 J. McCLINTON	
FINISH: SHELLS: SHIELDS:		APPD 12-14-88 R. WHYNE	NAME SHIELDING ENCLOSURE KIT, RECEPTACLE, SIZE 2, 15 POSITION, WITH PREASSEMBLED SLIDE LATCH, AMPLIMITE® HDP-20
		APPD 12-14-88 J. SHOWERS	DRAWING NO 749246
		PRODUCT SPEC -	SIZE 00779
		APPLICATION SPEC -	SCALE 2:1
		WEIGHT -	SHEET 1 OF 1

CUSTOMER DRAWING