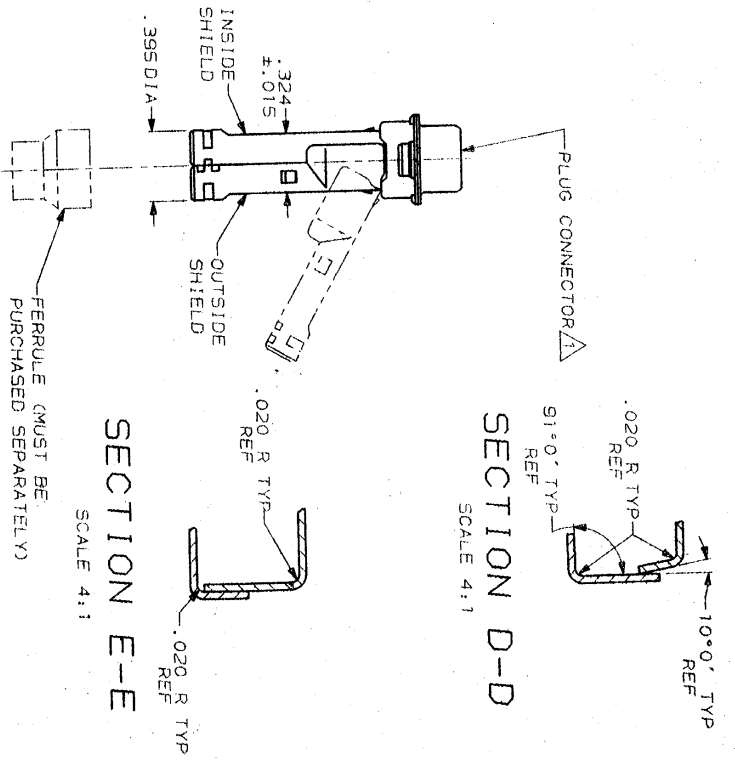
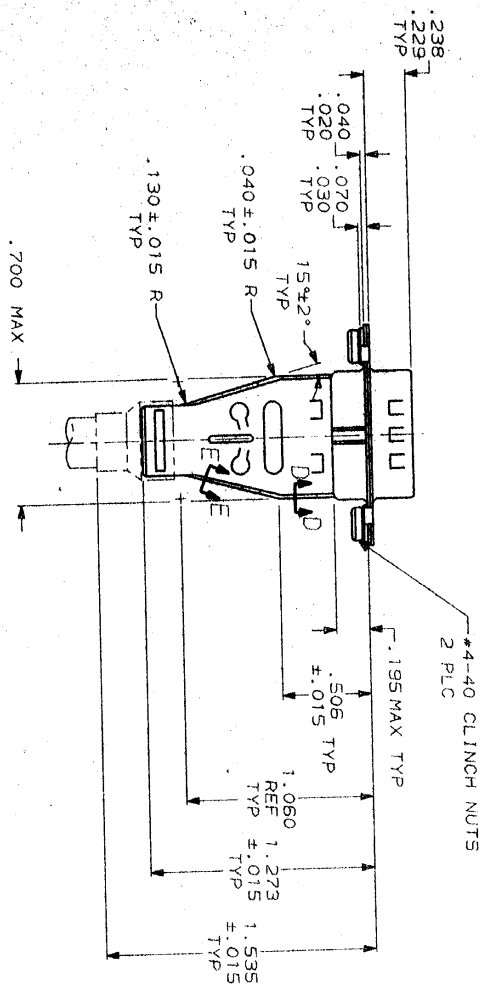
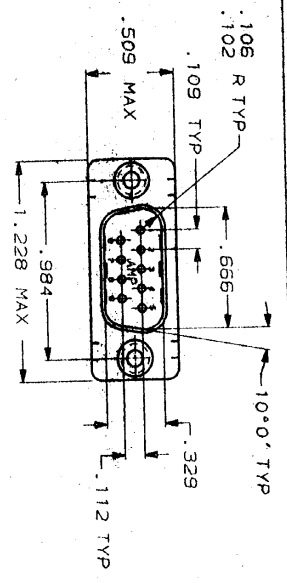


DRAWING MADE IN THIRD ANGLE PROJECTION
 THIS DRAWING IS UNPUBLISHED. RELEASED FOR PUBLICATION
 BY AMP INCORPORATED. ALL INTERNATIONAL RIGHTS RESERVED.
 COPYRIGHT 19



REV	DATE	DESCRIPTION
2	6-8-90	REV PER ECU B05049
1		
0		

△ PLUG ACCEPTS SIZE 20 PIN CONTACTS (CONTACTS MUST BE ORDERED SEPARATELY).

2. ALL PARTS SHIPPED UNASSEMBLED, EACH PART INDIVIDUALLY BULK PACKED.

△ FLAME RETARDANT, 94V-0 RATED, GLASS FILLED NYLON OR POLYESTER, BLACK.

△ TIN PLATED PER MIL-T-10727.

△ STEEL PER ASTM A109.

DO NOT SCALE PRINT. DIMENSIONS SPECIFIED UNLESS OTHERWISE NOTED. DIMENSIONS IN INCHES. TOLERANCES ON:	DR 6-8-90 J GALUCCT B6	NAME	AMP INCORPORATED AMP MODEL 20-1770S
1. ALL DIMENSIONS UNLESS OTHERWISE SPECIFIED	CHK J HEDINTON	SIZE	FSOH NO
2. .005	APRD 8-7AVLDR	SCALE	00779
3. .010	APPD 9-4-90	DRAWING NO	748526
4. .015	APPD 9-4-90	SHEET	1 OF 1
5. .020	PRODUCT SPEC		
FINISH: SHELLS & SHIELDS: △	APPLICATION SPEC		
WEIGHT			

748526-1
PART NUMBER

SECTION E-E
SCALE 4:1

SECTION D-D
SCALE 4:1

CUSTOMER DRAWING

748526