

THIS DRAWING IS UNPUBLISHED. RELEASED FOR PUBLICATION  
 BY AMP INCORPORATED, HARRISBURG, PA. ALL INTERNATIONAL RIGHTS  
 RESERVED. AMP PRODUCTS MAY BE COVERED BY U.S. AND FOREIGN PATENTS AND/OR PATENT PENDING.

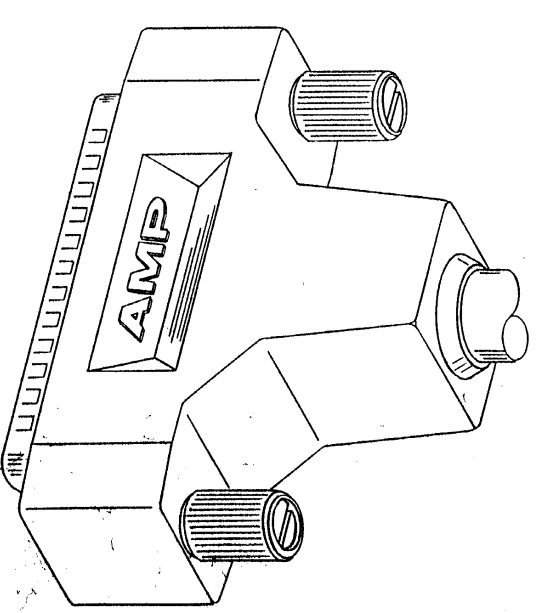
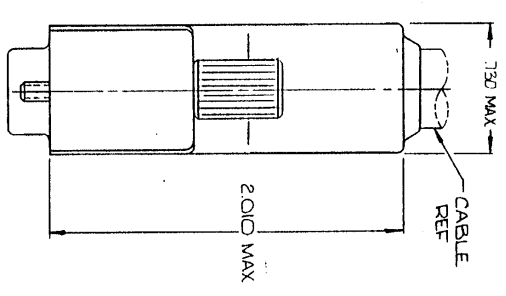
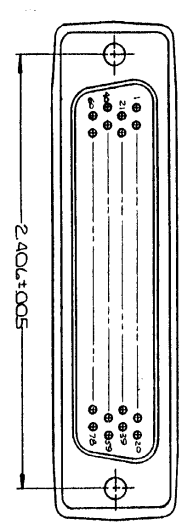
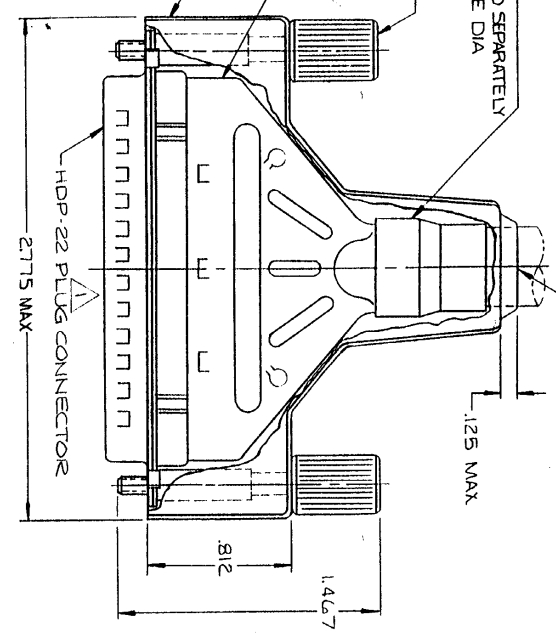
EXPANDING NECK ACCOMMODATES  
 CABLE FROM .338 - .562 DIA

FERRULE  
 MUST BE PURCHASED SEPARATELY  
 AS REQ'D BY CABLE DIA

#4-40 JACKSCREW  
 QTY: 2

SHIELD  
 QTY: 2

ENCLOSURE



REVISIONS			1
P	ZONE/LTR	DESCRIPTION	DATE APPROVED
1		RELEASED WAS 86-5520-5	
2	A	REVISED - ECM BD 2607	1/30/88 RW
3	B	REV PER ECM BD 2328	2/17/88 RW
4	C	REV PER ECM BD 4294	4-24-88
5	D	REVISED PER ECM BD 6133	4-6-92 TMS

1. PLUG ACCEPTS SIZE 22 DF PIN CONTACTS, CONTACTS MUST BE PURCHASED SEPARATELY.
2. ALL PARTS SHIPPED UNASSEMBLED, EACH PART INDIVIDUALLY BULK PACKED.
3. FLAME RETARDANT 94V-0 RATED, GLASS-FILLED NYLON, COLOR: BLACK.
4. STEEL PER ASTM A109.
5. TIN PLATING PER MIL-T-10727.
6. ZINC PLATING PER ASTM B633, TYPE II, CLASS SCI, BLACK CHROMATE.
7. FLAME RETARDANT 94V-0 RATED, STYRENE POLYOLEFIN OR PVC, COLOR: BLACK.

UNLESS OTHERWISE SPECIFIED DIMENSIONS ARE IN INCHES. TOLERANCES ON: DECIMALS ± .020 ANGLES		CONTRACT NO. DR 4-28-97	
MATERIAL: JACKSCREWS: ZINC ALLOY		CHK: 4-30-87	
FINISH: JACKSCREWS: ZINC ALLOY		APP: 4-30-87	
OTHER APPROV: DR 4-30-87		APP: 4/30/87	
NAME: SHIELDING ENCLOSURE KIT, PLUG, SIZE 7, 78 POSN, AMPLIMITE HDP-22		SCALE: 2:1	
AMP AMP INCORPORATED Harrisburg, Pa. 17105		FSCM NO: 00779	
PART NO: 748477-1		DRAWING NO: 748477	
SHEET 1 OF 1		CUSTOMER DRAWING	