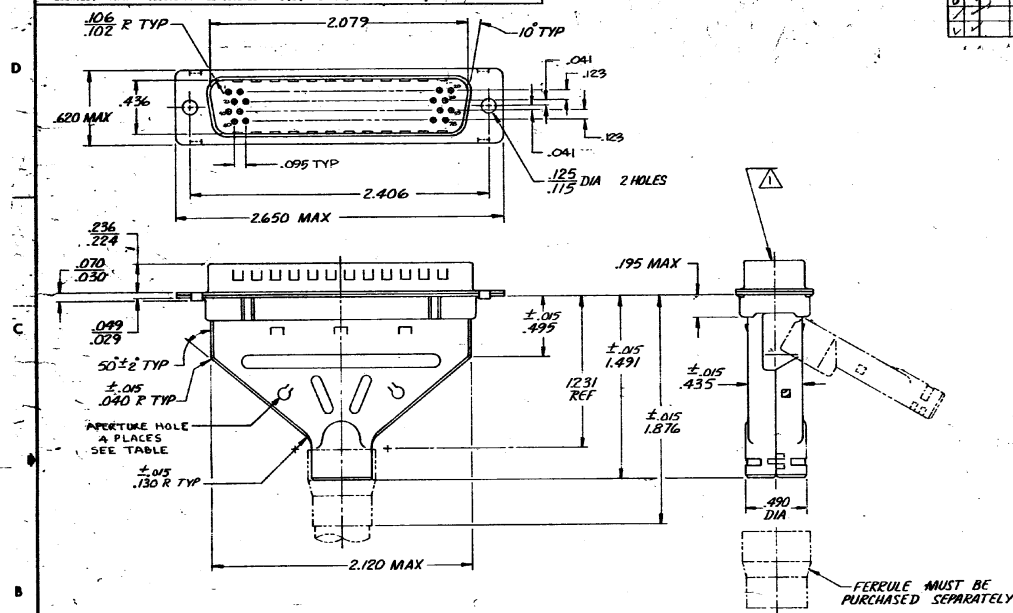


THIS DRAWING IS UNPUBLISHED. RELEASED FOR PUBLICATION
 © COPYRIGHT 19 BY AMP INCORPORATED, HARRISBURG, PA. ALL INTERNATIONAL RIGHTS RESERVED. AMP PRODUCTS MAY BE COVERED BY U.S. AND FOREIGN PATENTS AND/OR PATENTS PENDING.

REVISIONS			
REV	DATE	DESCRIPTION	APPROVED
D	7/7	RELEASED WAS 26-5518-S	
A		REV PER ECU 204214	1-14-8
B		RELEASED - 2 APR 38 26 W5 115518-N	2-18-4 JMAS



- ⚠️ PLUG ACCEPTS SIZE 22 PIN CONTACTS (CONTACTS MUST BE ORDERED SEPARATELY).
- 2. ALL PARTS SHIPPED UNASSEMBLED. EACH PART INDIVIDUALLY BULK PACKED.
- ⚠️ FLAME RETARDANT 94V-0 RATED GLASS-FILLED NYLON, COLOR: BLACK.

WITHOUT	748472-2
WITH	748472-1
APERTURE HOLE	PART NO

UNLESS OTHERWISE SPECIFIED DIMENSIONS ARE IN INCHES.		CONTRACT NO	
TOLERANCES ON:		DR	
DECIMALS ± .005		428-97	
ANGLES ± 0° 30'		CWP	
MATERIAL: HOUSING - 2		DATE	
SHELLS - CS PER ASTM A109		D NED 430 87	
SHIELDS - STEEL PER ASTM A109		APPD	
FINISH: SHELLS AND SHIELDS - TIN PLATED PER MIL-T-10727		DSGN APPD	
		OTHER APPD	
		SPEC	
		PFCM NO	
		DRAWING NO	
		00779	
		748472	
		SHEET 1 of 1	

CUSTOMER DRAWING

AMP 1471-12 REV 3-81