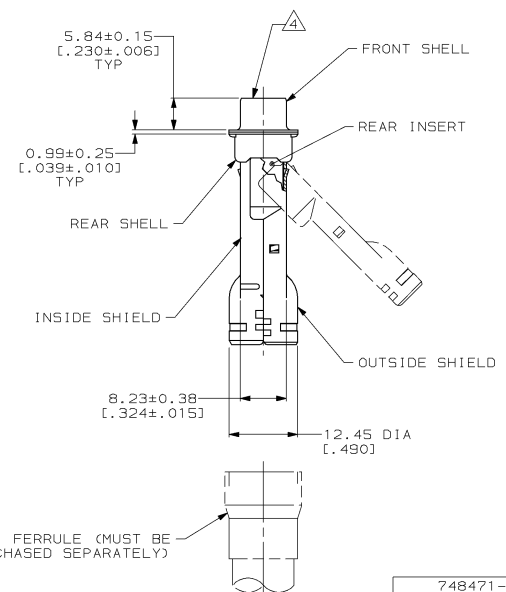
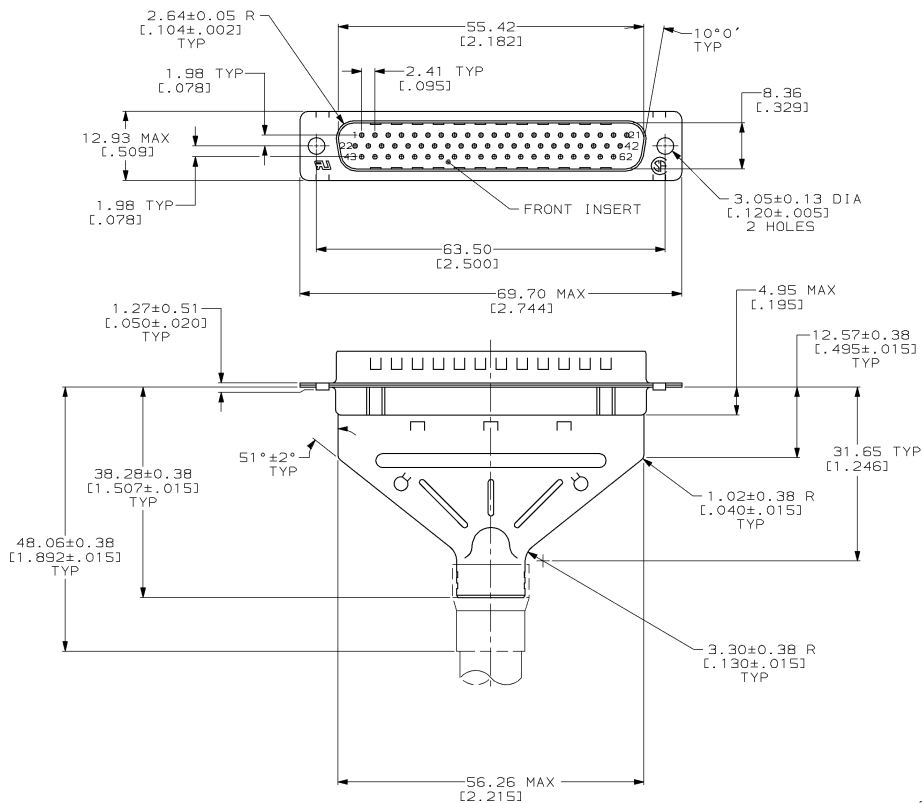


THIS DRAWING IS UNPUBLISHED.		RELEASES FOR PUBLICATION		BY AMP INCORPORATED. ALL RIGHTS RESERVED.	
LOC	Q181	REVISIONS			
BD	48	P LTR	DESCRIPTION	DATE	BY
		B	REDRAWN W/O CHANGE PER EC 0020-1094-95	02 NOV 95	-



- ⚠ INSERTS: NYLON, BLACK, UL 94V-0 RATED.
- ⚠ SHELLS & SHIELDS: CARBON STEEL PER ASTM A109.
- ⚠ SHELLS & SHIELDS: 5.08µm [.000200] MIN TIN OVER
2.54µm [.000100] MIN COPPER.
- ⚠ TIN PLATING PER MIL-T-10727.
- ⚠ PLUG ACCEPTS SIZE 22 PIN CONTACTS. (CONTACTS MUST BE PURCHASED SEPARATELY).

748471-1
PART NUMBER

<small>THIS DRAWING IS UNPUBLISHED. ALL RIGHTS RESERVED.</small> DIMENSIONS IN PARENTHESES ARE FOR INFORMATION ONLY.		DUN D. HARDY 02 NOV 95 CHK S. STONE 17 NOV 95	NAME AMP AMP Incorporated Harrisburg, PA 17105-3608
DIMENSIONS mm (INCHES)	DIMENSIONS INCHES (MM)	P/P/S PRODUCT SPEC	PLUG KIT, UNASSEMBLED, SHIELDING HARDWARE, SIZE 4, 62 POSN, HDP-22, AMPLIMITE
MATERIAL ⚠	FINISH ⚠ ⚠	APPLICATION SPEC REF: -	SIZE A2 00779
CUSTOMER DRAWING		SCALE 2:1	DRAWING NO 748471

748471