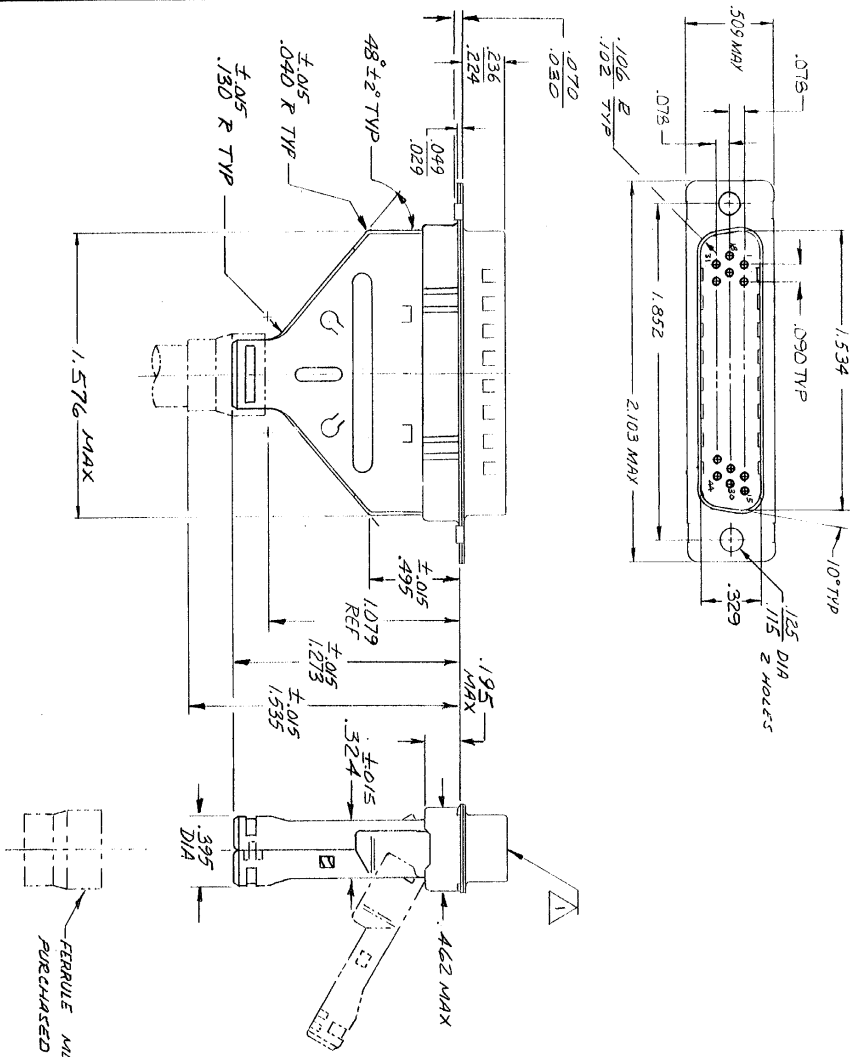


THIS DRAWING IS UNPUBLISHED. RELEASED FOR PUBLICATION.
 © COPYRIGHT 19 BY AMP INCORPORATED, HARRISBURG, PA. ALL INTERNATIONAL RIGHTS RESERVED. AMP PRODUCTS MAY BE COVERED BY U.S. AND FOREIGN PATENTS AND/OR PATENTS PENDING.



FERRULE MUST BE PURCHASED SEPARATELY.

- 1. PLUG ACCEPTS SIZE 22 PIN CONTACTS (CONTACTS MUST BE ORDERED SEPARATELY).
- 2. ALL PARTS SHIPPED UNASSEMBLED. EACH PART INDIVIDUALLY BULK PACKED.
- 3. FLAME RETARDANT 94V-0 GLASS FILLED NYLON, COLOR: BLACK

REVISIONS		LOG	DIST
P.F.	ZONE/LTR	DESCRIPTION	DATE
0	0	RELEASED WAS EC-5518-3	
1	A	REVIEW ECN 00 9294	9-24-90

UNLESS OTHERWISE SPECIFIED DIMENSIONS ARE IN INCHES. TOLERANCES ON: DIMENSIONS ±.005 ANGLES ±0.30°		CONTRACT NO	
MATERIAL FINISHING: A SHIELDS: C PER ASTM 109 SHIELDS: STEEL PER ASTM A104		DR: 4-28-87 CHK: P. L. L. 4-30-87	
FINISH: SHIELDS AND SHIELDS PLATED PER MIL-T-10727		APP: N.C. 4-30-87 APP: K. K. 4-30-87	
AMP AMP INCORPORATED HARRISBURG, PA. 17105		DESIGN APPD	
NAME: KIT, PLUG, SHIELDING HARDWARE 44 POSN, SIZE 3, AMPLIMITE® HDP-22		OTHER APPD	
SIZE: C	FSCM NO: 00779	DRAWING NO: 748470	PART NO: 748470-1
SCALE: 2:1		SHEET: 1 of 1	

748470