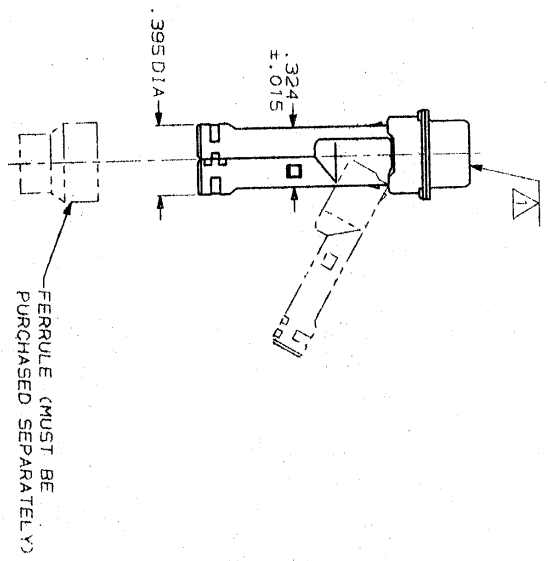
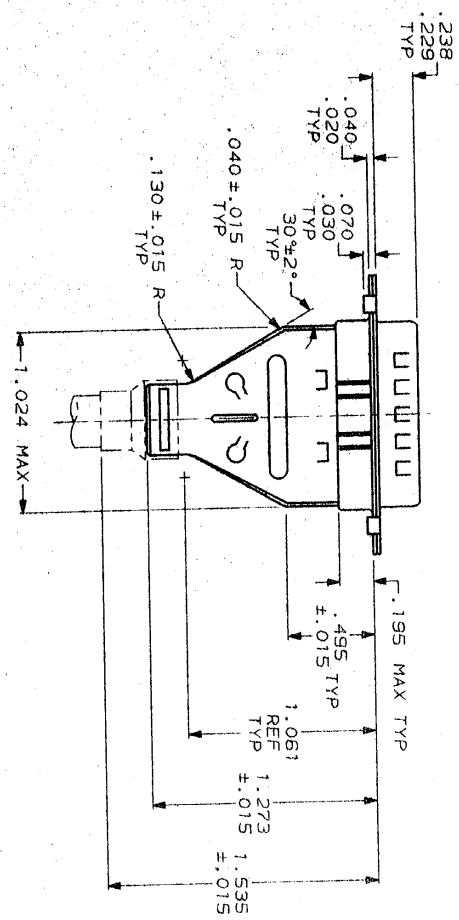
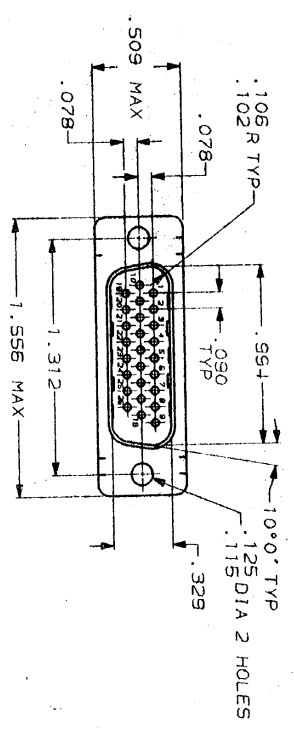


DRAWING MADE IN THIRD ANGLE PROJECTION
 THIS DRAWING IS UNLESS OTHERWISE SPECIFIED
 BY AMP INCORPORATED. ALL INTERNATIONAL RIGHTS RESERVED.

REVOLUTIONS		DATE	APP'D
2	BD 39	7-2-91	[Signature]
DESCRIPTION		DATE	APP'D
REDRAWN AND REV EON B05049		7-2-91	[Signature]



- 1. PLUG ACCEPTS SIZE 22 PIN CONTACTS (CONTACTS MUST BE ORDERED SEPARATELY).
- 2. ALL PARTS SHIPPED UNASSEMBLED, EACH PART INDIVIDUALLY BULK PACKED.
- 3. FLAME RETARDANT 94V-0 GLASS FILLED NYLON, BLACK.

DO NOT SCALE PRINT. UNLESS SPECIFIED OTHERWISE, DIMENSIONS IN INCHES		DR 7-2-91	CHK R. SHREVE
2 PLG DEC ± .005		8-2-91	[Signature]
3 PLG DEC ± .005		8-1-91	[Signature]
MATERIAL HOUSING: A109		APP'D [Signature]	NAME [Signature]
SHELLS: CS PER ASTM A109		PROD [Signature]	DATE 8-1-91
SHIELDS: STEEL PER ASTM A109		SPEC [Signature]	
FINISH: SHELLS & SHIELDS: TIN PLATED PER MIL-T-10727	APPLICATION SPEC	SIZE: FSCM NO. 00779	DRAWING NO. 748469
WEIGHT	SCALE: 2:1	SHEET: 1 OF 1	

748469-1
PART NUMBER

748469

CUSTOMER DRAWING