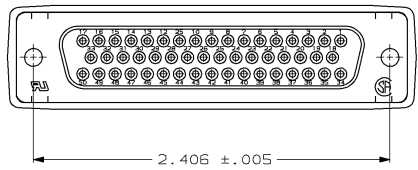
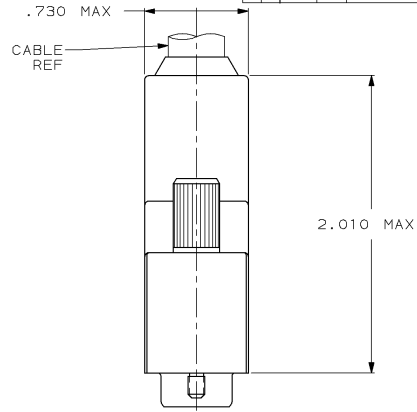
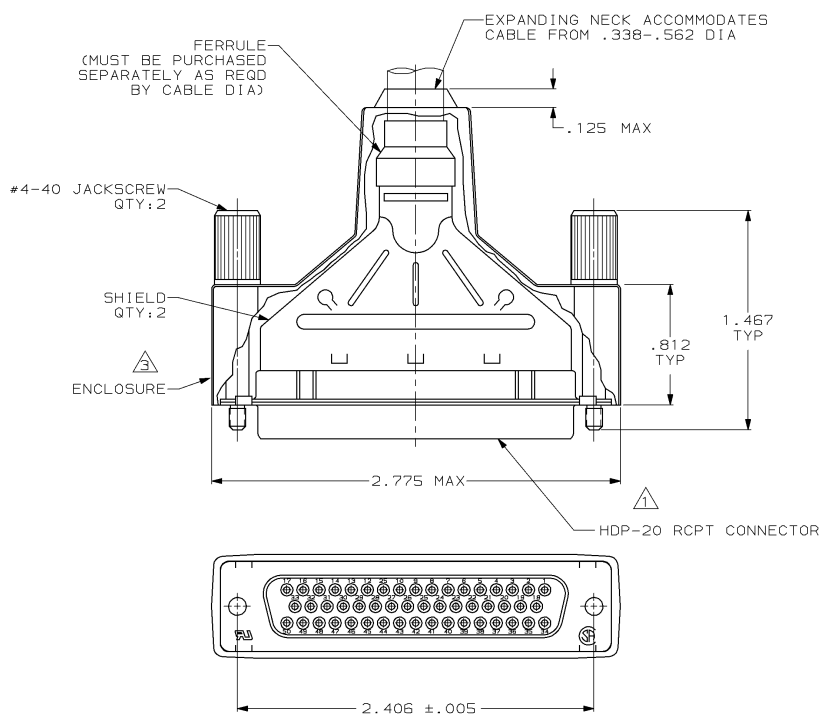


DRAWING MADE IN THIRD ANGLE PROJECTION
 THIS DRAWING IS UNPUBLISHED. RELEASED FOR PUBLICATION
 © COPYRIGHT 19 BY AMP INCORPORATED. ALL INTERNATIONAL RIGHTS RESERVED.

LOC	DIST	P	F	ZONE	LTR	DESCRIPTION	DATE	APPD
BD	48							
					G	REV PER ECN BD4493	12/19/90	-
					H	REVISED PER ECN BD6133	04/02/92	TMS
					J	ADDED -4 PER NPR 4258	07/08/92	SB
					K	OBS -4 PER 0420-143-96	10 NOV 97	SB



- ⚠ RCPT ACCEPTS SIZE 20 DF SOCKET CONTACTS. CONTACTS MUST BE PURCHASED SEPARATELY.
- 2. ALL PARTS SHIPPED UNASSEMBLED.
- ⚠ FLAME RETARDANT 94V-0 RATED, STYRENE POLYOLEFIN OR PVC, BLACK.
- ⚠ FLAME RETARDANT 94V-0 RATED GLASS FILLED, NYLON OR POLYESTER, BLACK.
- ⚠ STEEL PER ASTM A109.
- ⚠ TIN PLATING PER MIL-T-10727.
- ⚠ ZINC PLATING PER ASTM B633, TYPE II, CLASS SCI, BLACK CHROMATE.
- ⚠ COMPONENTS INDIVIDUALLY BULK PACKED.
- ⚠ INDIVIDUAL KIT PACKAGING OF COMPONENTS.
- ⚠ SEE RESTRICTED CUSTOMER DRAWING 747959-4.

PACKAGING	REMARKS	PART NUMBER
⚠	W/LOGO	747959-3
⚠	W/OUT LOGO	747959-2
⚠	W/LOGO	747959-1

DO NOT SCALE PRINT. UNLESS SPECIFIED DIMENSIONS IN INCHES TOLERANCES ON: 2 PLC DEC # - 3 PLC DEC # .020 ANGLES ± -		DR 6/5/90 A. STAUB BG		AMP AMP INCORPORATED Harrisburg, Pa. 17105	
MATERIAL INSERT: ⚠ SHELLS & SHIELDS: ⚠ JACKSCREWS: ZINC ALLOY		CHK 8-31-90 J. McCLINTON			
FINISH SHELLS & SHIELDS: ⚠ JACKSCREWS: ⚠		APPD 9-4-90 BOB TAYLOR		NAME	
APPLICATION SPEC		APPD 9-4-90 J. ASSINI		BULK KIT, RCPT, AMPLIMITE™, SHIELDING ENCLOSURE, 50 POSN, SIZE 5, HDP-20	
WEIGHT -		SIZE C	FSCM NO 00779	DRAWING NO 747959	
		SCALE 2:1	SHEET 1 OF 1		

AMP 1471-6 REV 3-89
 10-NOV-97 13:01:04 amp08242 /home/srv-0264/dsk04/dept4129/amp08242/edmod

CUSTOMER DRAWING

747959