

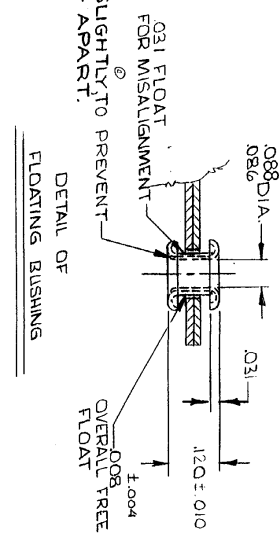
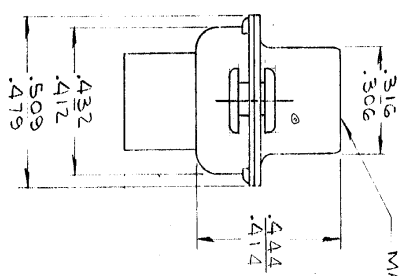
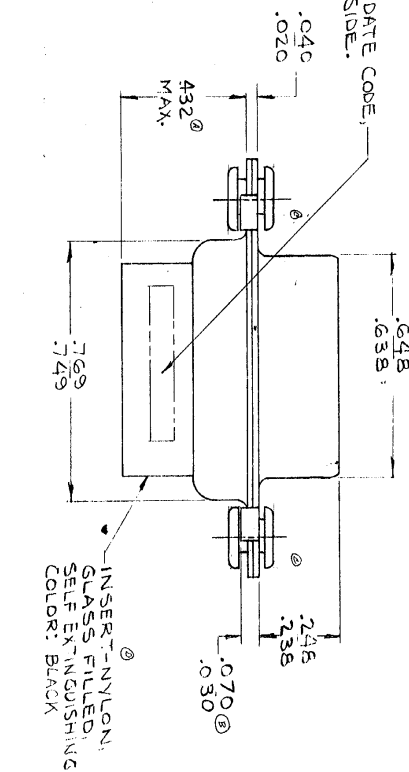
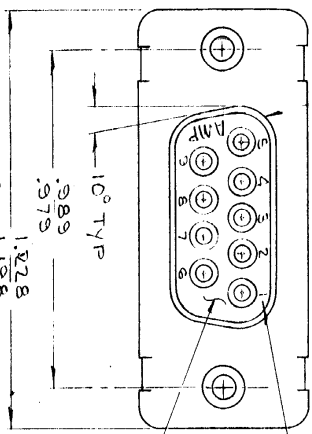
DRAWING MADE IN AMERICAN PRODUCTION  
 © 1971 BY AMP INCORPORATED. ALL RIGHTS RESERVED. AMP PRODUCTS COVERED BY PATENTS AND OR PATENTS PENDING.

205439-1

OBSELETE - 205439-2

- 1. AS SHOWN
- 2. MAT'L SHEETS STEEL PER QQ-S-698
- 3. ZINC PLATED PER QQ-Z-325 TYPE II, CLASS 3
- 4. YELLOW CHROMATE
- 1. SAME AS -1 EXCEPT:
- 2. MAT'L SHEETS, BRASS (NON/MAGNETIC)
- 3. PER MIL-C-50, ZINC PLATED PER QQ-Z-325 TYPE II, CLASS 3
- 4. YELLOW CHROMATE.

103 R.  
 .037  
 TYP



ZONE	REV	DESCRIPTION	DATE	APPROVED
O	RELEASED, WAS SQCG-251		5/18/71	AS
A	432 MAX. WAS .377 MAX. ECN B-257		6/28/71	AS
B	REV. PER ECN B-774		11/22/71	AS
C	REV. PER ECN C-321		5/15/73	AS
D	REV. PER ECN C-482		7/19/73	AS
E	REV PER ECN D-1444		6-25-75	AS
F	REV PER ECN - 584		4-10-80	AS
G	REV PER ECN - 0755		10-1-84	AS
H	REV PER ECN - 0755		5/7/85	AS
I	OBSELETE - 2 PER ECN 1430			

1. THIS RECEPTACLE ACCEPTS SIZE 20 SOCKET CONTACTS.
2. MAXIMUM WIRE INSULATION RECOMMENDED FOR USE WITH THIS RECEPTACLE IS .068 DIA. MAX.
3. RETENTION TINES ARE AN INTEGRAL PART OF INSERT.
4. INSERTION/REMOVAL TOOL AMP 91067-2 IS RECOMMENDED FOR USE WITH THESE PARTS.
5. THIS CONNECTOR CONFORMS TO AMP SPEC 108-10020.

UNLESS OTHERWISE SPECIFIED, DIMENSIONS ARE IN INCHES TOLERANCES ON 1 DECIMALS ±.005 ANGLES ± MATERIAL SEE CALLOUT

CONTRACT NO. 5/18/71  
 DR 10/18/71  
 NAME: [Signature]  
 DATE: 5/24/71  
 NET: [Signature]  
 DATE: 5/24/71  
 DESIG APPD: [Signature]  
 OTHER APPD:

AMP INCORPORATED  
 HARRISBURG, PENNSYLVANIA  
 NAME: AMP  
 CONNECTOR, RECEPTACLE, HDP/20, SIZE 1, 9 POS. (WITH FLOATING BUSHINGS)  
 SIZE: C  
 CODE IDENT NO: 00779  
 NUMBER: 205439  
 SCALE: 1:1  
 SHEET: 1 OF 1