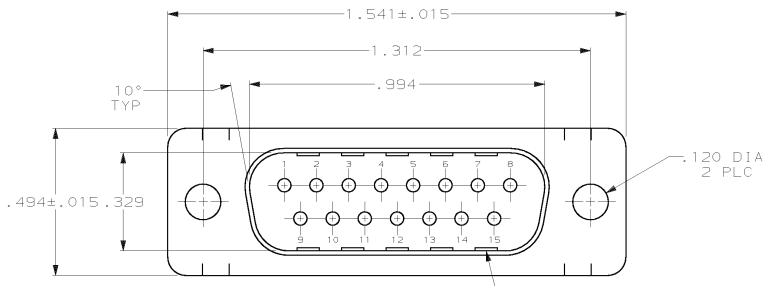
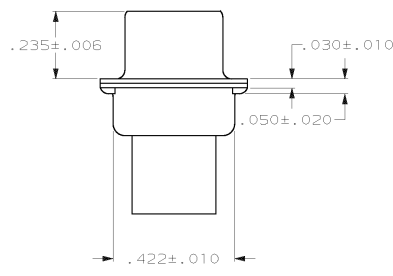
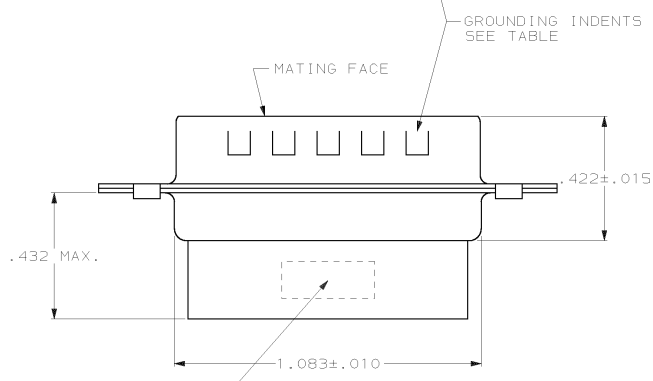


THIS DRAWING IS UNPUBLISHED. RELEASED FOR PUBLICATION .19
 © COPYRIGHT 19 BY AMP INCORPORATED. ALL INTERNATIONAL RIGHTS RESERVED.

LOC	DIST	P	F	ZONE	LTR	DESCRIPTION	DATE	APPR
GP	00				E3	REV. & REDRAWN ECN-1119	7-18-85	SW
					F	REVISED PER ECN B06802	12/13/92	RM
					F1	ADDED -6 PER NPR 4837	06/14/93	SB
					G	0B5 -7 PER EC 0420-143-96	29 OCT 97	SB
					H	REV PER EC 00E0-0002-01	09 JAN 02	JR
					J	REV PER EC 0513-0196-03	29 JUL 03	JR



- CONNECTOR ACCEPTS SIZE 20 DF PIN CONTACTS, RETENTION TINES ARE AN INTEGRAL PART OF INSERT.
- CONNECTOR COMPLIES WITH 108-40005 WHERE APPLICABLE. NYLON, FLAME RETARDANT, 94V-0 RATED, GLASS FILLED, BLACK. STEEL PER ASTM A109.
- ZINC PLATED PER ASTM B633; TYPE II; CLASS SC1; YELLOW CHROMATE.
- TIN OR TIN-LEAD PLATED OVER COPPER UNDERPLATE.
- TIN PLATED OVER COPPER UNDERPLATE.



"AMP", PART NO. & DATE CODE, MARKED IN AREA INDICATED, ON FAR SIDE

OBSOLETE	STANDARD	△	NO	205206-8
	SMALL PACK	△	NO	205206-6
	STANDARD	△	YES	205206-3
	STANDARD	△	NO	205206-2
	STANDARD	△	NO	205206-1

DO NOT SCALE PRINT. UNLESS SPECIFIED DIMENSIONS IN INCHES TOLERANCES ON :	DR 7-19-85 5. MELDON	AMP AMP Incorporated Harrisburg, PA 17105-3608		
2 PLC DEC ± "	CHK 7-29-85 J. GERACE <td colspan="3">NAME</td>	NAME		
3 PLC DEC ± .005	APPD 7-29-85 L. BREKOSKY <td colspan="3">PLUG CONNECTOR, SIZE 2, 15 POSITION, AMPLIMITE™ HDP</td>	PLUG CONNECTOR, SIZE 2, 15 POSITION, AMPLIMITE™ HDP		
ANGLES ± 2°	APPD 7-31-85 V. KUMAR <td>SIZE</td> <td>CAGE CODE</td> <td>DRAWING NO</td>	SIZE	CAGE CODE	DRAWING NO
MATERIAL	PRODUCT SPEC	©	00779	©-205206
MOLDED PARTS: △3	APPLICATION SPEC	WEIGHT	SCALE	SHEET
SHELLS: △4	-	-	NT5	1 OF 1
FINISH	SHELLS: SEE TABLE	CUSTOMER DRAWING		

THIS DRAWING IS A CONTROLLED DOCUMENT FOR AMP INCORPORATED. IT IS SUBJECT TO CHANGE AND THE CONTROLLING ENGINEERING ORGANIZATION SHOULD BE CONTACTED FOR THE LATEST REVISION.