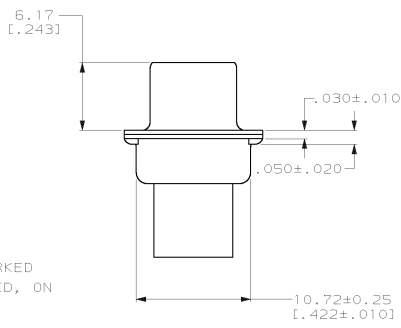
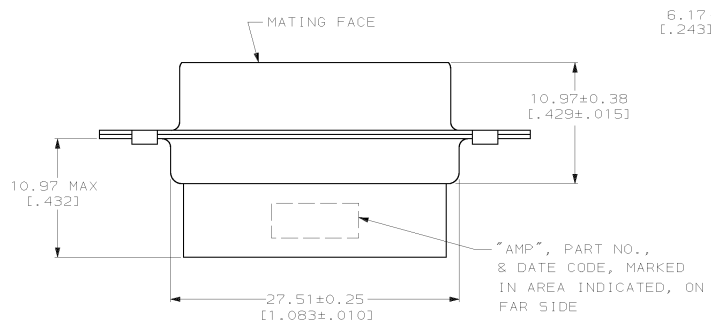


1. CONNECTOR ACCEPTS SIZE 20 DF SOCKET CONTACTS, RETENTION TINES ARE AN INTEGRAL PART OF INSERT.
  2. CONNECTOR COMPLIES WITH 108-40005 WHERE APPLICABLE.
- ▲ NYLON, FLAME RETARDANT, 94V-0 RATED, GLASS FILLED, BLACK. STEEL PER ASTM A109.
  - ▲ ZINC PLATED PER ASTM B633; TYPE 11; CLASS SC1; YELLOW CHROMATE.
  - ▲ TIN PLATED PER MIL-T-10727 OVER COPPER PER MIL-C-14550.



SUPERSEDED BY 205205-1	SMALL PACK	▲	205205-5
	STANDARD	▲	205205-2
	STANDARD	▲	205205-1
PACKAGING TYPE		SHELL FINISH	PART NO

THIS DRAWING IS A CONTROLLED DOCUMENT.		DATE	WELDON	7-19-99	AMP Incorporated Harrisburg, PA 17105-3608
DESIGNER	SYNOPSIS	CHK	GERACE	7-29-99	
DATE	REVISED	APPD	WELDON	7-31-99	
DIMENSIONS mm (INCHES)	OPERATING CONDITIONS	PRODUCT SPEC	APPL. SPEC	APPL. SPEC	NAME <b>RCPT CONNECTOR, SIZE 2, 15 POSN, AMPLIMITE™, HDP</b>
MATERIAL	MOLDED PARTS	FINISH	REWORK	REWORK	SIZE / CASE CODE / DRAWING NO A2/00779/C-205205
SHELLS	SHELLS	SEE TABLE	CUSTOMER DRAWING	SCALE	SHEET 1 OF 1 REV H