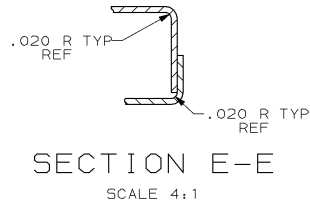
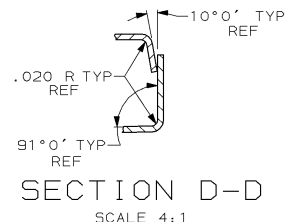
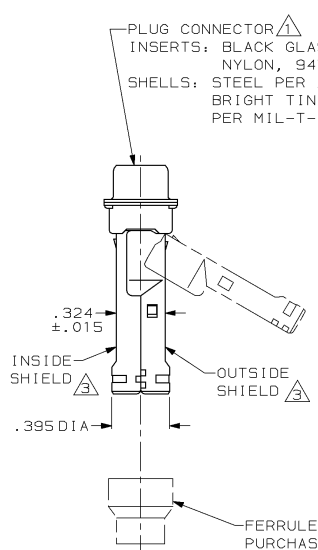
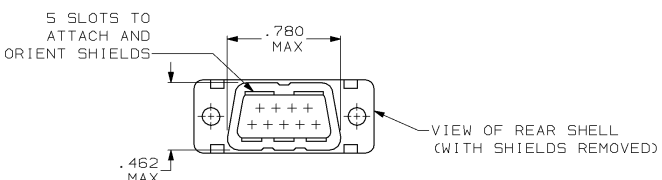
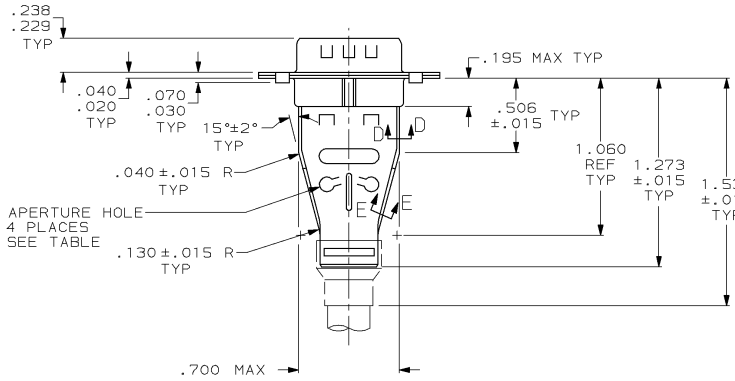
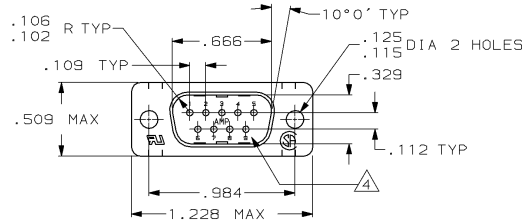


THIS DRAWING IS UNPUBLISHED. RELEASED FOR PUBLICATION .19
 © COPYRIGHT 19 BY AMP INCORPORATED. ALL INTERNATIONAL RIGHTS RESERVED.

LOC	DIST	P	F	ZONE	LTR	REVISIONS	DATE	APPD
BD	48					A REDRAWN	5-24-90	-
						B REV PER ECN B05049	7-2-91	TMS
						C ADDED-2 NPR3889 WAS 91-5788-2-1	01/02/92	TMS
						D OBS -2 PER ECN B05856	01/17/92	TMS
						E REACTIVATED -2 PER NPR 3975	02/14/92	TMS
						F ADDED -3 PER NPR 4263	07/10/92	SB
						G OBS -2,-3 PER EC 0020-724-95	08 MAR 95	JCS



OBsolete		
OBsolete	WITHOUT	747522-2
	WITH	747522-1
	APERTURE HOLE	PART NUMBER

- 1. PLUG ACCEPTS SIZE 20 PIN CONTACTS (CONTACTS MUST BE ORDERED SEPARATELY).
- 2. ALL PARTS SHIPPED UNASSEMBLED, EACH PART INDIVIDUALLY BULK PACKED.
- 3. SHIELDS: MATERIAL-.020 THICK STEEL, TIN PLATED PER MIL-T-10727.
- 4. RAISED CAVITY IDENTIFICATION AND AMP TRADEMARK.
- 5. SEE RESTRICTED CUSTOMER DRAWING 747522-3.

DO NOT SCALE PRINT. UNLESS SPECIFIED DIMENSIONS IN INCHES TOLERANCES ON :		DR 5-24-90 J GALLUCCI BG		AMP AMP INCORPORATED Harrisburg, Pa. 17105	
2 PLC DEC ± .005		CHK J. McCLINTON 8-31-90			
3 PLC DEC ± .005		APPD B. TAYLOR 9-4-90		NAME	
ANGLES ± 0°30'		APPD J. ASSINI 9-4-90		KIT, PLUG, SHIELDING HARDWARE, SIZE 1, 9 POSN, HDP-20, AMPLIMITE™	
MATERIAL SEE CALL OUT 3		PRODUCT SPEC -		SIZE C FSCM NO 00779 DRAWING NO 747522	
FINISH SEE CALL OUT 3		APPLICATION SPEC -		SCALE 2:1 SHEET 1 OF 1	
WEIGHT -					

CUSTOMER DRAWING